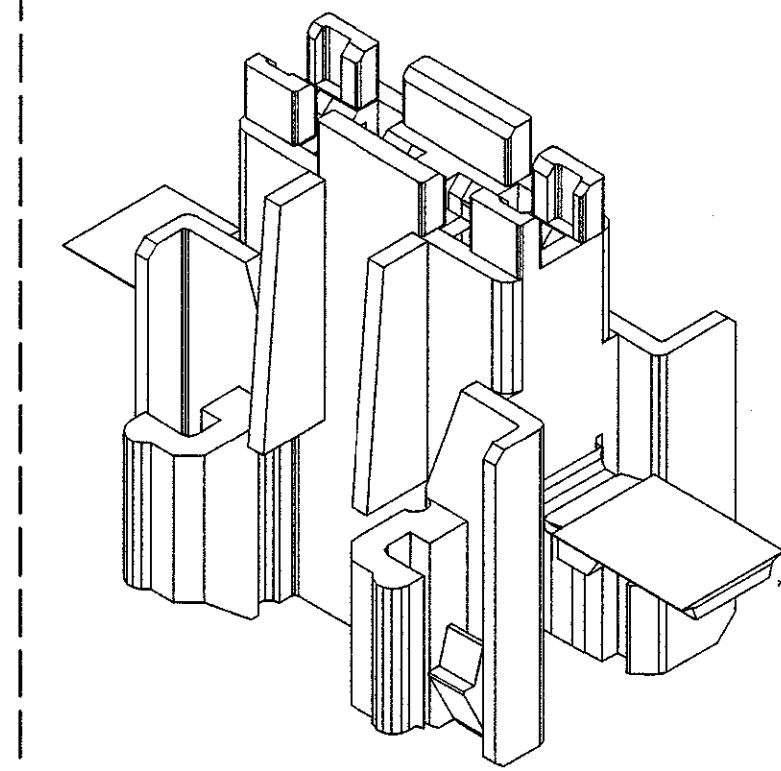
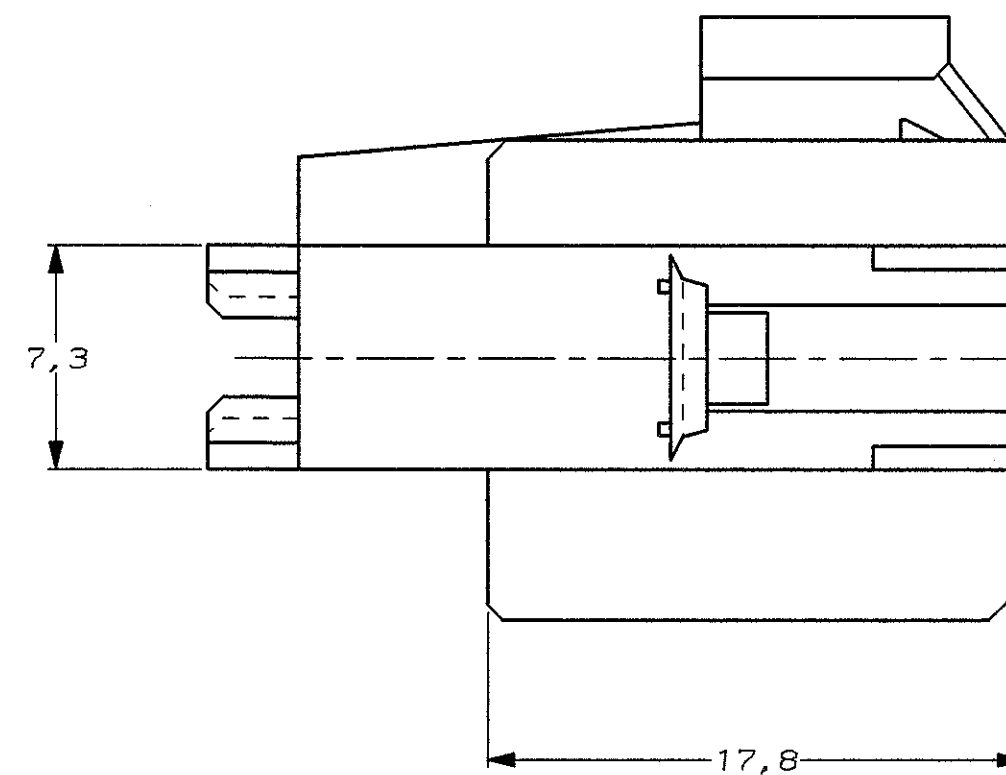
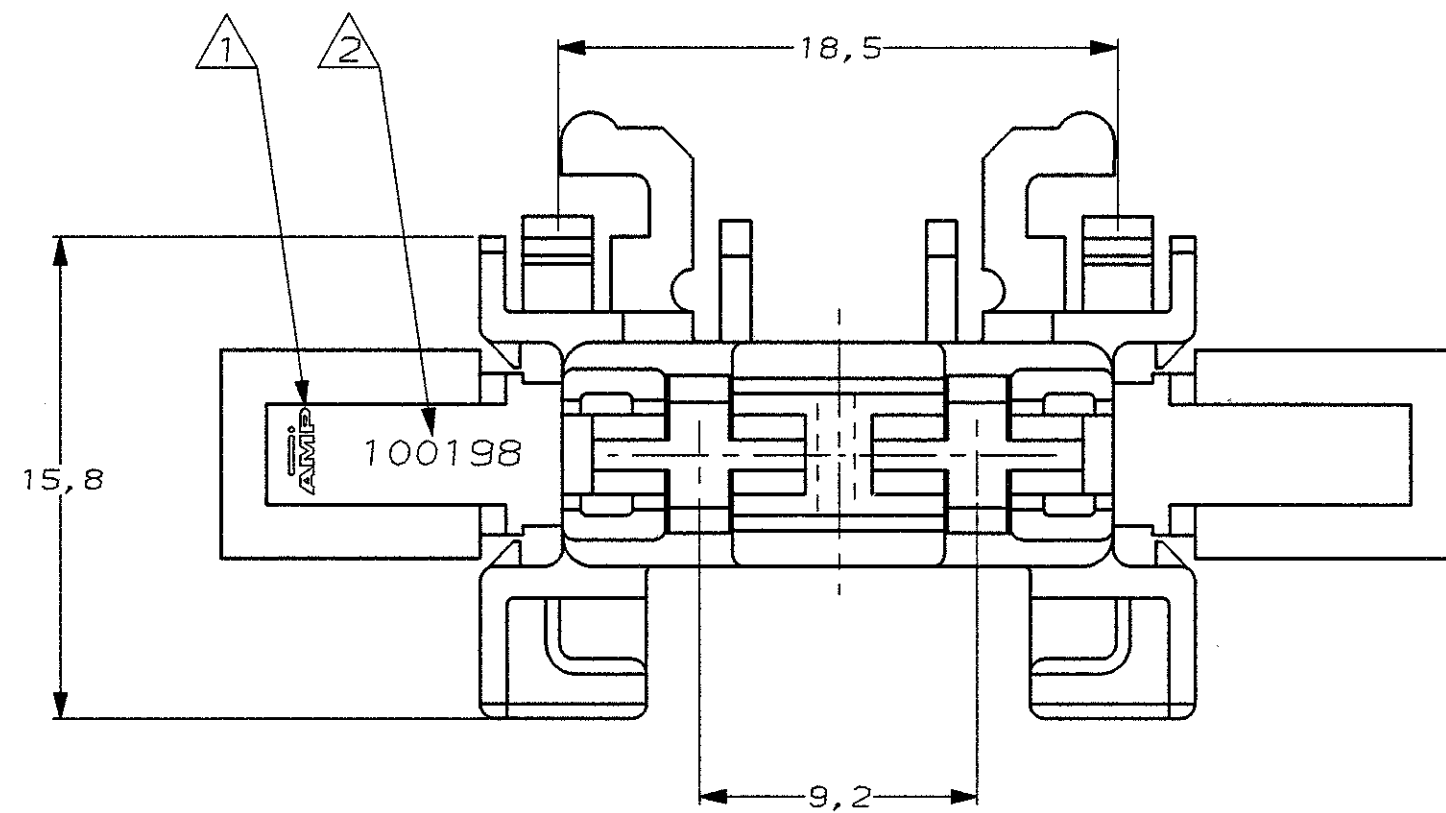


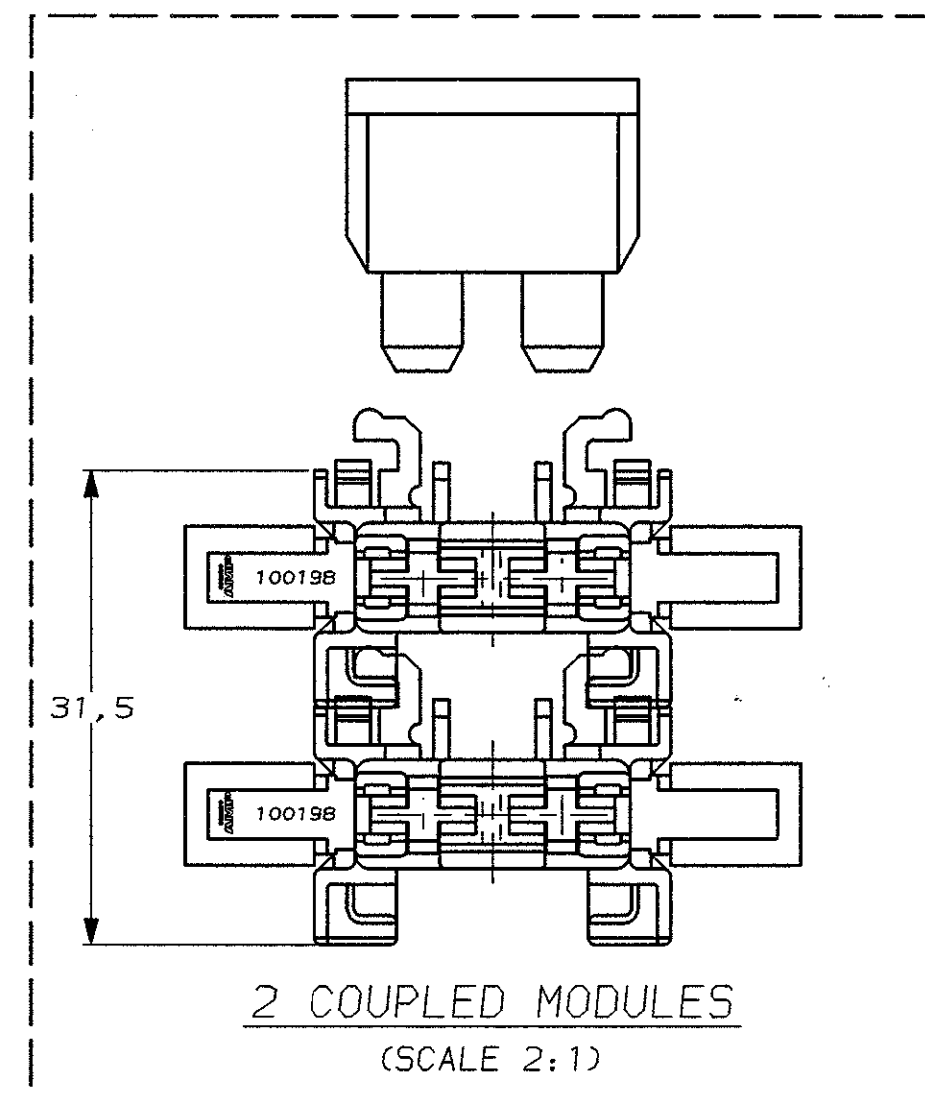
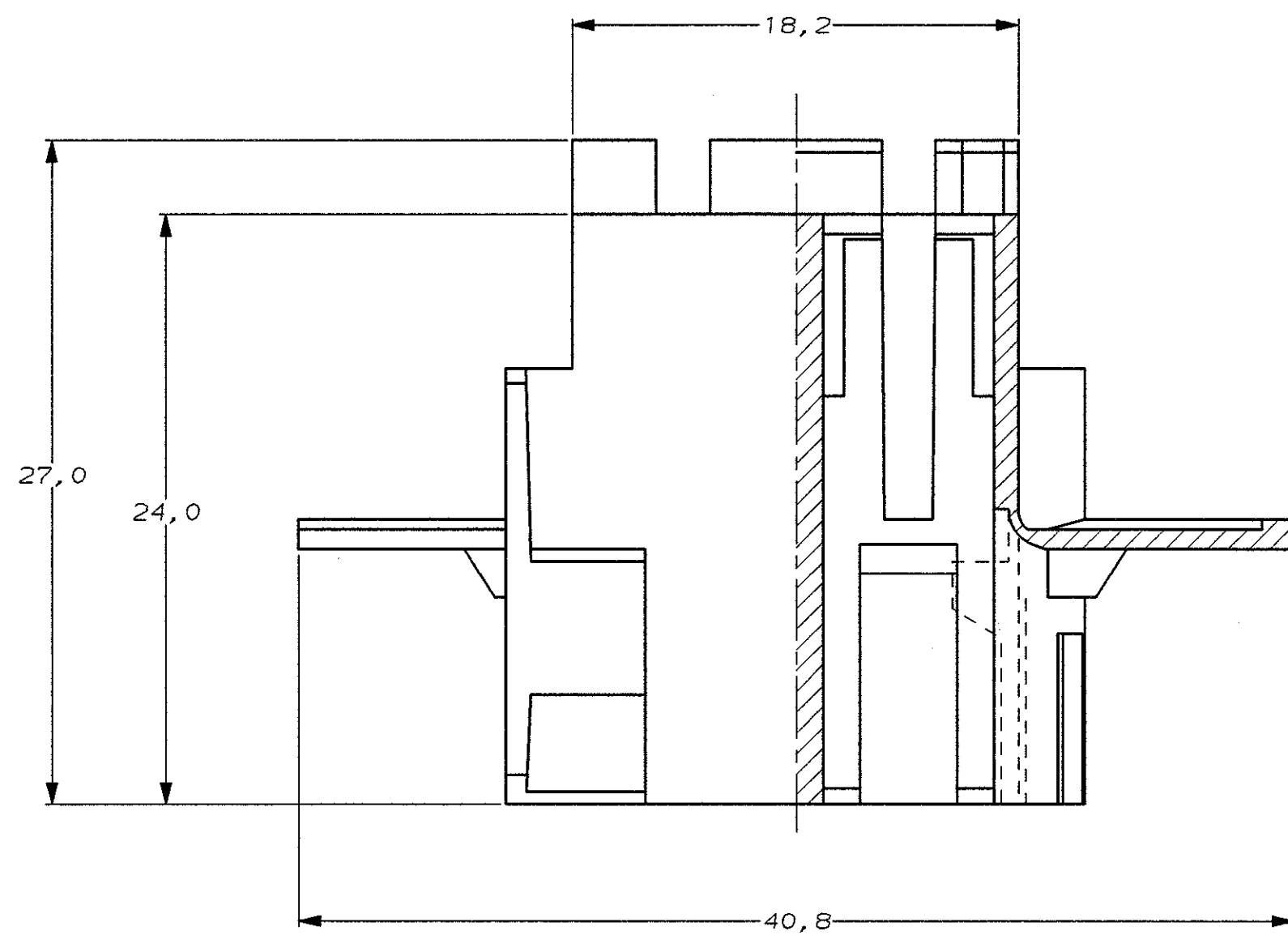
DO NOT SCALE
DIMENSIONS IN mm

METRIC

THIRD ANGLE
PROJECTION



DO NOT SCALE



NOTES:

- △ AMP TRADE MARK
- △ AMP PN. IDENTIFICATION

		BLACK	PA 6/6	100198-1
		FINISH	MATERIAL	PARTNUMBER
-	-	-	-	-
CUSTOMER DRAWING				FOR REFERENCE ONLY WILL NOT BE UPDATED
© COPYRIGHT 19- BY AMP-HOLLAND B.V.				
ALL INTERNATIONAL RIGHTS RESERVED. AMP PRODUCTS MAY BE COVERED BY U.S. AND FOREIGN AND/OR PATENTS PENDING.				
THIS DRAWING IS UNPUBLISHED				
RELEASED FOR PUBLICATION				
D	EH-0175-95	JvL	RotB	13 FEB 95
C	EH-0586-93	JvL	RotB	01 SEP 93
B	H-8646	LvdH	RotB	20 JUN 91
A	H-8646	RotB	RotB	19 DEC 90
LTR.	REVISION RECORD	DR.	CHK.	DATE
DR. : L.V.D.HEIJDEN	CHK. : R.o.t.BERG	APP. : L.V.SOEST	DWG.No.	REV.LTR.
DATE: 20 JUN 1991	DATE: 20 JUN 1991	DATE: 20 JUN 1991	100198	D
			SHEET	1 OF 1
			A2	