

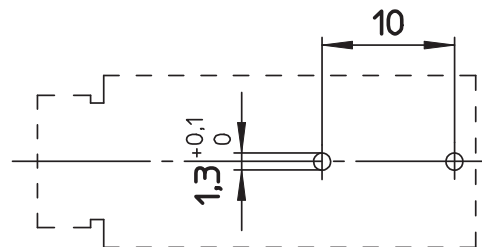
1

2

3

4

5



PCB LAYOUT - COMPONENT VIEW

## TECHNICAL CHARACTERISTICS

MATERIAL  
 INSULATOR: PBTG15  
 FLAMMABILITY RATING: UL94V0  
 COLOR: BLACK  
 CONTACT / PLATING: COPPER ALLOY / Ni+Sn  
 FUSE CONTACT: PHOSPHOR BRONZE / Ni+Sn  
 SPRING: INOX STEEL

ENVIRONMENTAL  
 OPERATING TEMPERATURE: -30°C UP TO +120°C  
 COMPLIANCE: LEAD FREE AND ROHS

ELECTRICAL	UL	VDE
CURRENT RATING:	10A	10A
WORKING VOLTAGE:	250VAC	250VAC
WITHSTANDING VOLTAGE:	1,5KV	3KV
RATED POWER ACCEPTANCE:	---	2,5W
PROTECTION CLASS:	II	
CONTACT RESISTANCE:	5/10 mΩ MAX	

## STANDARD

UL CERTIFIED: E157417      CAT. N°: PTF/50  
 IEC CERTIFIED: 120170      TYPE: PTF/50

## MECHANICAL

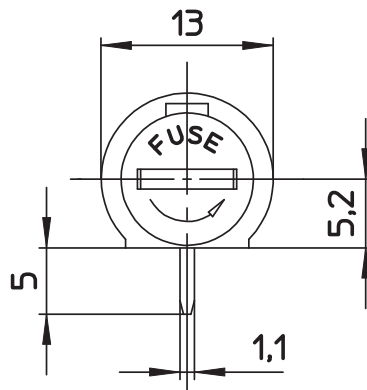
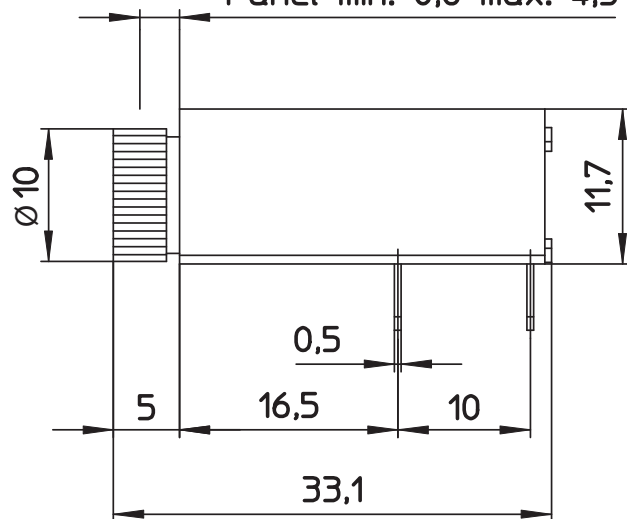
FUSE-LINK: 5x20 mm  
 PROTECTION RATE: IP20  
 SHOCKSAFE CATEGORY: PC2

## SOLDERING

JEDEC LEAD FREE WAVE SOLDERING

PACKAGING  
 BOX

Panel min. 0,8 max. 4,5



RoHS Compliant

G				PROJECTION: 	GENERAL TOLERANCE  ±0,1		DESCRIPTION: SHOCKSAFE FUSEHOLDERS - PCB - TURN'N LOCK COVER - THT - WR-FSH	SIZE <b>A4</b>
F								
E								
D								
C	30-JUN-15	SHOCKSAFE	AK	APPROVAL: QL	UNIT: MM	WERI PART NO: 696 310 001 002		
B	01-APR-15	PROTECTION RATE	QL		SCALE:			
A	11-SEP-14	PDF	AK		SHEET: 1/2			
REV	DATE	FILE	BY		DRAW: AK			

1

2

3

4

5

## Cautions and Warnings:

This electronic component is designed and developed with the intention for use in general electronics equipments.

Before incorporating the components into any equipments in the field such as aerospace, aviation, nuclear control, submarine, transportation, (automotive control, train control, ship control), transportation signal, disaster prevention, medical, public information network etc. where higher safety and reliability are especially required or if there is possibility of direct damage or injury to human body, Würth Elektronik must be asked for a written approval.

In addition, even electronic component in general electronic equipments, when used in electrical circuits that require high safety, reliability functions or performance, the sufficient reliability evaluation-check for the safety must be performed before by the user before usage.

A

B

C

RoHS Compliant

G				PROJECTION: 	GENERAL TOLERANCE .X = +/- 0.2 .XX = +/- 0.15		
F							
E							
D							
C				APPROVAL: JC	UNIT: MM	DESCRIPTION: DISCLAIMER	SIZE <b>A4</b>
B					SCALE:		
A	10-SEP-14	PDF	QL		SHEET: 2/2	WERI PART NO: DISCLAIMER	
REV	DATE	FILE	BY		DRAW: QL		

D