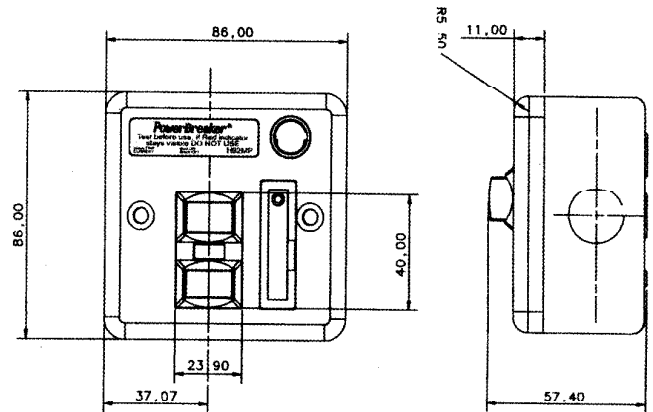
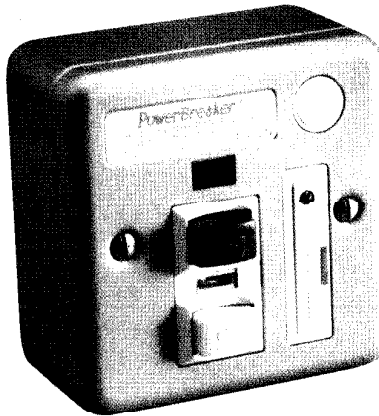


PowerBreaker® H92M Metalclad RCD Fused Spur

The PowerBreaker Metalclad H92M RCD Fused Spur Unit gives added protection against the risk of electrocution by tripping if a leakage to earth is detected. It is suitable for use in areas where a spur outlet is required with RCD protection e.g. garages, workshops and where water is present, e.g. hand dryers in public areas.

- Complies with BS7288, BS1363
- Fuseholder with - Securing screw
- Padlock-off facility

TECHNICAL INFORMATION



DESCRIPTION	H92M
Voltage	230V AC~50Hz
Current rating	13A max
Rated trip current	30mA
Trip speed	<40mS
Cable capacity	6mm ² max
Cable sheath diameter	8mm (maximum outside diameter)
Operating temperature	-5° C to +40° C
Compliance	BS 7288, BS 1363
Contact status indication	on/tripped by mechanical flag

PRODUCT REFERENCE:

Without neon	H92MP-C
With neon	H92MN-C

GREENBROOK
ELECTRICAL

7 Astra Centre, Harlow, Essex CM20 2BG
Tel: 01279 772 772 Fax: 01279 422 007
Email: sales@greenbrook.co.uk Web: www.greenbrook.co.uk

