

D-SUB panel mounting frames - VS-09-A BK - 1658079

Please be informed that the data shown in this PDF Document is generated from our Online Catalog. Please find the complete data in the user's documentation. Our General Terms of Use for Downloads are valid (<http://phoenixcontact.com/download>)



D-SUB panel mounting frame, shell size 1, IP67 degree of protection, black

Image shows the version in gray



Key Commercial Data

Packing unit	5 pc
Minimum order quantity	5 pc
GTIN	 4 046356 144322
Weight per Piece (excluding packing)	8.65 g
Custom tariff number	85369010
Country of origin	Germany
Note	Made to Order (non-returnable)

Technical data

General data

Pollution degree	2
------------------	---

Classifications

eCl@ss

eCl@ss 4.0	27140816
eCl@ss 4.1	27260701
eCl@ss 5.0	27260701
eCl@ss 5.1	27260701
eCl@ss 6.0	27261203
eCl@ss 7.0	27440202

ETIM

ETIM 2.0	EC000437
----------	----------

D-SUB panel mounting frames - VS-09-A BK - 1658079

Classifications

ETIM

ETIM 3.0	EC000437
ETIM 4.0	EC000437
ETIM 5.0	EC002310

UNSPSC

UNSPSC 6.01	31261501
UNSPSC 7.0901	31261501
UNSPSC 11	31261501
UNSPSC 12.01	31261501
UNSPSC 13.2	31261501

Accessories

Accessories

Protective cover

D-SUB protective cover - VS-09-SD - 1887086

D-SUB protective cover, shell size 1, IP54 degree of protection, for panel mounting frame and sleeve housing VS-09-...



Shroud

D-SUB EMC shroud - VS-09-A-EMV-S - 1688463

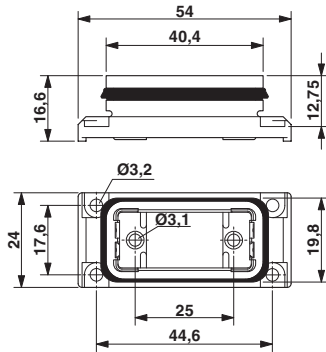
D-SUB EMC shroud, for panel mounting frame VS-09-..., shell size 1, shielded



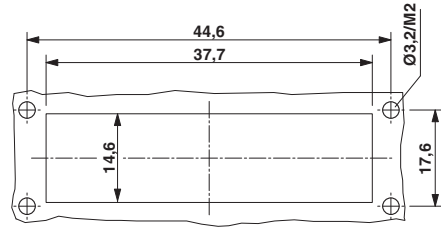
Drawings

D-SUB panel mounting frames - VS-09-A BK - 1658079

Dimensional drawing



Dimensional drawing



Panel cutout

D-SUB panel mounting frame