

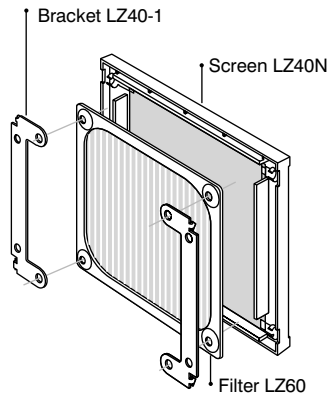
# Accessories

In addition to the accessories and assembly parts listed in this catalogue, PAPST also supplies numerous special parts for fan operation. The sales experts at PAPST will be happy to assist you in your enquiries concerning fan assembly and application.

| Finger Guards | Fan Series |
|---------------|------------|
| LZ212         | 8300       |
| LZ260         | 8300       |
| LZ261         | 8400       |
| LZ212         | 3300       |
| LZ260         | 3300       |
| LZ210         | 9000       |
| LZ40N         | 9000       |
| LZ40-1        | 9000       |
| LZ60          | 9000       |
| LZ210         | 4000       |
| LZ40N         | 4000       |
| LZ40-1        | 4000       |
| LZ60          | 4000       |
| LZ212         | 4300       |
| LZ260         | 4300       |
| LZ210         | 5100       |
| LZ210         | 5600       |
| LZ210         | 5200       |
| LZ210         | 5900       |
| LZ210         | 7000       |
| LZ370         | VARIOFAN   |

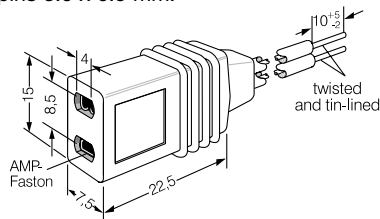
## LZ40N / LZ40-1 / LZ60

LZ40N of black, fibre-glass reinforced plastic with inserted aluminium wire mesh LZ60. Mounting with brackets LZ40-1.



## LZ120

Connecting cable with moulded plug, (PVC, black). Stranded wires with multi-core cable ends. For all types of fan with flat pins 3.0 x 0.5 mm.



| Type    | Cable length        | Pins   |
|---------|---------------------|--------|
| LZ120   | 610 mm              | 0,5 mm |
| LZ126   | 1000 mm             | 0,5 mm |
| LZ130-1 | 610 mm, UL approved | 0,5 mm |

Additional versions are available on special order

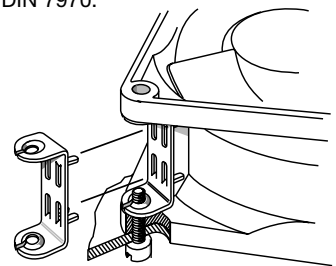
## LZ210

Screw clip of hardened steel. For mounting fans with threaded pin 6-32 UNC and/or 3.5 DIN 7970.



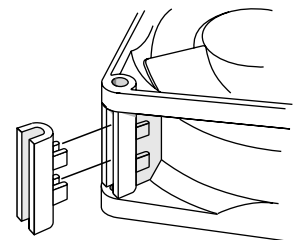
## LZ212

Screw clip of rust-resistant spring steel. For mounting fans with threaded pin 3.5 DIN 7970.



## LZ260 / LZ261

Spacer of fibreglass reinforced plastic. For screw mounting over both fan mounting flanges.



## LZ370

Temperature sensor for speed-controlled fan operation. Temperature range 30...50 °C.



Required performance date:

|                  |              |
|------------------|--------------|
| R <sub>25</sub>  | = 100 KΩ ±5% |
| B-value          | = 4190 ± 2%  |
| P <sub>max</sub> | = 0,25 W     |