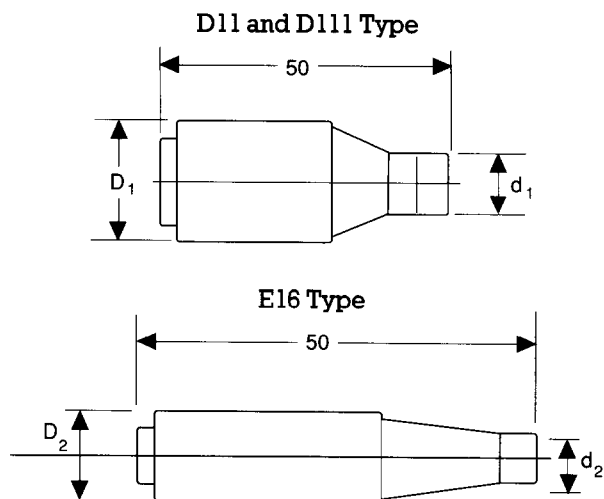


B14649

Dimensions



Rated current (A)	D11 and D111		E16	
	d ₁ (mm)	D ₁ (mm)	d ₂ (mm)	D ₂ (mm)
2	6	22	6	12
4	6	22	6	12
6	6	22	6	12
10	8	22	8	12
16	10	22	10	12
20	12	22	12	12
25	14	22	14	12
35	16	27	-	-
50	18	27	-	-
63	20	27	-	-

Health and Safety at Work Act

The fuses referred to in this data sheet are manufactured and tested to the specifications indicated, but must be correctly installed by competent personnel to provide protection within the capability of the stated ratings and related performance characteristics.

Current rating	Type	RS stock no.
2A	D11	413-620
4A	D11	413-636
6A	D11	413-642
10A	D11	413-658
16A	D11	413-664
20A	D11	413-670
25A	D11	413-686
35A	D111	413-743
50A	D111	413-759
63A	D111	413-765
2A	E16	417-818
4A	E16	417-824
6A	E16	417-830
10A	E16	417-846
16A	E16	417-852
20A	E16	417-868
25A	E16	417-874

D type fuseholders

General

Manufactured from ceramic material the fuseholders are available in three sizes to suit either D11, D111 or E16 fuse types.

The D11 and D111 types are available in either single or three pole versions and incorporate a fitted clip for symmetrical DIN rail mounting.

The E16 type is only available in the single pole format and is suitable for back panel mounting.

All D11 and D111 fuseholders are supplied with the appropriate range of ceramic base inserts that are designed to prevent a fuse of an incorrect size being refitted into the holder.

Cable connection to all fuseholders is via self rising clamp type terminals.

A polycarbonate fuseholder shield is supplied with all holders except the single pole D111 and the E16 type.

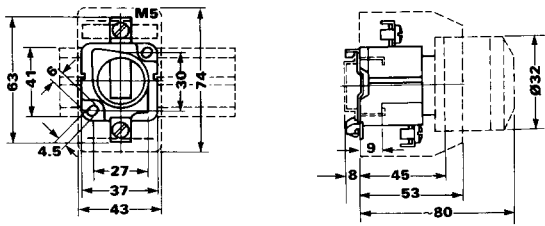
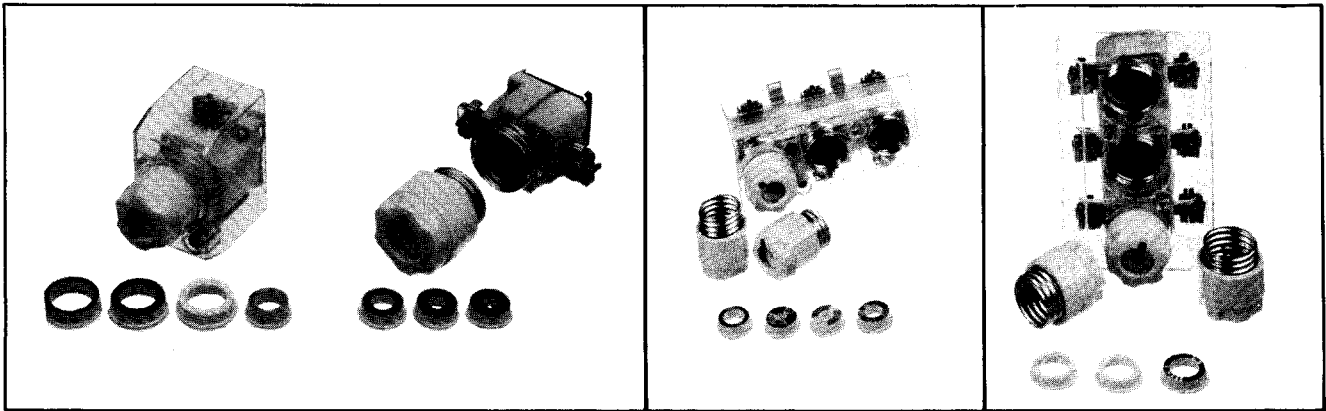
Features

- DIN rail mounting (except E16 type)
- Visual indication of fuse state via inspection window in fuse cap
- Integral fuse test position in cap
- Compact size.

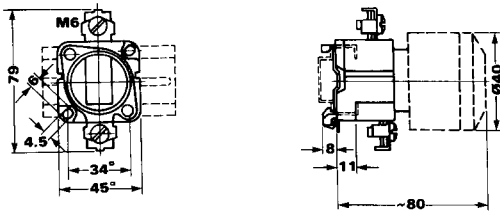
Wiring

Connection to the fuseholders is via clamp terminals. The mains input side of the supply should be connected to the **output fuse base** terminal and **not** the terminal connected to the ES cap thread.

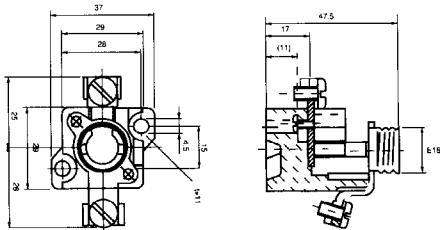
Type	Screw cap thread size	Maximum fuse rating	Size	RS stock no.
Single pole				
D11	E27	25A	1	415-402
D111	E33	63A	2	415-418
E16	E16	25A	3	417-802
Three pole				
D11	E27	25A	4	326-857
D111	E33	63A	5	326-863



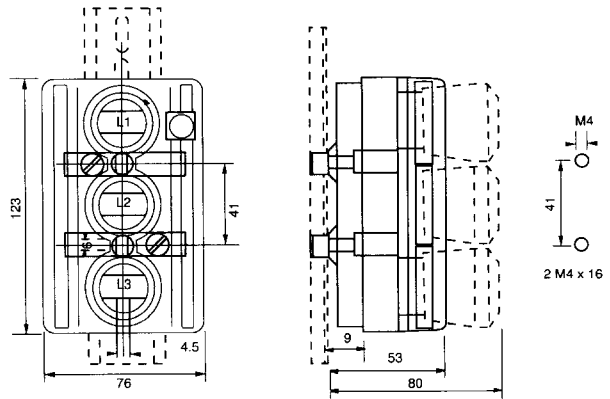
SIZE 1 WITH TERMINAL COVER FITTED



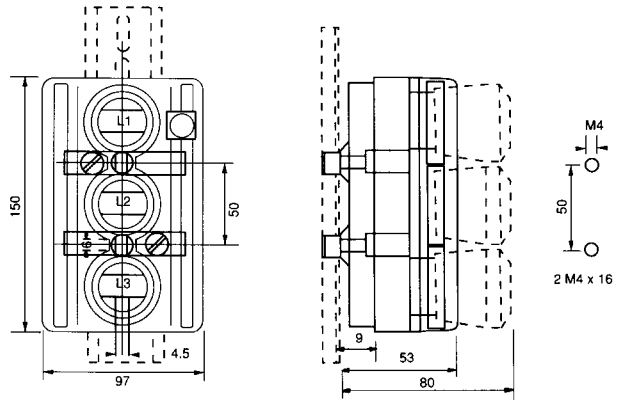
SIZE 2 WITHOUT TERMINAL COVER



SIZE 3 WITHOUT TERMINAL COVER



SIZE 4 WITH TERMINAL COVER FITTED



SIZE 5 WITH TERMINAL COVER FITTED

NEOZED fuses

General

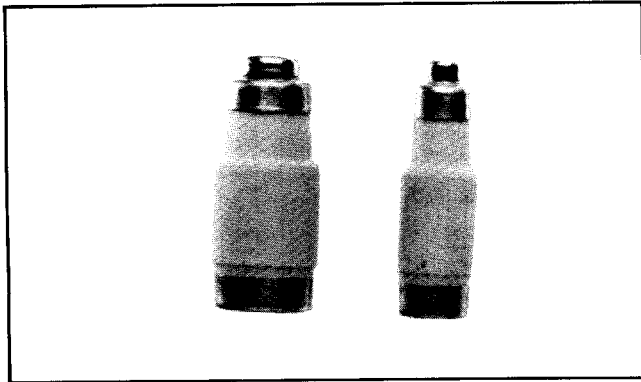
The D01 and D02 sizes of NEOZED delayed acting miniature 'bottle' fuses provide a compact method of fusing machinery and equipment.

Used throughout Europe and Scandinavia as an industrial HRC fuselink the NEOZED system has lower internal losses than its 'D' type counterpart and can therefore be mounted closer together in control enclosures.

The RS range of NEOZED fuses has a maximum voltage rating of 440V and is approved by Lloyd's Register of Shipping and Det Norske Veritas for use in marine applications.

Features

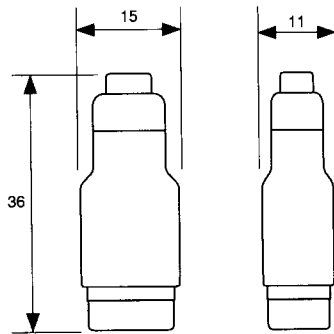
- Very low internal wattage loss
- Breaking capacity 50kA
- Non ageing continuous load capacity
- Miniature compact construction (max length 36mm)
- Visual indication of fuse state via coloured disc on fuse end cap
- No specialist tools required to change fuse
- Fuse holders available for both sizes of fuses in a switchable interlocked format.



Health and Safety at Work Act

The fuses referred to in this data sheet must be correctly installed by competent personnel to provide protection within the capability of the stated ratings.

Dimensions



Current rating	Type	RS stock no.
2A	D01	415-935
4A	D01	415-941
6A	D01	415-957
10A	D01	415-963
16A	D01	415-979
20A	D02	415-985
25A	D02	415-991
35A	D02	416-001
50A	D02	416-017
63A	D02	416-023

