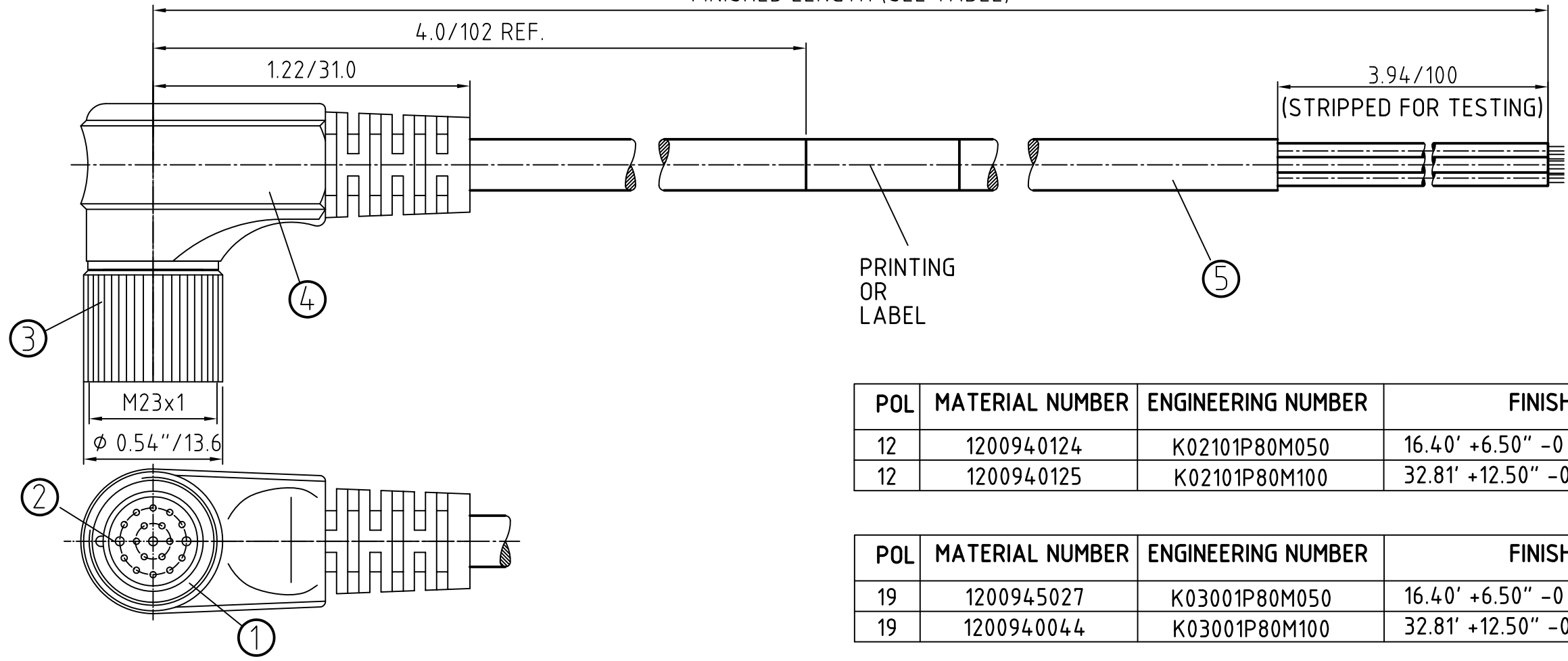


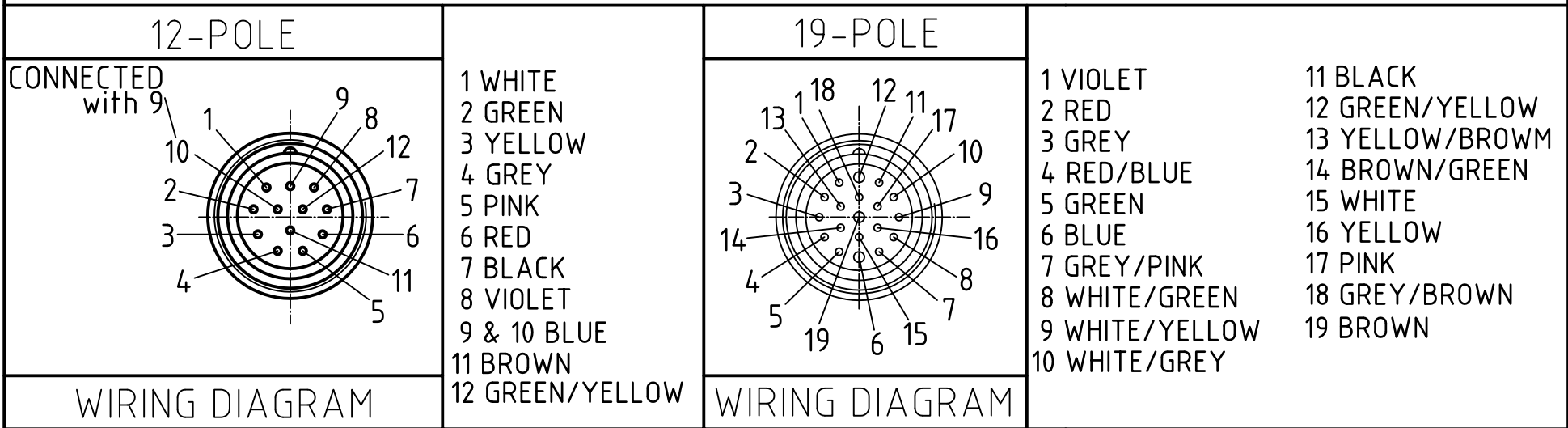
FINISHED LENGTH (SEE TABLE)



POL	MATERIAL NUMBER	ENGINEERING NUMBER	FINISHED LENGTH
12	1200940124	K02101P80M050	16.40' +6.50" -0 [5.0M +165.1 -0]
12	1200940125	K02101P80M100	32.81' +12.50" -0 [10.0M +317.5 -0]

POL	MATERIAL NUMBER	ENGINEERING NUMBER	FINISHED LENGTH
19	1200945027	K03001P80M050	16.40' +6.50" -0 [5.0M +165.1 -0]
19	1200940044	K03001P80M100	32.81' +12.50" -0 [10.0M +317.5 -0]

FEMALE FACE VIEW



CONNECTOR SPECIFICATION:

VOLTAGE RATING	63V AC/DC
AMPERAGE RATING	6 AMPS
PROTECTION CLASS	IP67
OPERATING TEMPERATURE	-25°C TO 90°C
UL CERTIFICATIONS	NOT APPLICABLE
CSA CERTIFICATIONS	NOT APPLICABLE

ITEM	COMPONENT	MATERIAL	FINISH
1	INSERT	POLYURETHANE (PUR)	BLACK
2	CONTACT MATERIAL	COPPER ALLOY	GOLD OVER NICKEL
3	COUPLING NUT	BRASS	NICKEL PLATED
4	OVERMOLD	TPU	BLACK
12 POLE	CABLE 3x0.75 ² /18 AWG	JACKET: PUR	JACKET: BLACK
5	CABLE 8x0.34 ² /22 AWG		
19 POLE	CABLE 3x0.75 ² /18 AWG CABLE 16x0.34 ² /22 AWG		

DESCRIPTION EC NO: WEU2010-0281 DRWN: BBRAUCH 2010/01/19 CHKD: RE APPR: NSTAUDIG 2010/01/25	QUALITY SYMBOLS	GENERAL TOLERANCES (UNLESS SPECIFIED)	DIMENSION STYLE	SCALE	DESIGN UNITS	THIRD ANGLE PROJECTION
	▽ = 0 ∇ = 0		IN/MM	2:1	METRIC	
1	REV	4 PLACES ±---	DRAWN BY	M23 12/19P FEMALE 90		
		3 PLACES ±---	DATE	BLACK PUR/PVC		
1	REV	2 PLACES ±0.05	CHECKED BY	-----		
		1 PLACE ±0.1	DATE	MOLEX INCORPORATED		
1	REV	ANGULAR ± --- °	APPROVED BY	SD-120094-002		
		DRAFT WHERE APPLICABLE MUST REMAIN WITHIN DIMENSIONS	DATE	1 OF 1		
1		SIZE A3	MATERIAL NO.	DOCUMENT NO.	THIS DRAWING CONTAINS INFORMATION THAT IS PROPRIETARY TO MOLEX INCORPORATED AND SHOULD NOT BE USED WITHOUT WRITTEN PERMISSION	