

Technical Data Sheet:	DS960/0516
Product Description	90 degree, swivel brass conduit fitting, external Metric thread
Product Range	ULTRA - Nylon (Metric threads)

FLEXICON

FLEXIBLE CONDUIT SOLUTIONS

Roman Way, Coleshill
Birmingham
B46 1HG

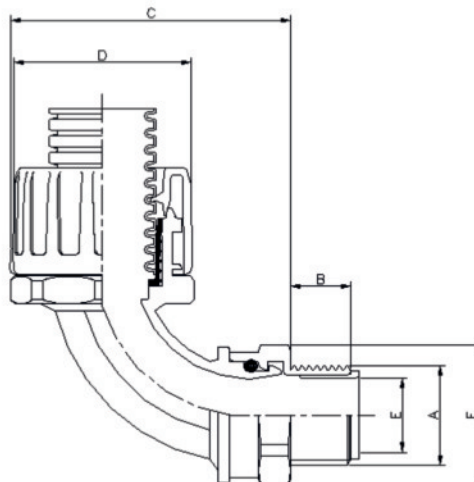
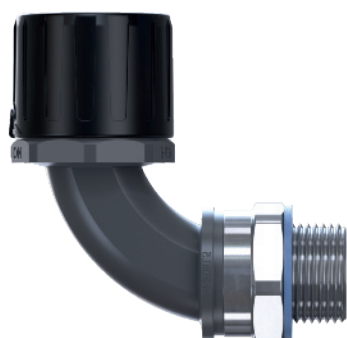
Tel: 00 44 (0)1675 466900

Website: www.flexicon.uk.com



For use with the following Conduits:

FPAS, FPAH, FPR, FPI, FPIH, FPIHR



• FPAU fittings - IP66, IP67, IP68 (2bar), IP69

Material;
Body: Nylon PA66 & Nickel Plated Brass

Integral Conduit Seal:
Polyester elastomer

Face Seal:
High Performance

Colour:
Black & Grey as standard

Fire Performance:
Low Fire Hazard
- Halogen, Sulphur & Phosphorous Free

For full details of fire performance & details of PA66 fittings see data sheet reference DS601/0811

IP Rating:
• IP66, IP67, IP68(2 bar), IP68 (1m for 72hrs), IP69

Applications:
Suitable for knockouts or threaded entries.

Features:

- One piece fitting with Integrated Sealing Technology
- UV Resistant
- Fast Fit - simple push & twist
- Anti vibration & Tamper Resistant
- High tensile strength due to all round retaining teeth
- Can be removed using a screwdriver
- Suitable for fine or coarse pitch conduits
- High IP rating
- Supplied with retained High Performance face seal washer
- Supplied with glass re-inforced PA locknut

Temperature Performance:
-50°C to +135°C

Conduit Size	Part Number	Metric Thread	Dimension (mm)					
			A	B	C	D	E	F (A/C)
13	FPAU13-BM16-90	M16 X 1.5	12	48	24	10.5	22	20
16	FPAU16-BM16-90	M16 X 1.5	12	50	29	10.5	22	20
16	FPAU16-BM20-90	M20 X 1.5	12	52	29	14.0	26	24
21	FPAU21-BM20-90	M20 X 1.5	12	54	32	14.0	26	24
28	FPAU28-BM25-90	M25 X 1.5	12	67	44	19.0	32	29
34	FPAU34-BM32-90	M32 X 1.5	13	75	51	24.5	42	38
42	FPAU42-BM40-90	M40 X 1.5	15	102	63	32.5	55	50
42	FPAU42-BM50-90	M50 X 1.5	17	102	63	39.0	64	58
54	FPAU54-BM50-90	M50 X 1.5	17	107	76	39.0	64	58
54	FPAU54-BM63-90							

Compliance, Approvals & Accreditation;



EN 61386 Classification Available on request

Vibration and Shock resistant to EN 61373 Cat 2

Typical Applications;



Errors, omissions and amendments excepted. As part of continuing product development Flexicon Ltd reserve the right to alter product specifications without prior notice. Data given is correct at time of compilation. Product specification and application data is for guidance only and does not constitute a warranty of any kind, either expressed or implied for Flexicon products or their suitability for a specific purpose. Third party approvals maybe limited to certain sizes within a product range.

Created by; Sarah Currall - Marketing Assistant	Approved by; Ian Gibson - Technical Director	Date; May 2016	Page Number; Page 1 of 1
---	--	--------------------------	------------------------------------