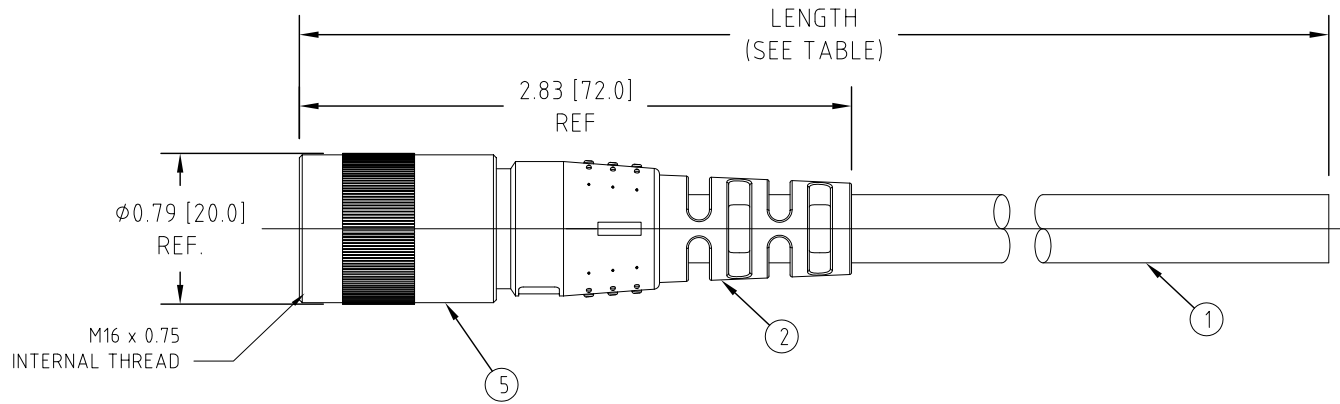
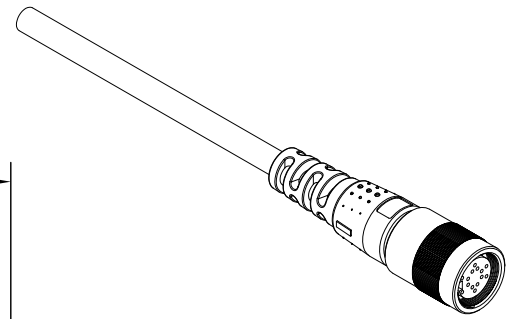


MATERIAL NUMBER	ENGINEERING NUMBER	LENGTH
130023-0056	L04200M78M050	5M +165mm -0 [16.4FT +6.5' -0]

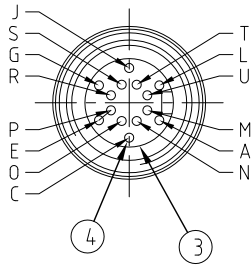


M16 x 0.75
INTERNAL THREAD

WIRING DIAGRAM

P	RED
J	NOT USED
T	NOT USED
S	NOT USED
G	NOT USED
R	WHITE
E	PINK
O	GRAY
C	GREEN
A	BLUE
M	
L	BROWN
U	
N	YELLOW

FACE VIEW



NOTES:

- 1) MATERIALS: SEE TABLE
- 2) FINISHES: SEE TABLE
- 3) ELECTRICAL DATA:
MAX. VOLTAGE: 60 VAC
MAX. CURRENT: 3 AMPS
- 4) ENVIRONMENTAL:
PROTECTION IP67
TEMPERATURE RANGE: -40°C TO 85°C
- 5) ASSEMBLY IS RoHS COMPLIANT.

ITEM	QTY.	DESCRIPTION	MATERIAL	FINISH
5	1	COUPLER	ALUMINUM	
4	10	SOCKET CONTACT	COPPER ALLOY	GOLD
3	1	INSERT	PBT	BLACK
2	1	DVERMOLD	PUR	BLACK
1	1	#22/8 CABLE	PUR JACKET	BLACK

RELEASE SALES DRAWING EC NO: WNA2010-0394 DRWN: LHARTMAN 2010/01/13 CHKD: BWOODMAN APPR: JFMURPHY 2010/01/15	QUALITY SYMBOLS
	$\nabla=0$ $\nabla C=0$
	DESCRIPTION
	REV

GENERAL TOLERANCES (UNLESS SPECIFIED)	
	INCH
4 PLACES	±---
3 PLACES	±--- ±.005
2 PLACES	±0.13 ±.010
1 PLACE	±0.25 ±.020
ANGULAR ±1/2°	
DRAFT WHERE APPLICABLE MUST REMAIN WITHIN DIMENSIONS	

DIMENSION STYLE	
IN/MM	
DRAWN BY	DATE
LHARTMAN	2010/01/13
CHECKED BY	DATE
BWOODMAN	2010/01/15
APPROVED BY	DATE
JFMURPHY	2010/01/15
MATERIAL NO.	
SEE TABLE	
SIZE	
A	

SCALE	DESIGN UNITS	THIRD ANGLE PROJECTION
1:1	INCH	
TITLE		
M16 CONNECTOR 14 POLE FEMALE STRAIGHT #22/8 PUR CABLE		
MOLEX INCORPORATED		
DOCUMENT NO.		SHEET NO.
SD-130023-002		1 OF 1
THIS DRAWING CONTAINS INFORMATION THAT IS PROPRIETARY TO MOLEX INCORPORATED AND SHOULD NOT BE USED WITHOUT WRITTEN PERMISSION		