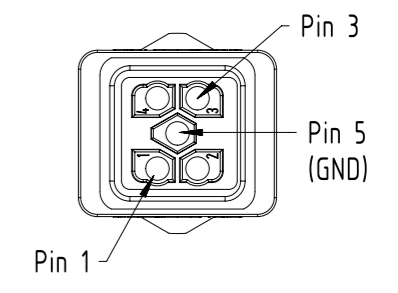
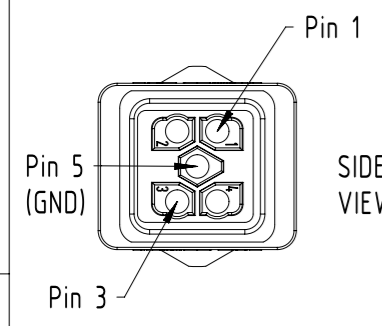


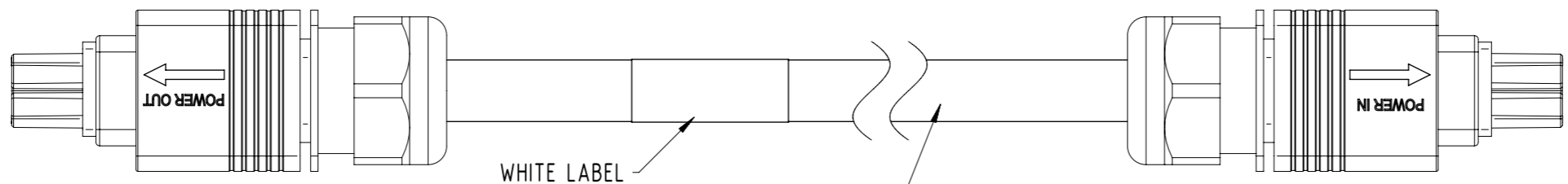
1000 ± 20

(30)



SIDE VIEW

SIDE VIEW



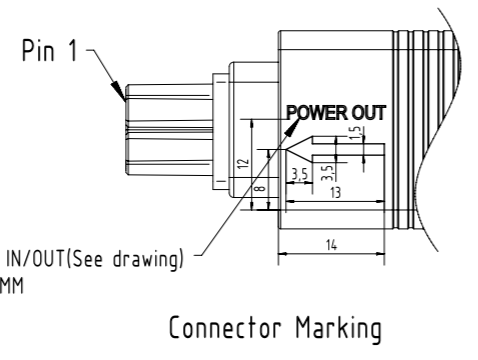
WHITE LABEL
CABLE, 3X2.5SQMM, NON-SHIELD, BK-Jacket

C1
PUSH PULL POWER 5 POLE FEMALE CONNECTOR

C2
PUSH PULL POWER 5 POLE FEMALE CONNECTOR

WIRING TABLE

C1	WIRE COLOR	C2	
5 (GND)	YELLOW/GREEN	5 (GND)	GND
4	NC	4	
3	BLUE	3	N
2	NC	2	
1	BROWN	1	L



Contant-POWER IN/OUT(See drawing)
Front:Arial 1.8 MM
WHITE

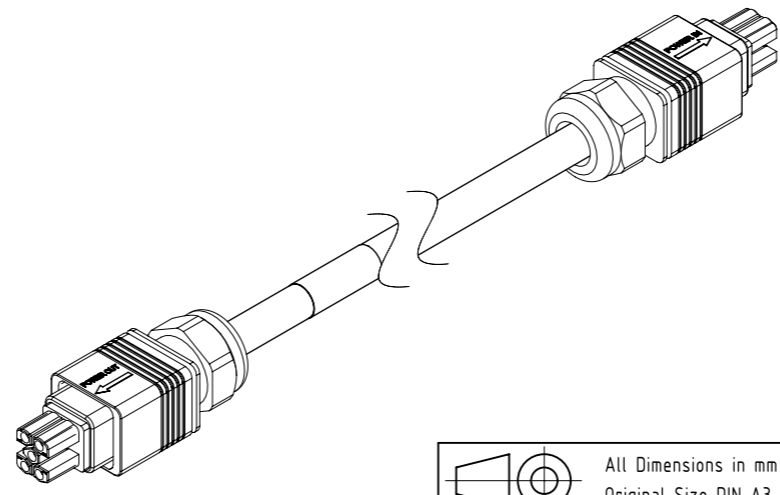
Connector Marking

NOTES:

- 1.)CABLE MUST UNDERGO CONTINUITY AND HI-POT(500VDC) TESTING.
- 2.)THE CABLE SHOULD BE PACKED BY THE PLASTIC BAG.
THEN PUT IT INTO THE CARTON(THE QTY ACCORDING TO ACTUAL CONDITION)
- 3.)EXPORT CARTON SHOULD BE STICKED THE LABEL WITH P/N AND QTY.
- 4.)WHITE LABEL CONTENT/

DATE CODE & LOT INFORMATION
HARTING P/N & REVISION

- 5.)CONNECTOR NEED PRINT WHITE MARKING ACORDING DRAWING.
- 6.)CABLE OPERATION TEMPERATURE: -20°C TO +70°C



HARTING P/N & REVISION	Cable length(L)
3359 213 010 0005 .00	1000 ± 20

All rights reserved Department EC PD - CN HARTING Electronics GmbH D-32339 Espelkamp		All Dimensions in mm Original Size DIN A3 Scale 1:1 Free size tol. \	Ref. \ Sub. \	Created by LIT Inspected by Standardisation Date 2014-10-09 State Checked Out	Title Push-Pull Power 5 P female,dul-end,L=1 M Type TB Number 33592130100005 Rev. A Page 1/1	Doc-Key / ECM-Nr. 100596706/UGD/000/A
---	--	---	------------------	---	--	--