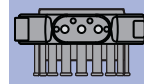


triflex® R | Series TRE | Delivery program

Robotic applications, easy filling



TRE

► 596



...TRE
simply press cables in

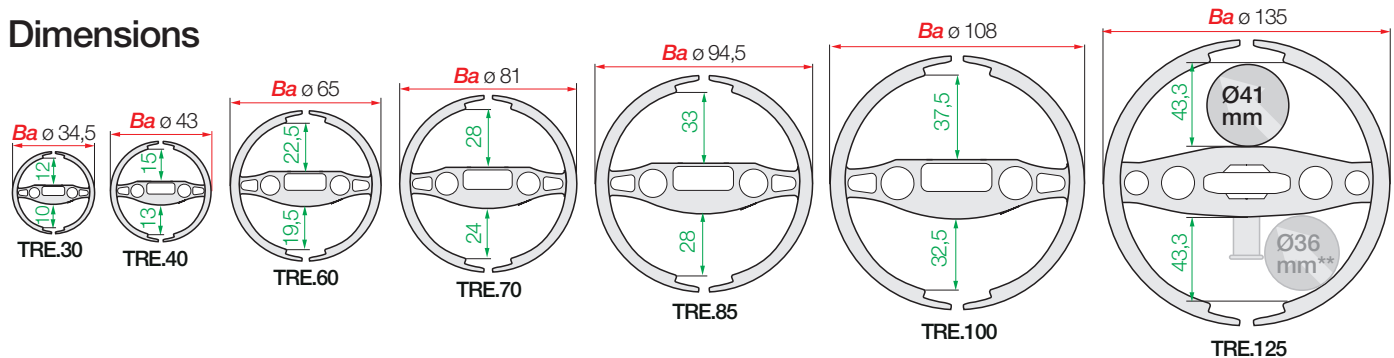
triflex® R | Series TRE | "easy"-design, simply press cables in

Series TRE "easy"-Design	Bi 1 [mm]	Bi 2 [mm]	Ba [mm]	R [mm]	d1 ¹⁾ [mm]	d2 ¹⁾ [mm]	Pitch [mm]	Links/m	Weight [kg/m]
TRE.30.050.0	12	10	34,5	050	10	8	11,3	89	≈ 0,26
TRE.40.058.0.B	15	13	43	058	13	11	13,9	72	≈ 0,36
TRE.60.087.0.B	22,5	19,5	65	087	20,5	17,5	20,4	49	≈ 0,83
TRE.70.110.0.B	28	24	81	110	26	22	25,6	39	≈ 1,30
TRE.85.135.0.B	33	28	94,5	135	31	26	30,6	33	≈ 1,67
TRE.100.145.0.B	37,5	32,5	108	145	35,5	30,5	34,5	29	≈ 2,35
TRE.125.182.0	43,3	43,3	135	182	41	41 ²⁾	44,6	23	≈ 4.40

1) For quick and easy insertion / removal of cables using the "easy"-design, we recommend a maximum cable diameter of 70% of the specified value.

2) Max. cable diameter Ø 41 mm. Max. cable diameter changes to Ø 36 mm only, if shortening/lengthening of a filled triflex® R is required

Dimensions



Save assembly time -

Easy assembly tool for triflex® TRE - B-series

● Assembly tool for the disassembly for triflex® R B-versions in 4 versions ● Significant assembly time reduction ● easy disassembling at each position of TRE B-series also in filled condition **More Information ► www.igus.eu/triflex_B_assembly**



All triflex® R accessories like:

● Swivel bearings for smooth motion ● Protectors ● Gliding feed-throughs ● Strain relief systems: Quick exchange kit, Pivot bracket, triflex® R connection ● TRE.LOCK clips ● Back pull systems: RS triflex® R-Set the universal module and RSP the intelligent retraction system ● Fiber rod module & Installation kit ● Protective jackets. More information ► **from page 596**

