

# MULTIBLOC® 00.ST9

Size 00, 160A, 690VAC, Design for Bottom Fitting, Triple Pole

## IEC FUSE SWITCH DISCONNECTORS

## NH FUSE SWITCH DISCONNECTOR



The production programme of MULTIBLOC® series 00.ST9 comprises NH fuse switch disconnectors for 160A.

They are designed for bottom fitting/panel installation and are available in triple pole units.

For installation of MULTIBLOC® NH fuse switch disconnectors in distribution units with central cover, respective covers are used to obtain a uniform profile in height and length.

MULTIBLOC® size 00 are designed for NH fuse-links in accordance with IEC/EN 60269-2, VDE 0636-2, size 00, 160A.

MULTIBLOC® offers the user the possibility of fast and easy installation as well as a high degree of security during installation and maintenance.

## TECHNICAL DATA OVERVIEW

Voltage AC	690 VAC
Voltage DC	440 VDC
Amper (A)	160 A
Size per Standard	00
SCCR	Ue = AC 400 V; Ie = 160 A 80kA Ue = AC 500 V; Ie = 160 A 80kA Ue = AC 690 V; Ie = 125 A 80kA
Mounting	bottom fitting/panel
Switchability	triple pole switching

## FEATURES & BENEFITS

- Touch protection IP 30
- Sealing and padlocking device integrated in switch door cover
- Installation depth 81 mm
- Voltage test through holes in slidable windows directly at contacts or tags of NH-fuse links
- Parking position of switch operating cover even with fuse-links inserted
- Modular system of cover - cover for cable termination area can be extended as required
- Varieties of cable termination: screw, clamp strap, Al-Cu clamp, frame clamp, extendable for V-terminal - optional
- Electronic or electro-mechanic fuse monitoring - optional
- Indicating switch for switch door position - optional
- Installation on to DIN rails in accordance with EN 60 715 - optional
- Safe on load connection/disconnection in accordance with IEC 60947-3

## APPLICATIONS

- House incoming units
- Meter distribution units
- Measuring transformer cabinets
- Transmitting stations for telecommunications

## STANDARDS

- IEC/EN 60 947-3  
For NH-fuse links size 000/00 in accordance with IEC/EN 60 269-2, VDE 0636-2



# MULTIBLOC® 00.ST9

Size 00, 160A, 690VAC, Design for Bottom Fitting, Triple Pole

## PRODUCT RANGE



2.030.000



2.030.100



2.030.200

### MULTIBLOC® 00.ST9 size 00 160A, 690VAC bottom fitting, triple pole

Catalog number	Reference number	Poles	Cable termination components	Design	Weight kg <sup>1</sup>	Package
2.030.000	P1023007	3	6 M8 terminal screws	-	0.75	1 piece
2.030.100	V1023012	3	6 M8 terminal screws	with electronic fuse monitoring ESÜ installed (rated voltage = 525VAC)	0.86	1 piece
2.030.200	C1023042	3	6 M8 terminal screws	with electro-mechanic fuse monitoring MZS installed (galvanic isolation)	1.39	1 piece
2.030.300	D1023043	3	6 M8 terminal screws	fixed window to protect against unauthorized connection	0.75	1 piece
2.031.000	E1023044	3	6 clamp straps Cu 4-70mm <sup>2</sup>	-	0.75	1 piece
2.031.300	F1023045	3	6 clamp straps Cu 4-70mm <sup>2</sup>	fixed window to protect against unauthorized connection	0.75	1 piece
2.032.000	G1023046	3	6 Al/Cu clamps 1,5-70 mm <sup>2</sup> round stranded, 95 mm <sup>2</sup> sectoral solid	-	0.85	1 piece
2.033.000	H1023047	3	3 frame clamps Cu 2,5-70 mm <sup>2</sup> factory assembled	-	0.70	1 piece
2.034.000	J1023048	3	3 M8 terminal screws, 3 clamp straps Cu 4-70mm <sup>2</sup>	-	0.75	1 piece
2.035.000	K1023049	3	3 M8 terminal screws 3 Al/Cu clamps 1,5-70 mm <sup>2</sup> round stranded, 95 mm <sup>2</sup> sectoral solid	-	0.75	1 piece

<sup>1</sup> weight in kg per piece or set including package

MERSEN reserves the right to change, update or correct, without notice, any information contained in this datasheet.

# MULTIBLOC® 00.ST9

Size 00, 160A, 690VAC, Design for Bottom Fitting, Triple Pole

## TECHNICAL DATA IN ACCORDANCE WITH EN / IEC 60947

		<b>00.ST9 triple pole</b>
Number of poles/phases		3
Size		00
Conventional free air thermal current with NH-fuse links $I_{th}$		160 A
Max. power dissipation of fuse links $P_n$		12 W
Conventional free air thermal current with solid links $I_{th}$		200 A
Max. power dissipation of solid links $P_n$		1,2 W
Utilization category to IEC/EN 60947-3 $U_e = AC 400 V; I_e = 160 A$ $U_e = AC 500 V; I_e = 160 A$ $U_e = AC 690 V; I_e = 160 A$ $U_e = DC 220 V; I_e = 160 A$ $U_e = DC 440 V; I_e = 100 A$		AC 23 B AC 22 B AC 21 B DC 22 B DC 21 B
Rated operational voltage $U_e$		690 V
Rated insulation voltage $U_i$		1000 V
Rated impulse withstand voltage $U_{imp}$		8 kV
Rated frequency		50 ... 60 Hz
Degree of protection		IP 30
Degree of pollution		3
Rated duty		uninterrupted duty
Rated conditional short-circuit current with fuse links $U_e = AC 400 V; I_e = 160 A$ $U_e = AC 500 V; I_e = 160 A$ $U_e = AC 690 V; I_e = 125 A$		80 kA 80 kA 80 kA
Rated short circuit making capacity with solid links $I_{cm}$		6.2 kAsw
Rated short-time withstand current $I_{cw}$		4 kA / 1 s
Power dissipation by $I_{th}$ without NH-fuse links		11 W
Power dissipation by $I_{th}$ 200A without solid links		17 W
Installation mode		bottom fitting
<b>Cable terminal connection</b>		
Standard cable terminal		M8
for cable lugs Cu max.		2 x 70 mm <sup>2</sup>
for cable lugs Al max.		2 x 70 mm <sup>2</sup>
for copper bars with max. dimensions		20 x 5 mm

MERSEN reserves the right to change, update or correct, without notice, any information contained in this datasheet.

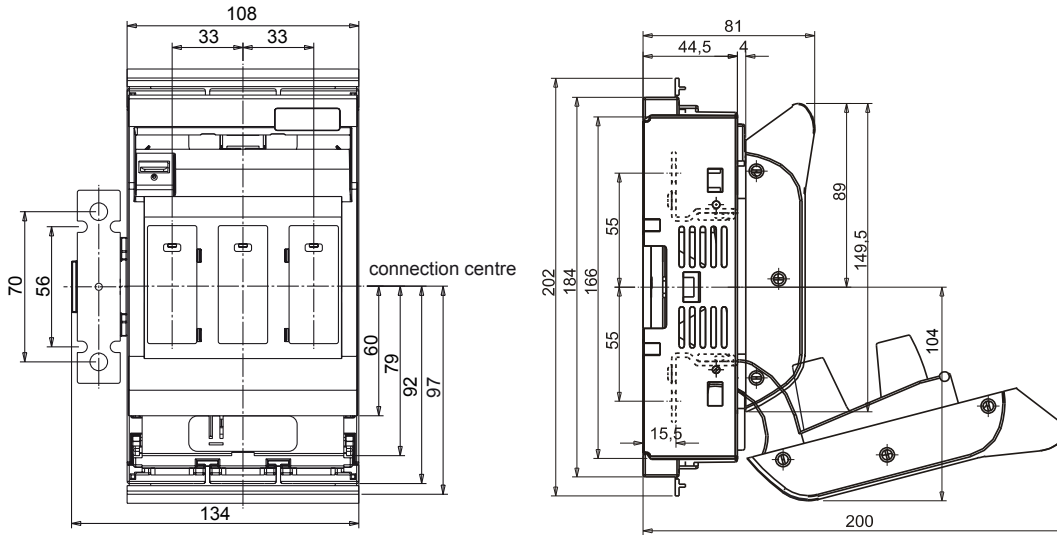
# MULTIBLOC® 00.ST9

Size 00, 160A, 690VAC, Design for Bottom Fitting, Triple Pole

## DIMENSIONS

**MULTIBLOC® 00.ST9 NH-fuse switch disconnecter**  
triple pole design for bottom fitting

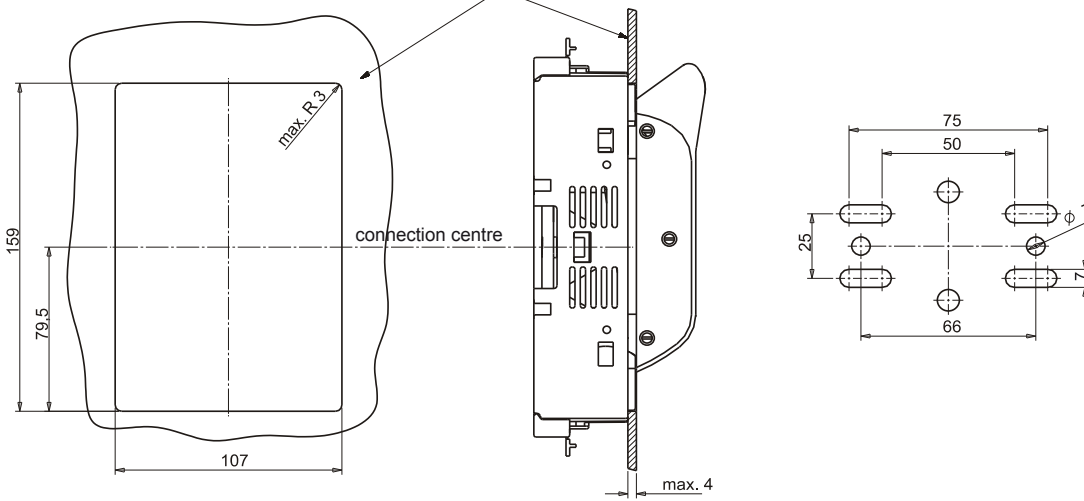
(M 01169)



dimensions of switch board cut out  
for bottom fixing without cover shield

switch board

dimensions for bottom fitting



Dimensions in mm

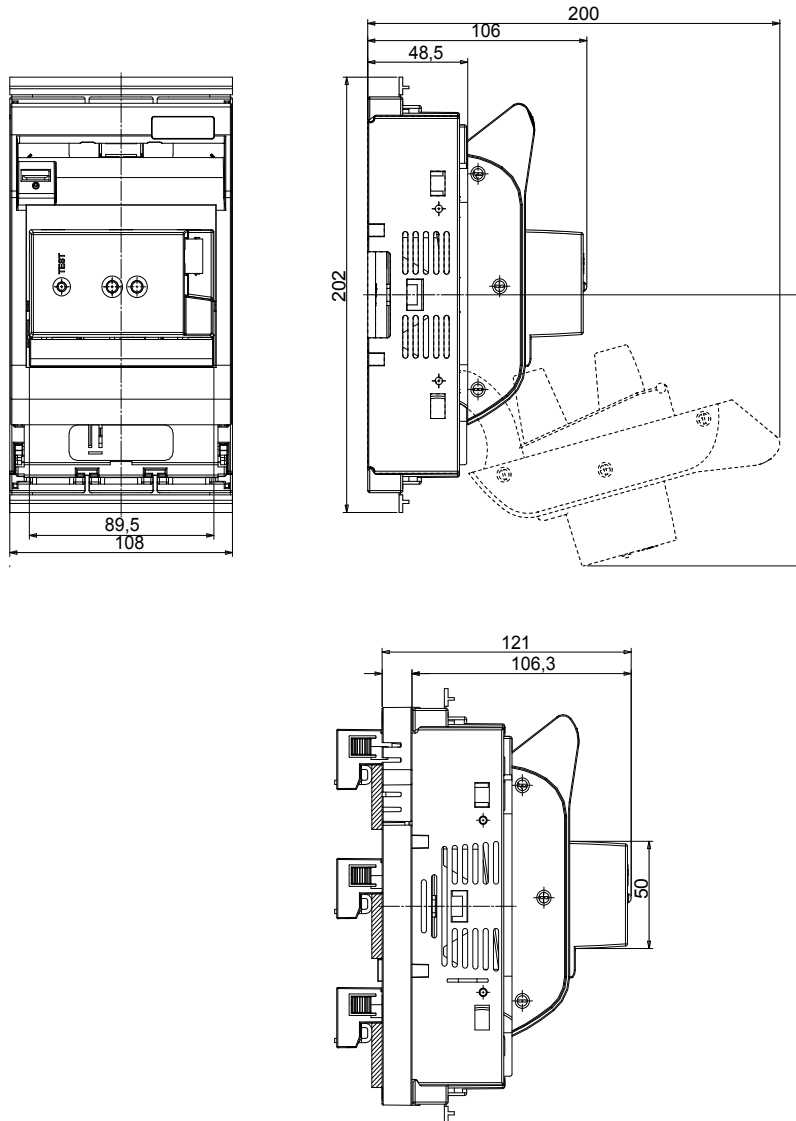
# MULTIBLOC® 00.ST9

Size 00, 160A, 690VAC, Design for Bottom Fitting, Triple Pole

## DIMENSIONS

**MULTIBLOC® 00.ST9 and 00.RST9 triple pole  
with electronic fuse monitoring ESÜ**

(M 01172)



Dimensions in mm

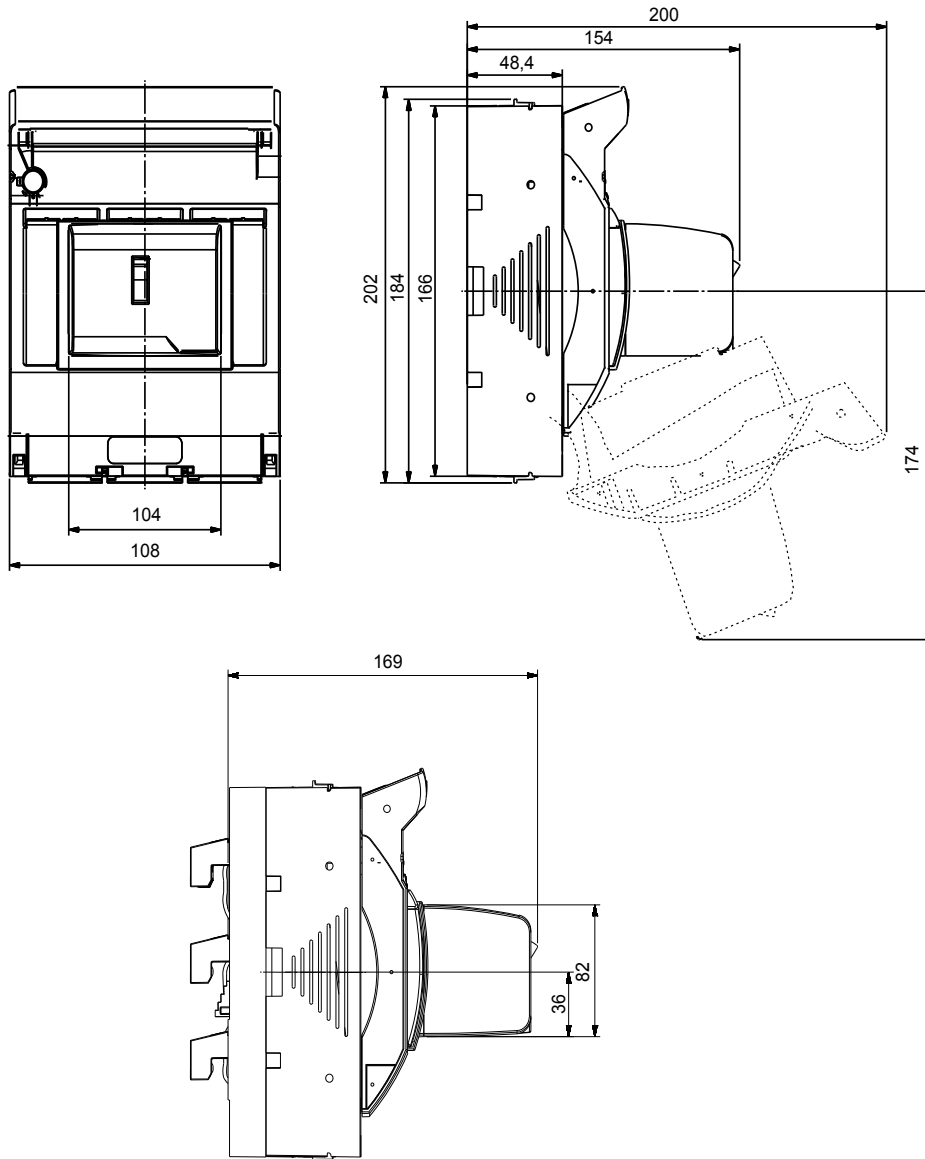
# MULTIBLOC® 00.ST9

Size 00, 160A, 690VAC, Design for Bottom Fitting, Triple Pole

## DIMENSIONS

**MULTIBLOC® 00.ST9 and 00.RST9**

**triple pole with electro-mechanic fuse monitoring MZS (M 01135c-00)**



Dimensions in mm

# MULTIBLOC® 00.ST9

Size 00, 160A, 690VAC, Design for Bottom Fitting, Triple Pole

## DIMENSIONS

Cable termination size 00 (MA 120c)

type	N	S	A	R
terminal	screw	clamp strap	Al/Cu clamp	frame clamp
cross section mm <sup>2</sup>	Cu 16-70	Cu 4-70	Cu 1,5-70	Cu 2,5-70
	Al 16-95	Al ---	Al 1,5-70 sectoral stranded Al 1,5-95 sectoral solid	Al ---
M(an) (Nm)	10	3-4	3-4	6

Dimensions in mm

MERSEN reserves the right to change, update or correct, without notice, any information contained in this datasheet.

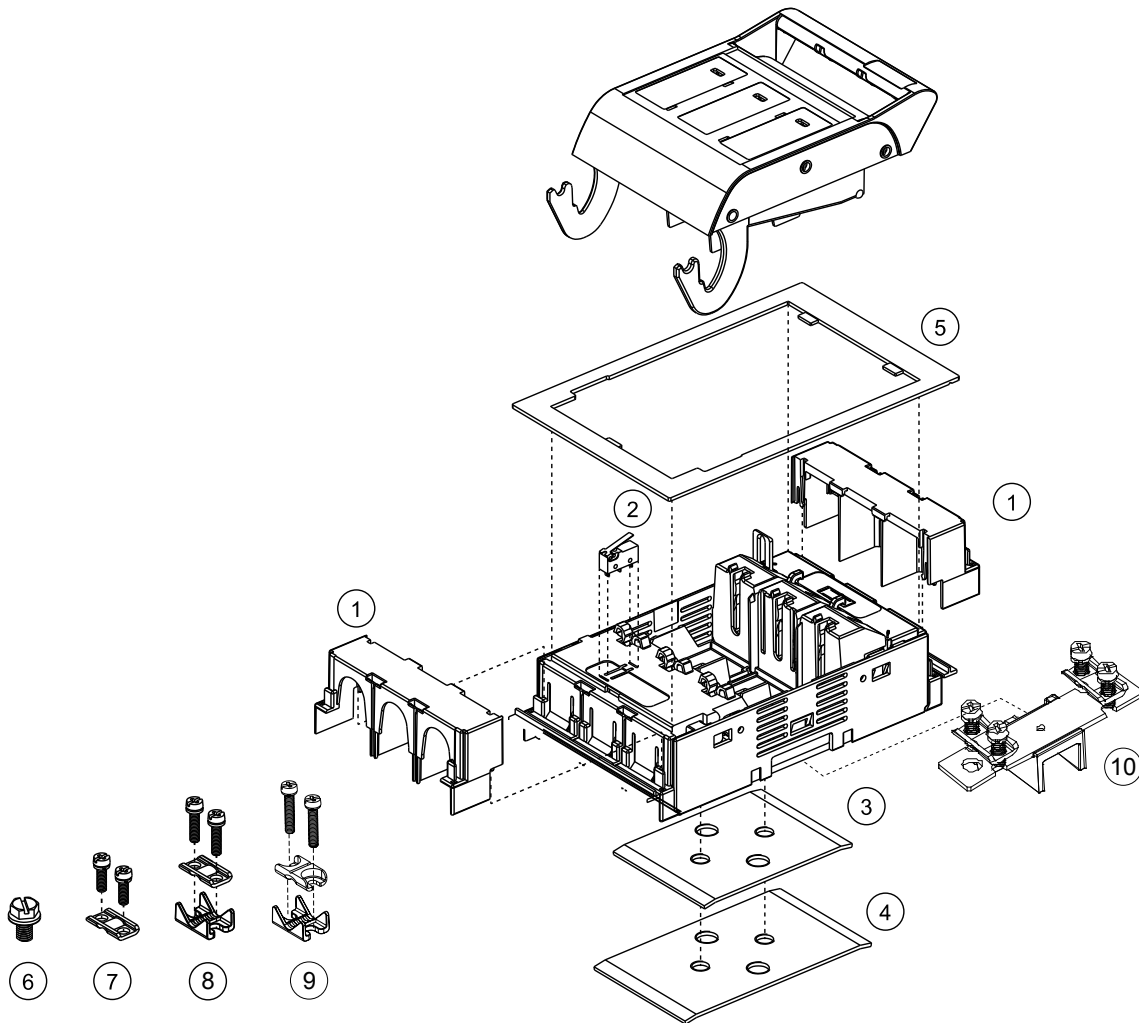
# MULTIBLOC® 00.ST9

Size 00, 160A, 690VAC, Design for Bottom Fitting, Triple Pole

## EXPLODED SKETCH

**MULTIBLOC® 00.ST9 NH-fuse switch disconnecter**  
**triple pole design for bottom fitting**

(E 1.002.784)



no.	articlenumber	short Description
1	1.000.148	Cover for cable termination, triple pole
2	1.000.852	indicator for switch door position
3	1.000.153	Set for mounting on DIN rails 125mm
4	1.000.154	Set for mounting on DIN rails 150mm
5	1.000.126	Cover shield for one switch
6	00SZS	M8 terminal screw screw, 1 Set = 3 pieces
7	00SZESK	Clamp strap 4 - 70mm <sup>2</sup> , set = 3 pieces
8	00SZA70	Al/Cu clamp 1-5 - 70mm <sup>2</sup> , set = 3 pieces
9	1.003.571	Al/Cu clamp 50 - 95 mm <sup>2</sup> , set = 3 pieces
10	00SZNS	Neutral cond. support with clamp strap



# MULTIBLOC® 00.ST9

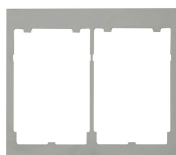
Size 00, 160A, 690VAC, Design for Bottom Fitting, Triple Pole

## ACCESSORIES

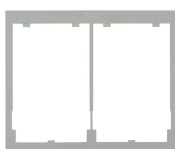


1.000.126

1.003.431



1.002.874



1.000.127



1.000.128



1.002.870



1.000.148

### Cover shields

Catalog number	Reference number	Design	Weight	Package
1.000.126	Y229285	cover shield for installation in distribution units size (width x height): 123 x 190 mm for one 00.ST9/00.RST9	22 g	1 piece
1.003.431	N1022960	cover shield for installation in distribution units size (width x height): 123 x 210 mm for one 00.ST9/00.RST9	30 g	1 piece
1.002.874	S1022964	cover shield for installation in distribution units size (width x height): 231 x 210 mm for two 00.ST9/00.RST9	57 g	1 piece
1.000.127	Z229286	cover shield for installation in distribution units size (width x height): 231 x 190 mm for two 00.ST9/00.RST9	46 g	1 piece
1.000.128	A229287	cover shield for installation in distribution units size (width x height): 339 x 190 mm for three 00.ST9/00.RST9	30 g	1 piece
1.002.870	R1022963	cover shield for installation in distribution units size (width x height) 231 x 210 mm for one 00.ST9/00.RST9 + lateral spare way cover right side	95 g	1 piece

### Cover/shrouds for cable termination

Catalog number	Reference number	Design	Weight	Package
1.000.148	W229283	cover for cable terminal connection for 00.ST9 triple pole, 1 set = 2 pieces	43 g	1 set

MERSEN reserves the right to change, update or correct, without notice, any information contained in this datasheet.

# MULTIBLOC® 00.ST9

Size 00, 160A, 690VAC, Design for Bottom Fitting, Triple Pole

## ACCESSORIES



1.000.153



1.000.154

### Installation devices

Catalog number	Reference number	Design	Weight	Package
1.000.153	C229887	adapter for installation on to DIN-rails in accordance with EN 60 715-125 mm for 00.ST9 triple pole	0.239 kg	1 piece
1.000.154	D229888	adapter for installation on to DIN-rails in accordance with EN 60 715-150 mm for 00.ST9 triple pole	0.285 kg	1 piece



1.000.852

### Indication facilities

Catalog number	Reference number	Design	Weight	Package
1.000.852	Q1002285	indicator for switch door position micro switch, 1 change-over contact 5 A, 250 V	0.09 kg	1 piece



00SZS



00SZESK



00SZA70



1.003.571



1.003.433



00SZSV6

### Varieties of cable termination

Catalog number	Reference number	Design	Weight	Package
00SZS	M229298	M8 terminal screw for switch gear size 00 1 set = 3 pieces	35 g	1 set
00SZESK	E214594	clamp strap Cu 4-70 mm² for switch gear size 00 1 set = 3 pieces	35 g	1 set
00SZA70	R211523	Al/Cu clamp 1,5-70 mm² for switch gear size 00 1 set = 3 pieces	75 g	1 set
1.003.571	V1033684	Al/Cu clamp 50-95 mm² round stranded for switch gear size 00 1 set = 3 pieces	88 g	1 set
1.003.433	L1022958	triple clamp per pole 1.5 up to 16 mm² 1 set = 3 pieces	0.135 kg	1 piece
00SZSV6	K1022957	V-shaped lug size 00, M8, for V-terminal clamp size 00 for switch gear size 00 with screw terminal supplementary set for V-terminal with V-terminal clamps 1 set = 3 pieces	130 g	1 set

### Neutral conductor



00SZNS

Catalog number	Reference number	Design	Weight	Package
00SZNS	A1023086	neutral conductor support for lateral installation either left or right side of MULTIBLOC® size 00 cable termination clamp strap Cu 4-70 mm² round stranded/round solid	83 g	1 piece