

# Rittal – The System.

Faster – better – everywhere.



Klemmenkästen KL

Terminal boxes KL

Boîtiers de jonction KL

Klemmenkasten KL

Kopplingslådor KL

Contentitori di derivazione KL

Cajas de bornes KL

KL ターミナルボックス

1500.510	1508.510	1516.510	1531.510	1539.510
1501.510	1509.510	1517.510	1532.510	1540.510
1502.510	1510.510	1518.510	1533.510	1541.510
1503.510	1511.510	1519.510	1534.510	1542.510
1504.510	1512.510	1527.510	1535.510	1589.510
1505.510	1513.510	1528.510	1536.510	
1506.510	1514.510	1529.510	1537.510	
1507.510	1515.510	1530.510	1538.510	

Montage- und Bedienungsanleitung  
Assembly and operating instructions  
Notice d'emploi et de montage  
Montage- en bedieningshandleiding  
Montage- och bruksanvisning  
Istruzioni di montaggio  
Instrucciones de montaje  
取扱説明書

ENCLOSURES

POWER DISTRIBUTION

CLIMATE CONTROL

IT INFRASTRUCTURE

SOFTWARE & SERVICES



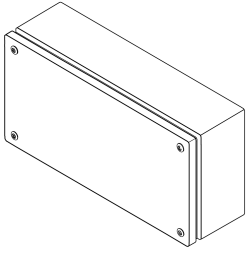
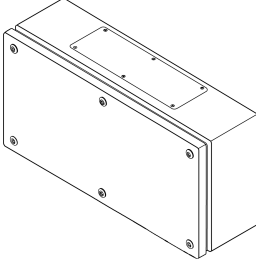
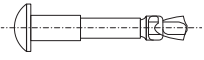


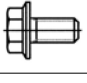



FRIEDHELM LOH GROUP

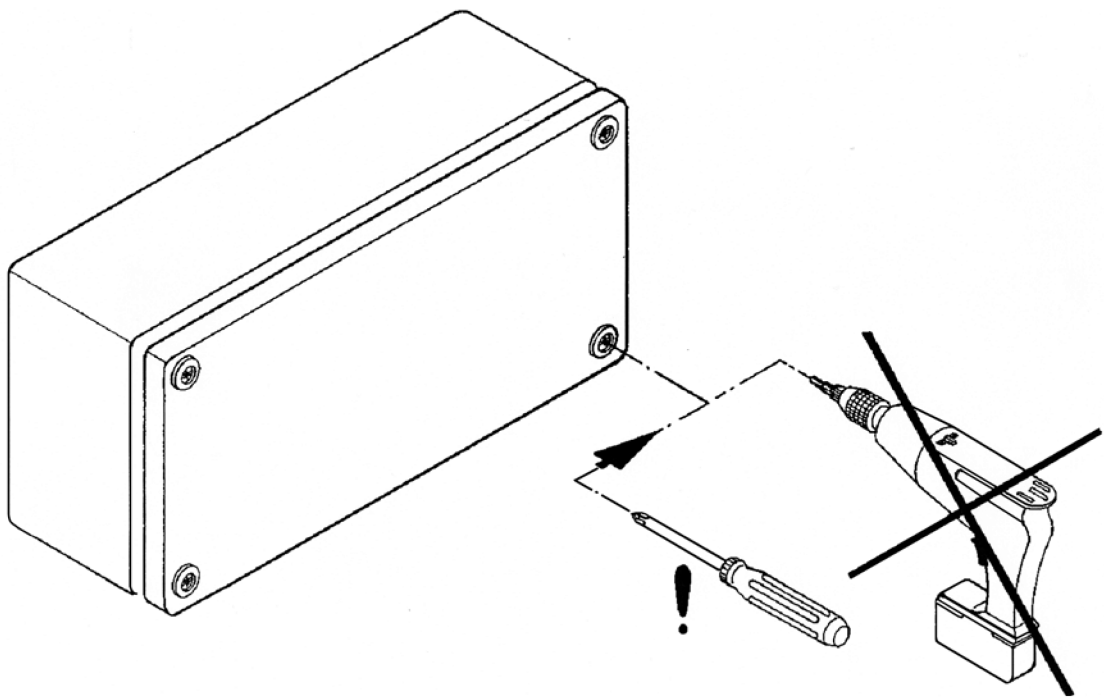
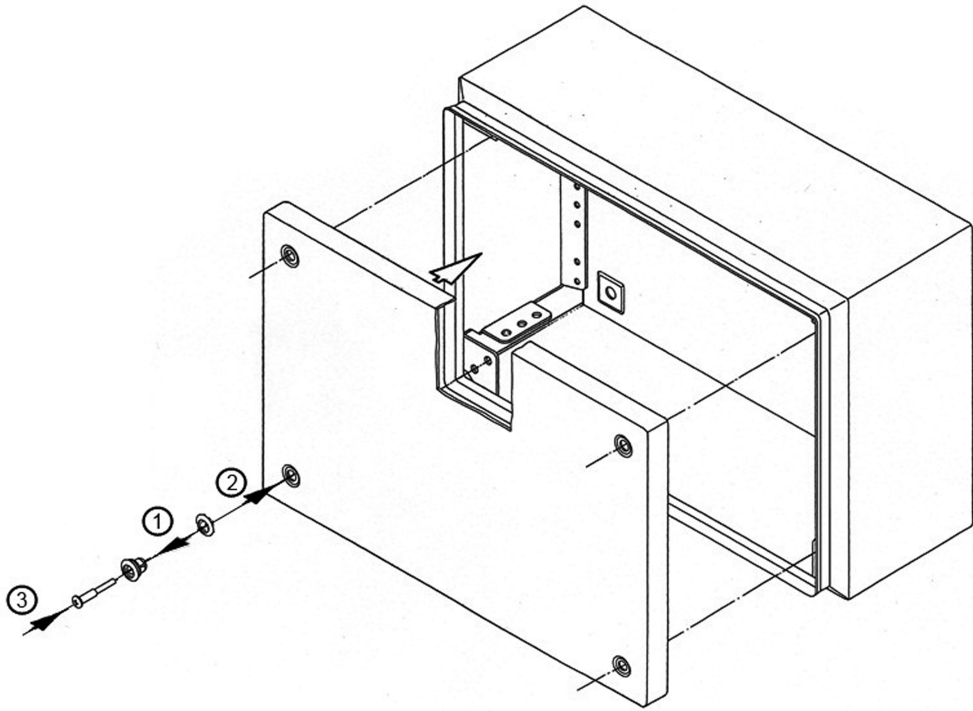
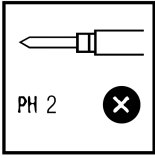
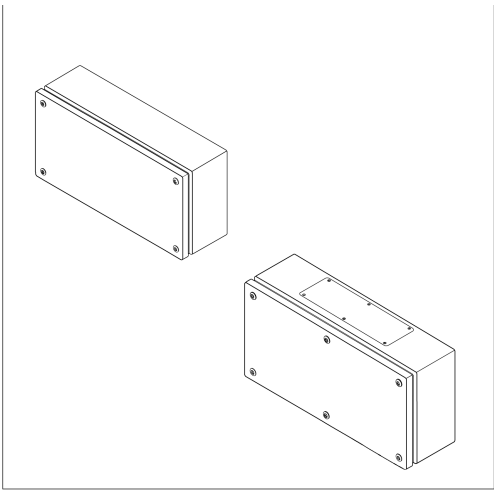
## Inhaltsverzeichnis

	Seite
Inhalt Versandbeutel	3
Montage Deckel	4
Montageplatte, Einbau	5
Tragschiene	5
Flanschplatte, Einbau	6
Schutzleiteranschluß	7
Wandbefestigung	8
Belastungstabelle	9
Verlustleistung	10
Schutzgrade	11

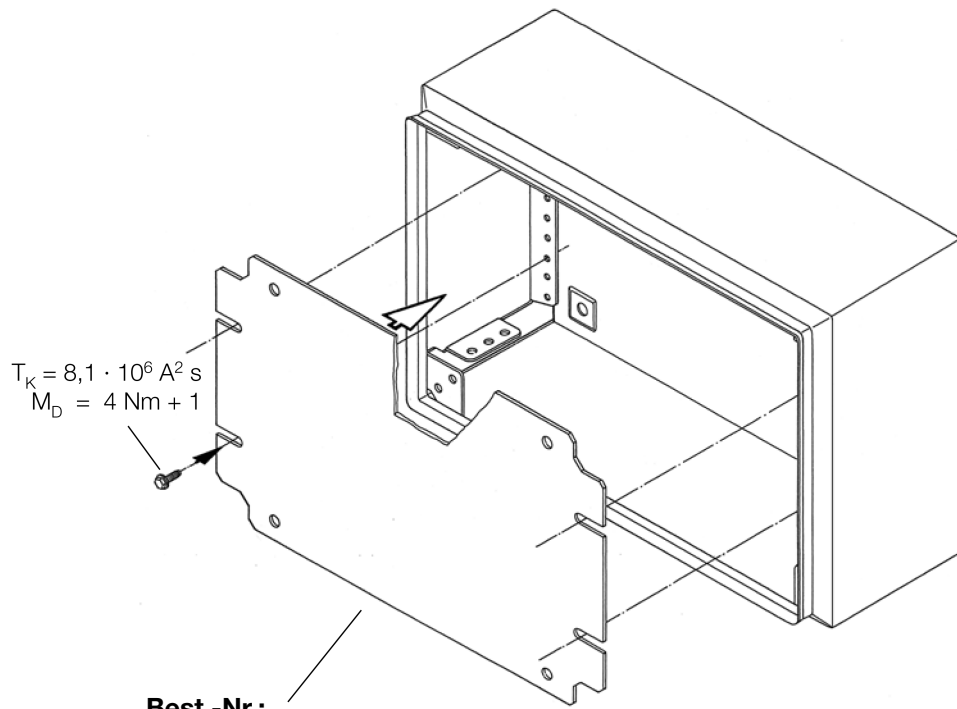
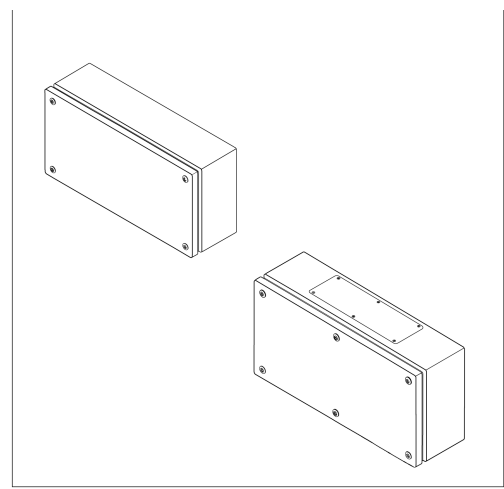
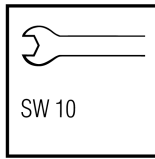
## Table of contents

	Page
Contents of the accessory bag	3
Assembly of the cover	4
Mounting plate, installation	5
Support rail	5
Gland plate, installation	6
Earthing connection	7
Wall mounting	8
Load Table	9
Thermal energy dissipation	10
Degree of protection	11

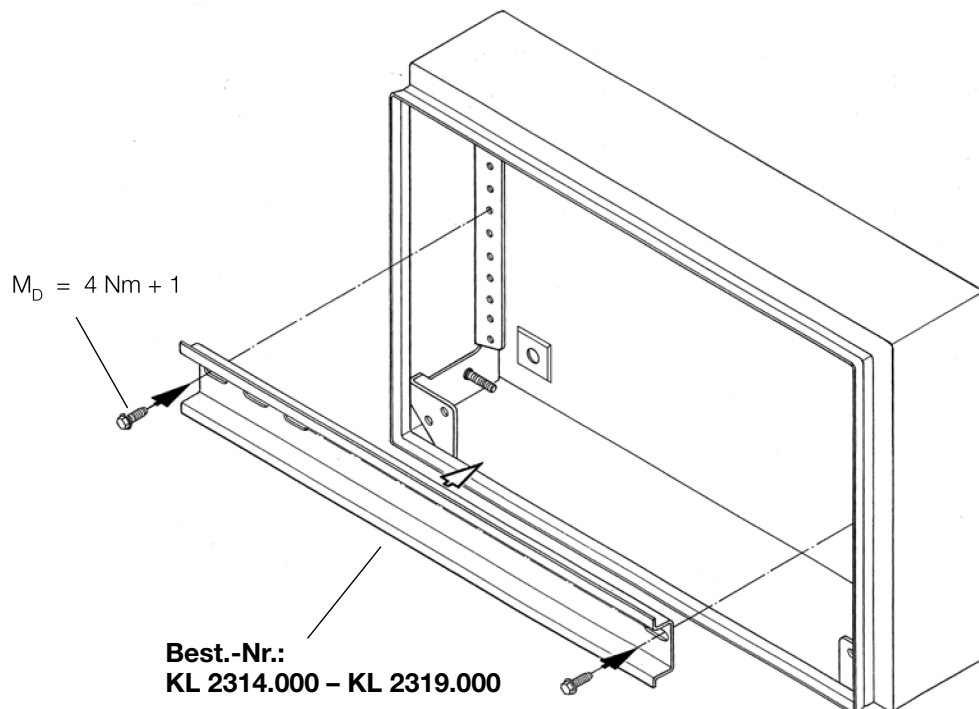
									
		1500.510, 1511.510 1501.510, 1514.510 1502.510, 1515.510 1503.510, 1516.510 1504.510, 1517.510 1505.510, 1518.510 1507.510, 1528.510 1508.510, 1529.510 1509.510, 1589.510	1506.510 1510.510 1512.510 1513.510 1519.510 1527.510	1530.510 1531.510 1532.510	1533.510 1535.510 1536.510 1539.510	1538.510 1540.510 1542.510	1541.510	1534.510	1537.510
	Ø 5	4 x	6 x	4 x	4 x	6 x	6 x	6 x	4 x
		4 x	6 x	4 x	4 x	6 x	6 x	6 x	4 x
		4 x	6 x	4 x	4 x	6 x	6 x	6 x	4 x
	M5 x 10	4 x	4 x	4 x	4 x	4 x	4 x	4 x	4 x
	Ø 9	5 x	5 x	5 x	5 x	5 x	5 x	5 x	5 x
	Bz 4,2 x 9,5			12 x	24 x	36 x	48 x	24 x	36 x
		2 x	2 x	2 x	2 x	2 x	2 x	2 x	2 x



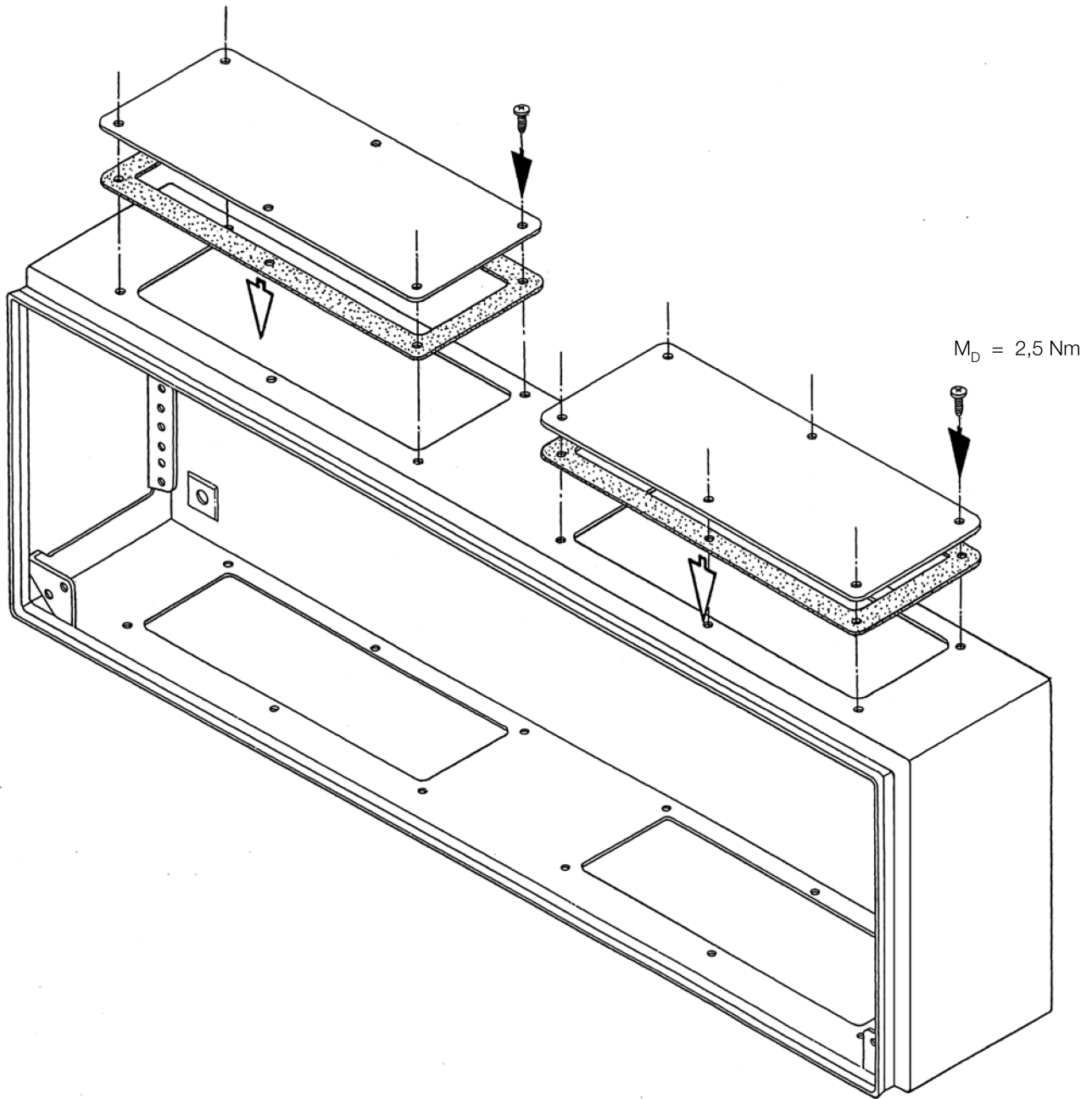
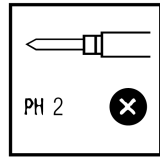
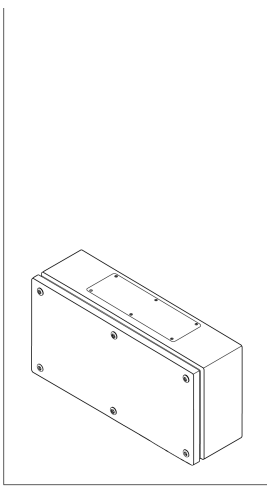


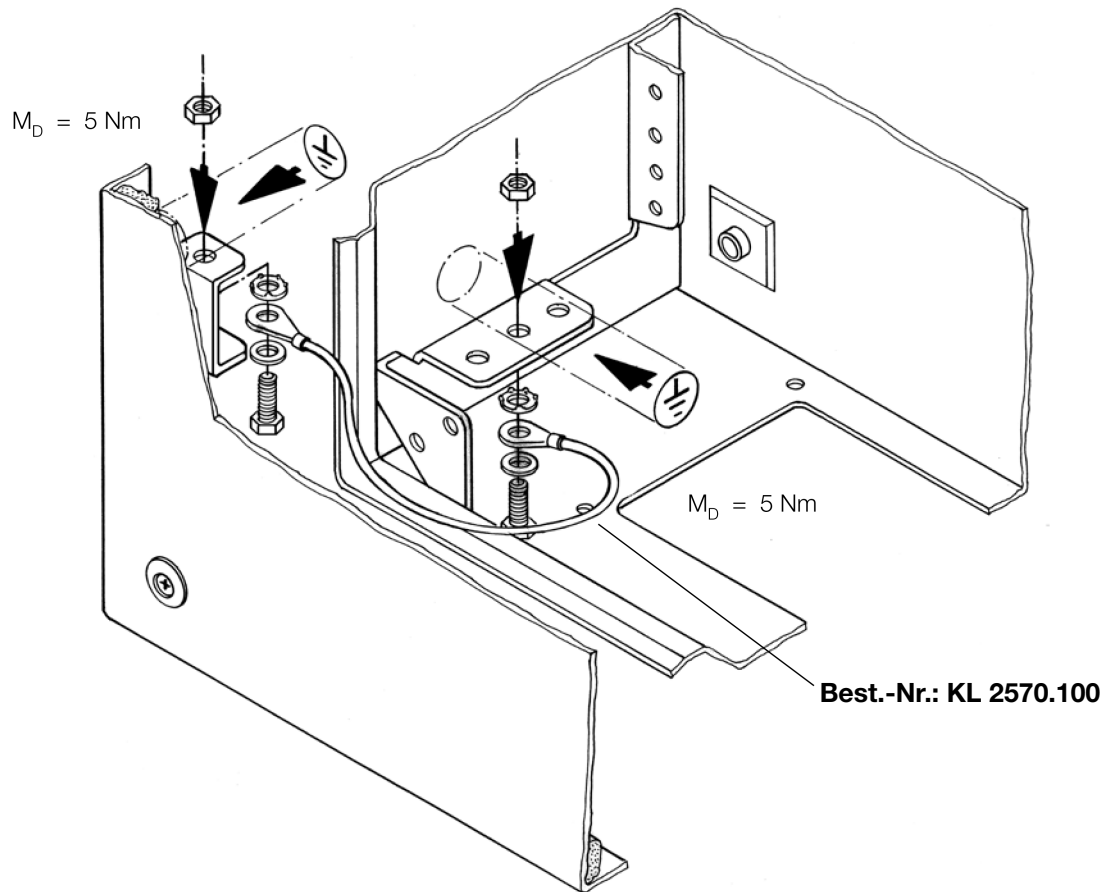
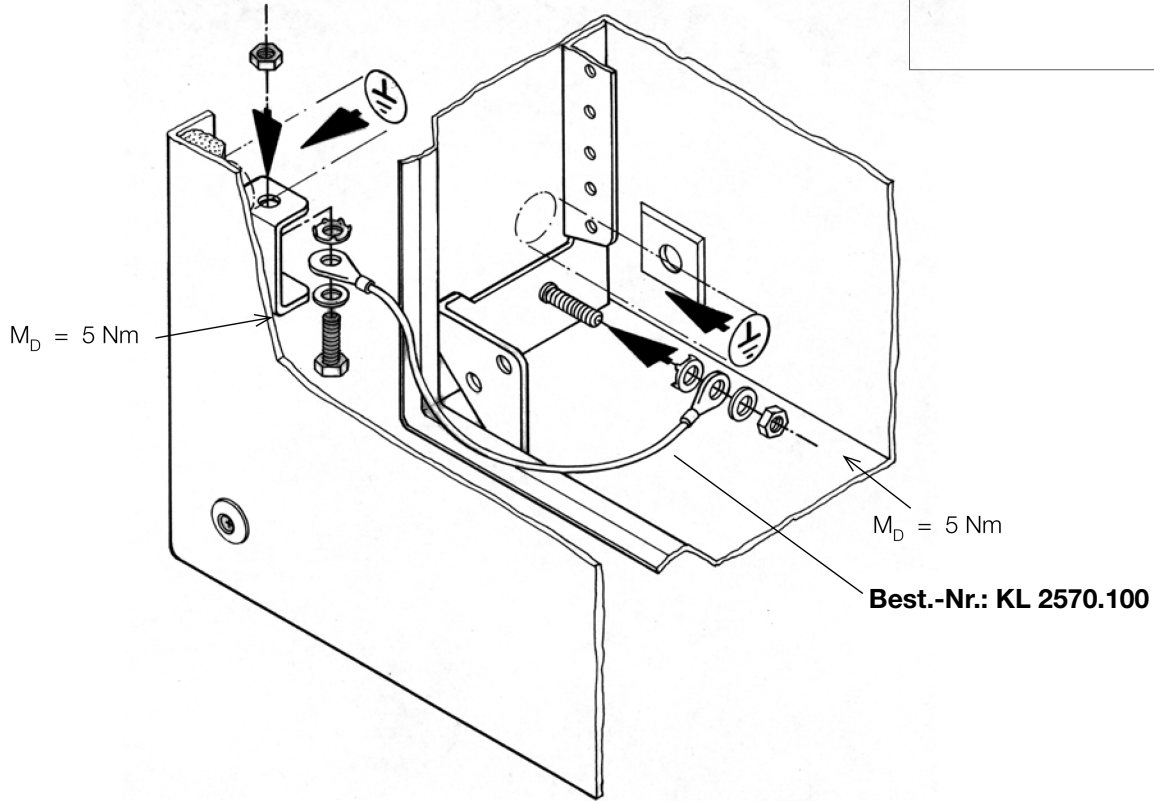
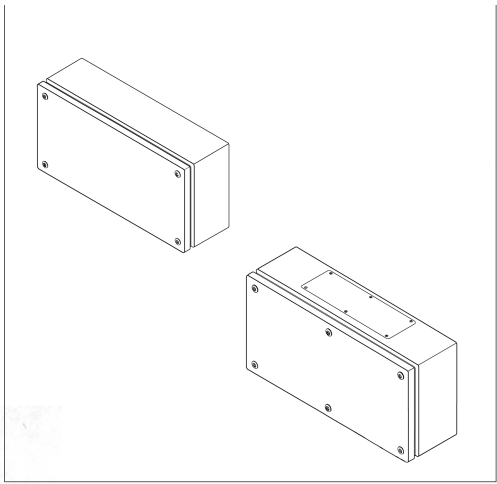
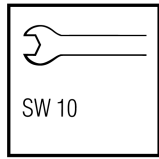


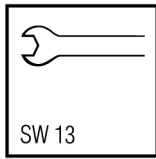
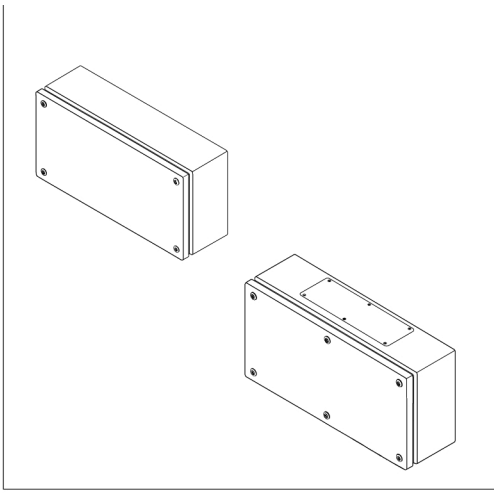
**Best.-Nr.:**  
**KL 1560.700 – KL 1576.700**



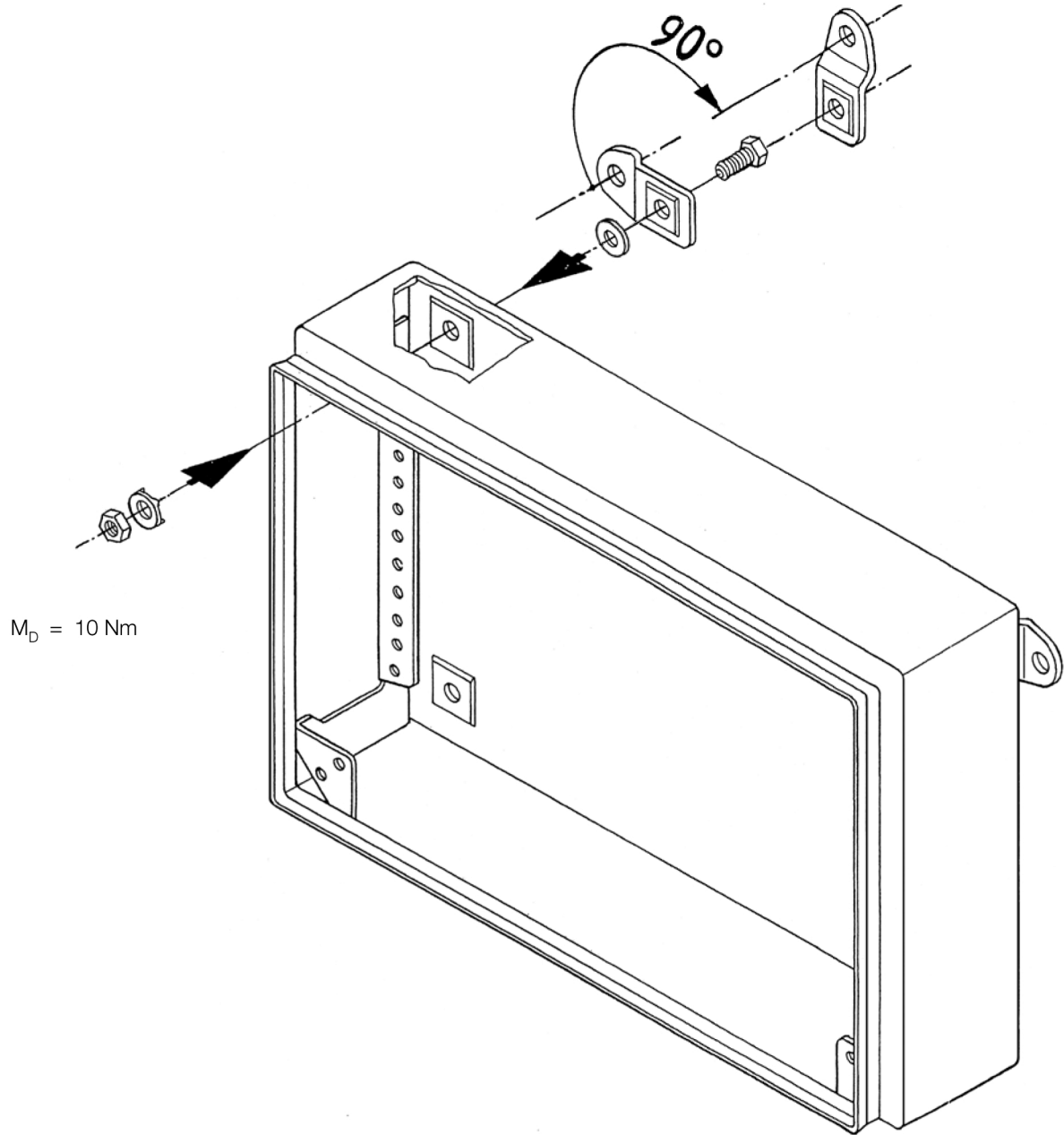
**Best.-Nr.:**  
**KL 2314.000 – KL 2319.000**



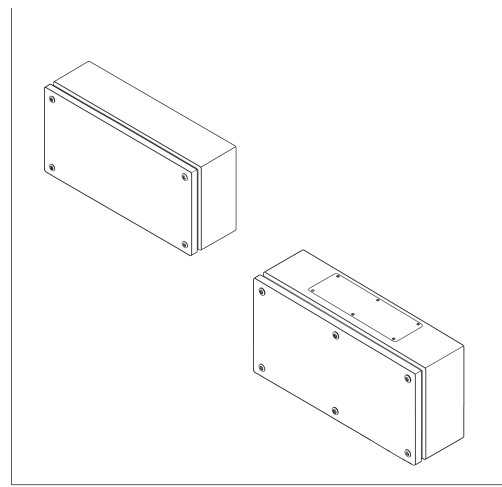




Best.-Nr.: KL 1590.000

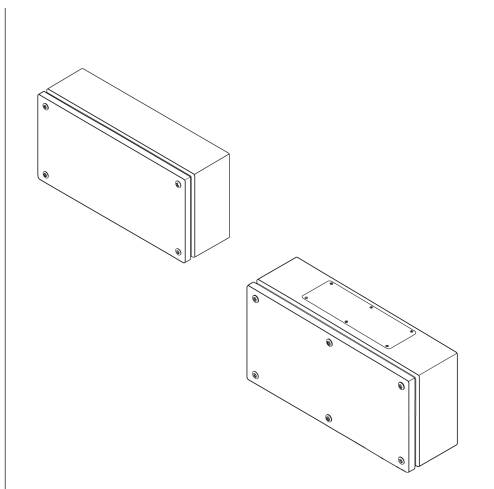


$M_D = 10 \text{ Nm}$



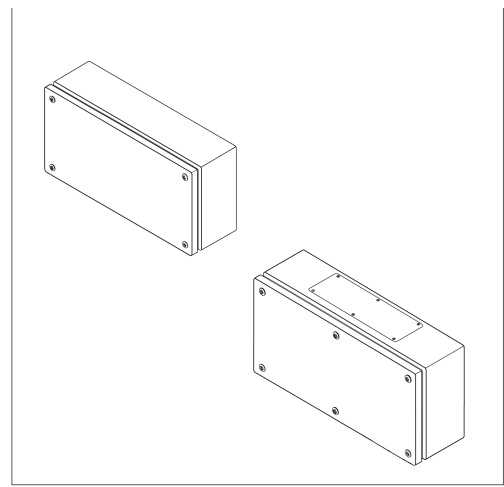
## Technische Daten KL-Gehäuse Technical Data

Best.-Nr.: Order Number:	Abmaße [mm] Dimensions [mm]			Volumen Volume [l]	Ausführung der Montageplatte Execution Mounting Plate		Belastungsangaben [N] Load [N]		
	Breite Width	Höhe Height	Tiefe Deep		Dicke Thickness	[mm] [mm]	Gesamt Entively	Montageplatte Mounting Plate	Tür Door
1514.510	150	150	80	1,80	2,0	200	100	50	
1500.510	150	150	120	2,70	2,0				
1528.510	200	150	80	2,40	2,0				
1529.510	200	150	120	3,60	2,0	350	200	100	
1516.510	200	200	80	3,20	2,0				
1502.510	200	200	120	4,80	2,0				
1515.510	300	150	80	3,60	2,0	250	100	100	
1501.510	300	150	120	5,40	2,0				
1530.510	300	150	120	5,40	2,0				
1517.510	300	200	80	4,80	2,0	350	200	100	
1503.510	300	200	120	7,20	2,0				
1531.510	300	200	120	7,20	2,0				
1507.510	300	300	120	10,80	2,0	650	400	200	
1535.510	300	300	120	10,80	2,0				
1589.510	400	150	120	7,20	2,0	350	100	200	
1518.510	400	200	80	6,40	2,0	650	400	200	
1504.510	400	200	120	9,60	2,0				
1532.510	400	200	120	9,60	2,0				
1508.510	400	300	120	14,40	2,0				
1536.510	400	300	120	14,40	2,0				
1511.510	400	400	120	19,20	2,0				
1539.510	400	400	120	19,20	2,0				
1505.510	500	200	120	12,00	2,0				
1533.510	500	200	120	12,00	2,0				
1509.510	500	300	120	18,00	2,0				
1537.510	500	300	120	18,00	2,0				
1519.510	600	200	80	9,60	2,0	900	600	250	
1506.510	600	200	120	14,40	2,0				
1534.510	600	200	120	14,40	2,0				
1510.510	600	300	120	21,60	2,0				
1538.510	600	300	120	21,60	2,0				
1512.510	600	400	120	28,80	2,0				
1540.510	600	400	120	28,80	2,0				
1527.510	800	200	120	19,20	2,0				
1542.510	800	200	120	19,20	2,0				
1513.510	800	400	120	38,40	2,0				
1541.510	800	400	120	38,40	2,0				



## Thermische Wärmeabfuhr KL-Gehäuse in Abhängigkeit vom Einbauort Thermal energy dissipation as a function of the location

Best.-Nr.: Order Number :			
	W	W	W
	W (Delta / T = 20K)		
1500.510	11	10	7
1501.510	18	17	12
1502.510	17	14	11
1503.510	22	20	14
1504.510	28	24	19
1505.510	34	30	23
1506.510	40	34	26
1507.510	31	26	21
1508.510	39	33	26
1509.510	46	40	32
1510.510	54	46	37
1511.510	48	42	34
1512.510	68	57	47
1513.510	88	74	62
1514.510	9	8	6
1515.510	15	13	10
1516.510	13	12	9
1517.510	19	17	13
1518.510	24	21	17
1519.510	34	29	24
1527.510	52	44	35
1528.510	11	10	8
1529.510	13	12	9
1530.510	18	17	12
1531.510	22	20	14
1532.510	28	24	19
1533.510	34	30	23
1534.510	40	34	26
1535.510	31	26	21
1536.510	39	33	26
1537.510	46	40	32
1538.510	54	46	37
1539.510	48	42	34
1540.510	68	57	47
1541.510	88	74	62
1542.510	52	44	35
1589.510	23	20	15



## Schutzgrade KL Degrees of protection

Best.-Nr.: Order Number :	Schutzgrad / Degree of protection		
	IP <sup>1)</sup>	IK <sup>2)</sup>	NEMA <sup>3)</sup>
1500.510	66	08	4
1501.510	66	08	4
1502.510	66	08	4
1503.510	66	08	4
1504.510	66	08	4
1505.510	66	08	4
1506.510	66	08	4
1507.510	66	08	4
1508.510	66	08	4
1509.510	66	08	4
1510.510	66	08	4
1511.510	66	08	4
1512.510	66	08	4
1513.510	66	08	4
1514.510	66	08	4
1515.510	66	08	4
1516.510	66	08	4
1517.510	66	08	4
1518.510	66	08	4
1519.510	66	08	4
1527.510	66	08	4
1528.510	66	08	4
1529.510	66	08	4
1530.510	55	08	12
1531.510	55	08	12
1532.510	55	08	12
1533.510	55	08	12
1534.510	55	08	12
1535.510	55	08	12
1536.510	55	08	12
1537.510	55	08	12
1538.510	55	08	12
1539.510	55	08	12
1540.510	55	08	12
1541.510	55	08	12
1542.510	55	08	12
1589.510	66	08	4

1) nach IEC 60529

2) nach DIN EN 50102

3) nach NEMA-Standards (Publikation Nr. 250, bis 1000 V Maximum)

# Rittal – The System.

**Faster – better – everywhere.**

- Enclosures
- Power Distribution
- Climate Control
- IT Infrastructure
- Software & Services

08.2014/A3835801KL

RITTAL GmbH & Co. KG  
Postfach 1662 · D-35726 Herborn  
Phone + 49(0)2772 505-0 · Fax + 49(0)2772 505-2319  
E-mail: [info@rittal.de](mailto:info@rittal.de) · [www.rittal.com](http://www.rittal.com)

ENCLOSURES

POWER DISTRIBUTION

CLIMATE CONTROL

IT INFRASTRUCTURE

SOFTWARE & SERVICES



FRIEDHELM LOH GROUP