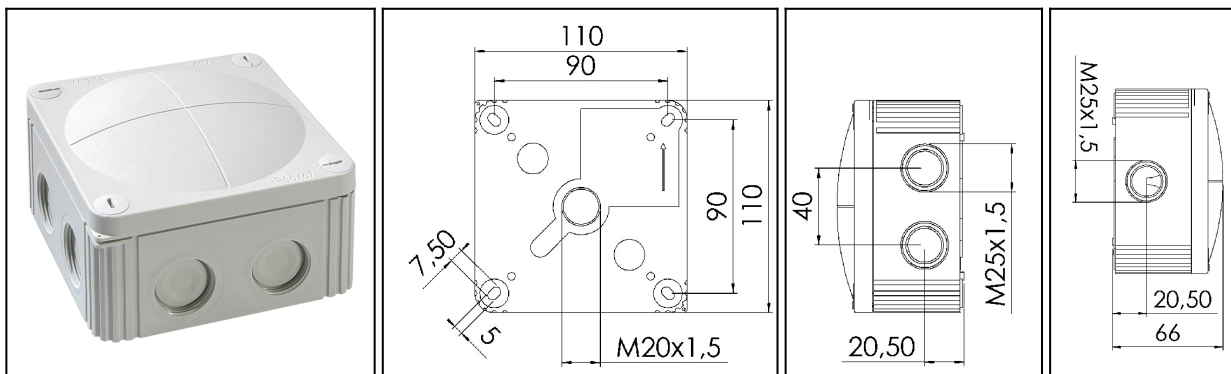


WISKA COMBI 607



- Protection class to EN 60 529:** IP 66 / 67
- Flame protection:** Glow wire test 750° C acc. to EN 60695-2-11
- Temperature range:** -5°C up to 60°C
- Voltage:** 690 V
- Material:** Polypropylene, reinforced glass fibre; sealing: thermoplastic elastomere
- Terminals/poles:** 6 mm²
- Fixing:** 4 internal openings outside of the sealing area
- Equipment:** Elastic self-sealing membranes for cable entry without mechanical devices: 7 inlets at the side and 3 inlets in the base
- 7 integrated M 25 threads, no locknuts necessary
 - 4 captive quick-release lid screws
 - Colour RAL 7035 light grey
 - .../S = black
 - .../W = white
 - .../ESKV incl. 3 pcs. ESKV M 25 (*Sealing range 9 - 17 mm)
- Accessories:**
- DIN RAIL KIT 607: Rail TS 35 + Fixing material, WISKA-No. 60361

| Type | WISKA-No. | | | | L x B x H external / upper mm |
|------------------|-----------|------|---------|---|-------------------------------------|
| COMBI 607/leer | 10060531 | 3/27 | 3 - 17 | | 110 x 110 x 66 |
| COMBI 607/leer/S | 10060648 | 3/27 | 3 - 17 | | 110 x 110 x 66 |
| COMBI 607/leer/W | 10060533 | 3/27 | 3 - 17 | | 110 x 110 x 66 |
| COMBI 607/ESKV | 10060529 | 3/27 | 3 - 17* | | 110 x 110 x 66 |
| COMBI 607/5 | 10060532 | 3/27 | 3 - 17 | | 110 x 110 x 66 |
| COMBI 607/5/S | 10060538 | 3/27 | 3 - 17 | | 110 x 110 x 66 |
| COMBI 607/5/W | 10060534 | 3/27 | 3 - 17 | | 110 x 110 x 66 |
| DIN RAIL KIT 607 | 10060361 | 1 | — | — | - |