

Rittal

**KL
Stahlblech**

**KL
Sheet steel**



KL 1500.510	KL 1513.510	KL 1533.510
KL 1501.510	KL 1514.510	KL 1534.510
KL 1502.510	KL 1515.510	KL 1535.510
KL 1503.510	KL 1516.510	KL 1536.510
KL 1504.510	KL 1517.510	KL 1537.510
KL 1505.510	KL 1518.510	KL 1538.510
KL 1506.510	KL 1519.510	KL 1539.510
KL 1507.510	KL 1527.510	KL 1540.510
KL 1508.510	KL 1528.510	KL 1541.510
KL 1509.510	KL 1529.510	KL 1542.510
KL 1510.510	KL 1530.510	KL 1589.510
KL 1511.510	KL 1531.510	
KL 1512.510	KL 1532.510	

Montage- und Bedienungsanleitung

Assembly and operating instructions

Notice de montage et mode d'emploi

Montage- en bedieningshandleiding

Montage- och bruksanvisning

Istruzioni di montaggio e uso

Instrucciones de montaje y empleo

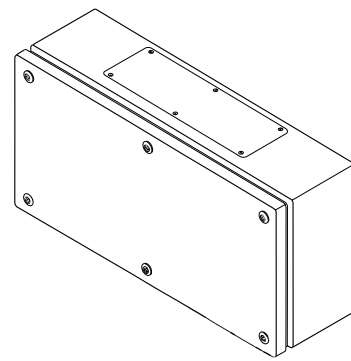
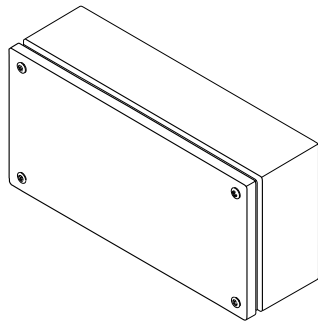
取扱説明書

Inhaltsverzeichnis

	Seite
Inhalt Versandbeutel	3
Montage Deckel	4
Montageplatte, Einbau	5
Tragschiene	5
Flanschplatte, Einbau	6
Schutzleiteranschluß	7
Wandbefestigung	8
Belastungstabelle	9
Verlustleistung	10
Schutzgrade	11

Table of contents

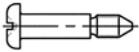

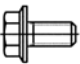
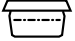


	Page
Contents of the accessory bag	3
Assembly of the cover	4
Mounting plate, installation	5
Support rail	5
Gland plate, installation	6
Earthing connection	7
Wall mounting	8
Load Table	9
Thermal energy dissipation	10
Degree of protection	11

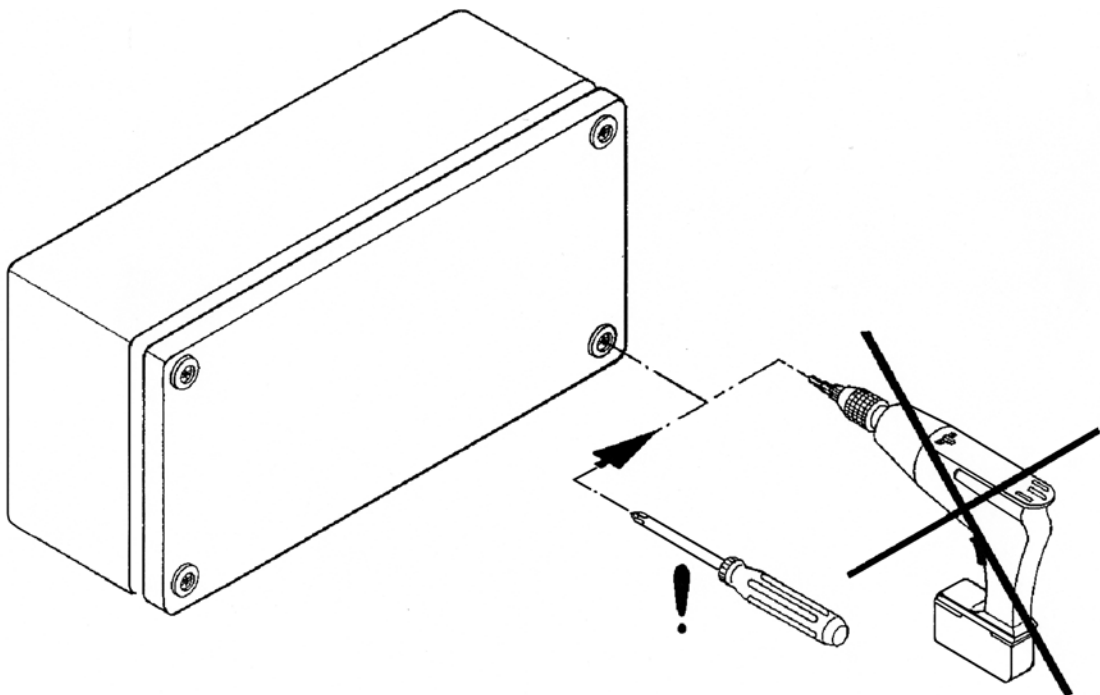
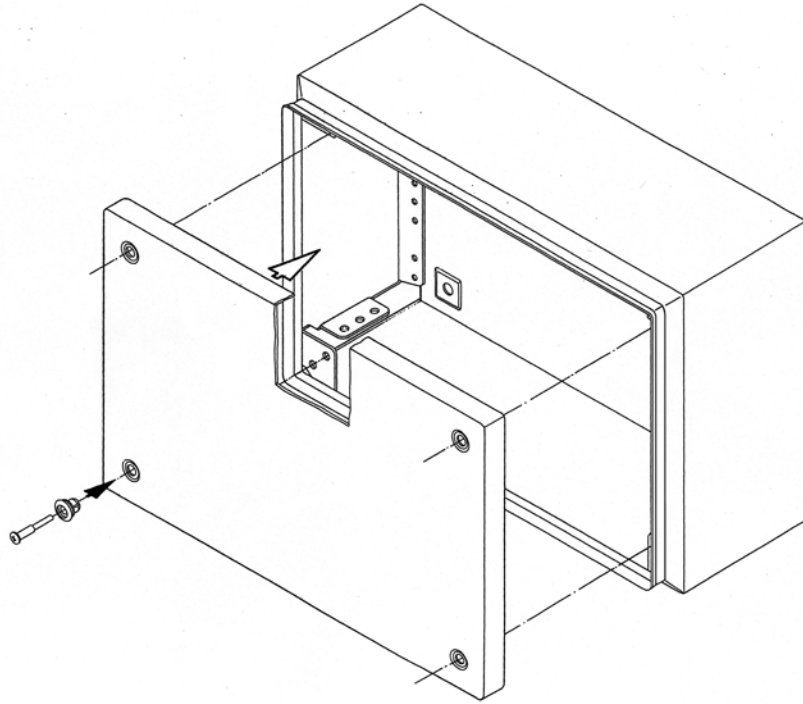
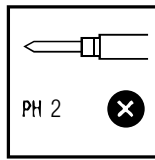
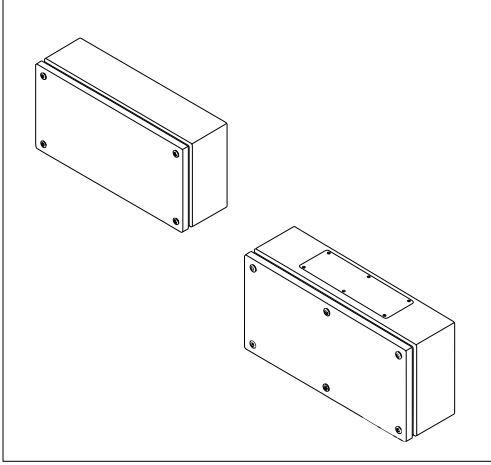


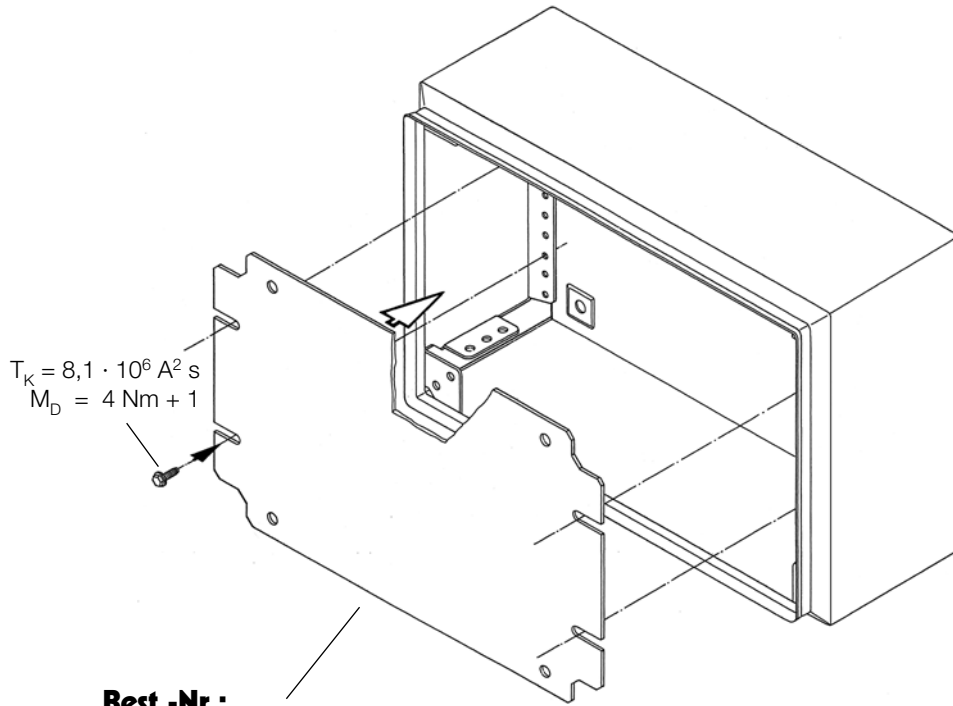
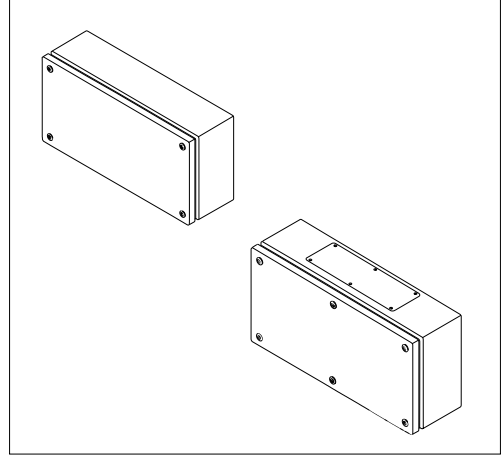
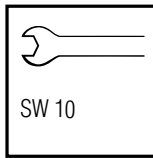
**Inhalt /
Versandbeutel**

**Contents /
Dispatch bag**

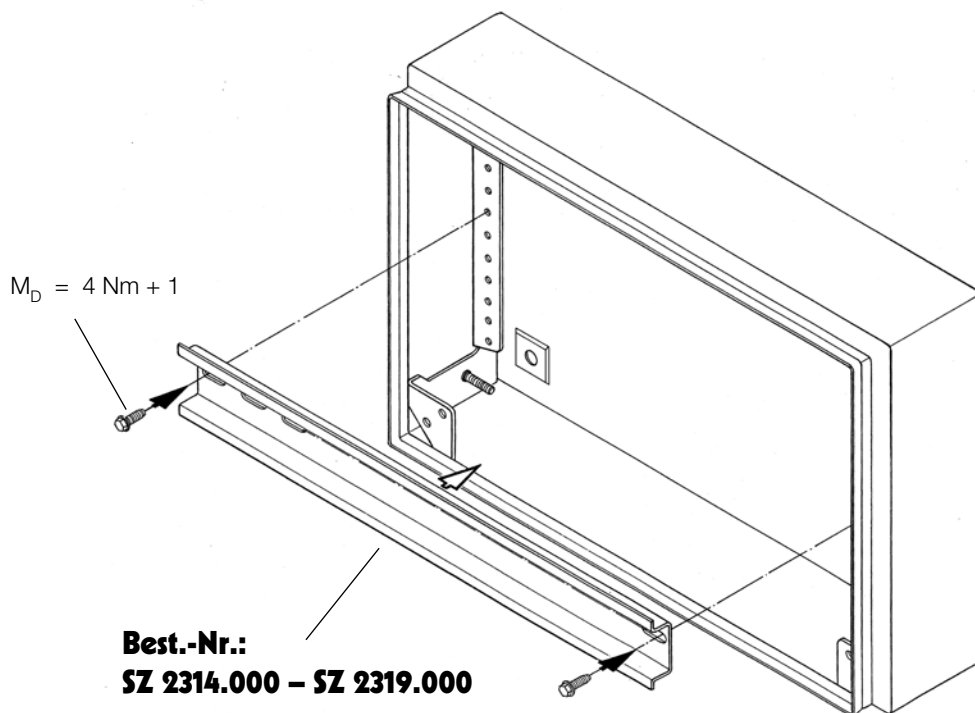
1500.510	1511.510								
1501.510	1514.510								
1502.510	1515.510								
1503.510	1516.510								
1504.510	1517.510								
1505.510	1518.510								
1507.510	1528.510	1506.510	1513.510	1530.510	1533.510	1538.510			
1508.510	1529.510	1510.510	1519.510	1531.510	1536.510	1540.510			
1509.510	1589.510	1512.510	1527.510	1532.510	1539.510	1542.510	1541.510	1534.510	1537.510

	M 5 x 35	4 x	6 x	4 x	4 x	6 x	6 x	6 x	4 x
		4 x	6 x	4 x	4 x	6 x	6 x	6 x	4 x
	M 5 x 10	4 x	4 x	4 x	4 x	4 x	4 x	4 x	4 x
	Ø 9	5 x	5 x	5 x	5 x	5 x	5 x	5 x	5 x
	Bz 4,2 x 9,5			12 x	24 x	36 x	48 x	24 x	36 x
		2 x	2 x	2 x	2 x	2 x	2 x	2 x	2 x

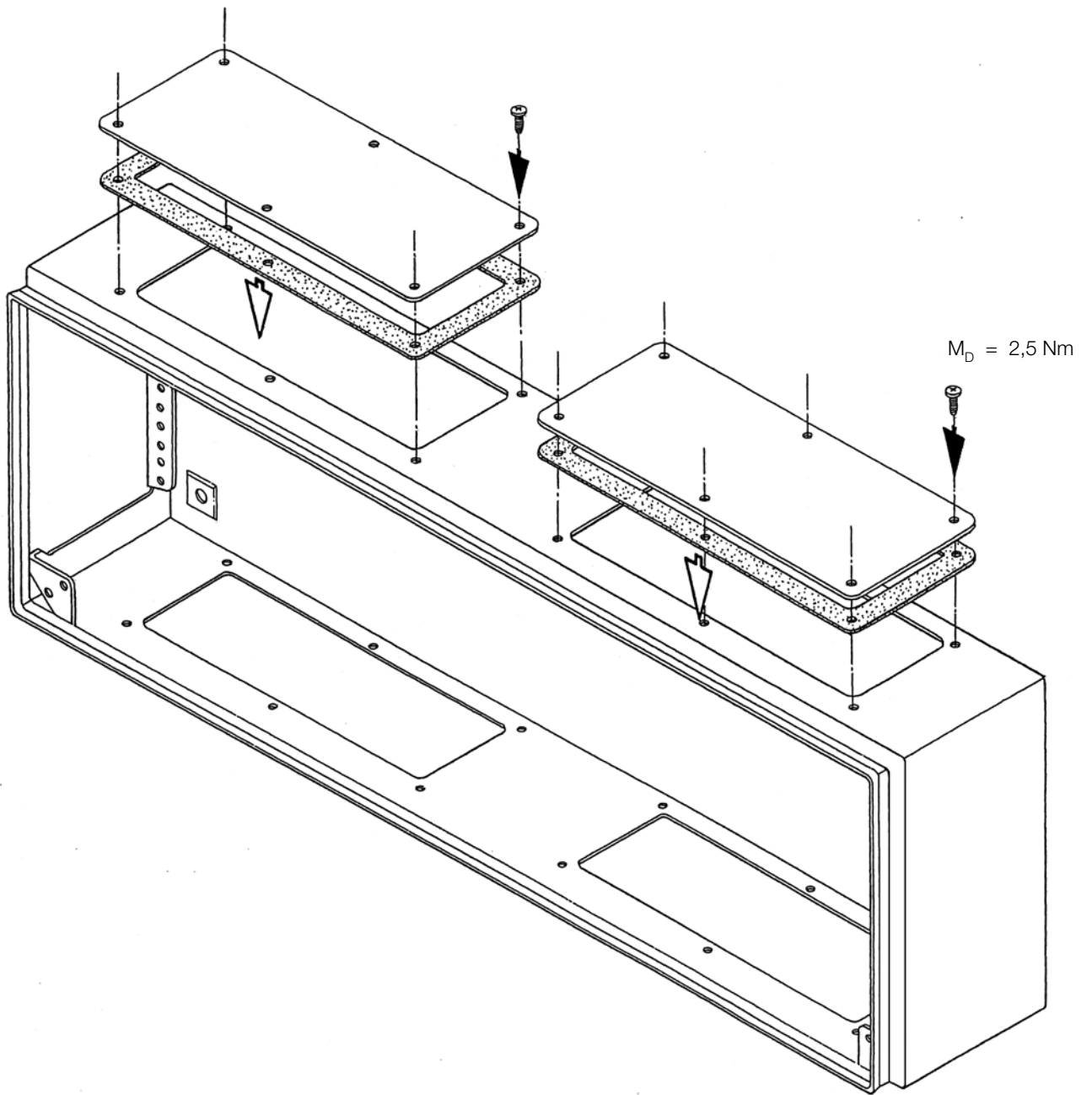
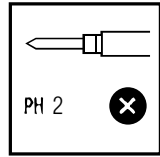
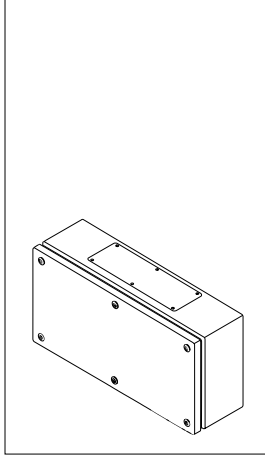


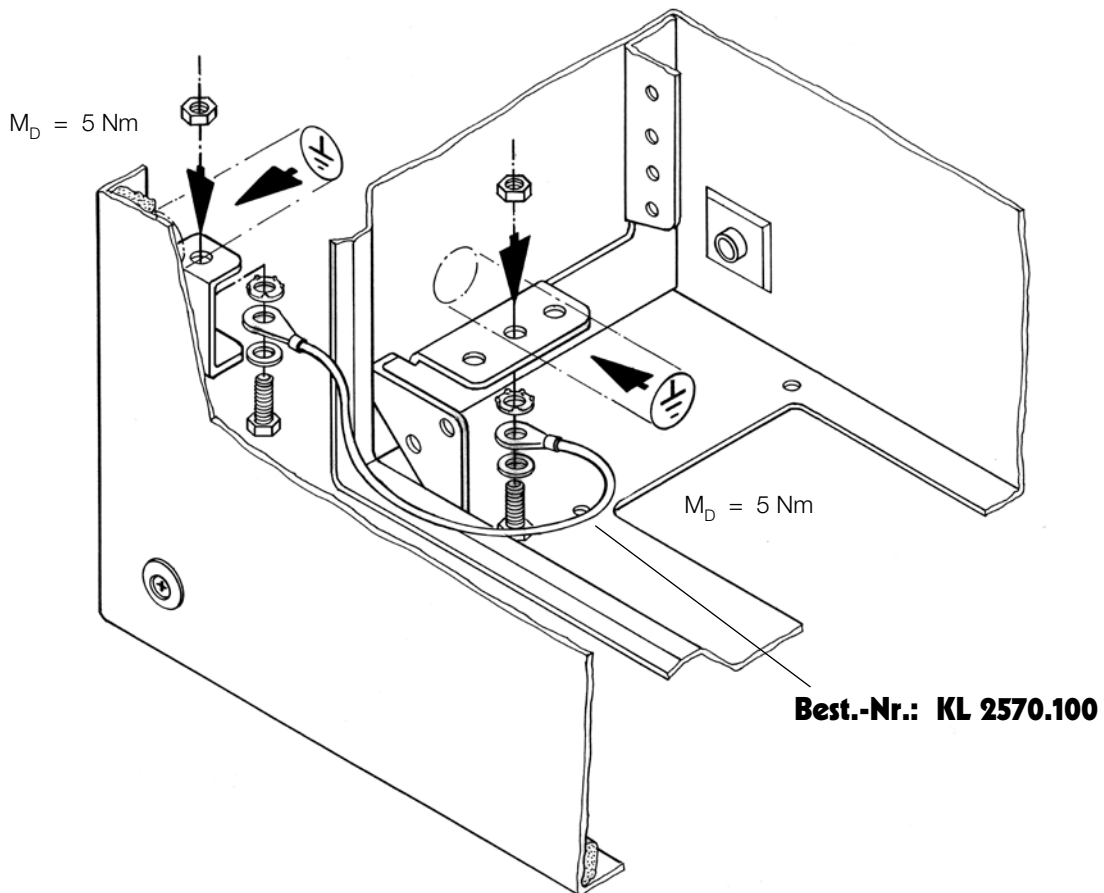
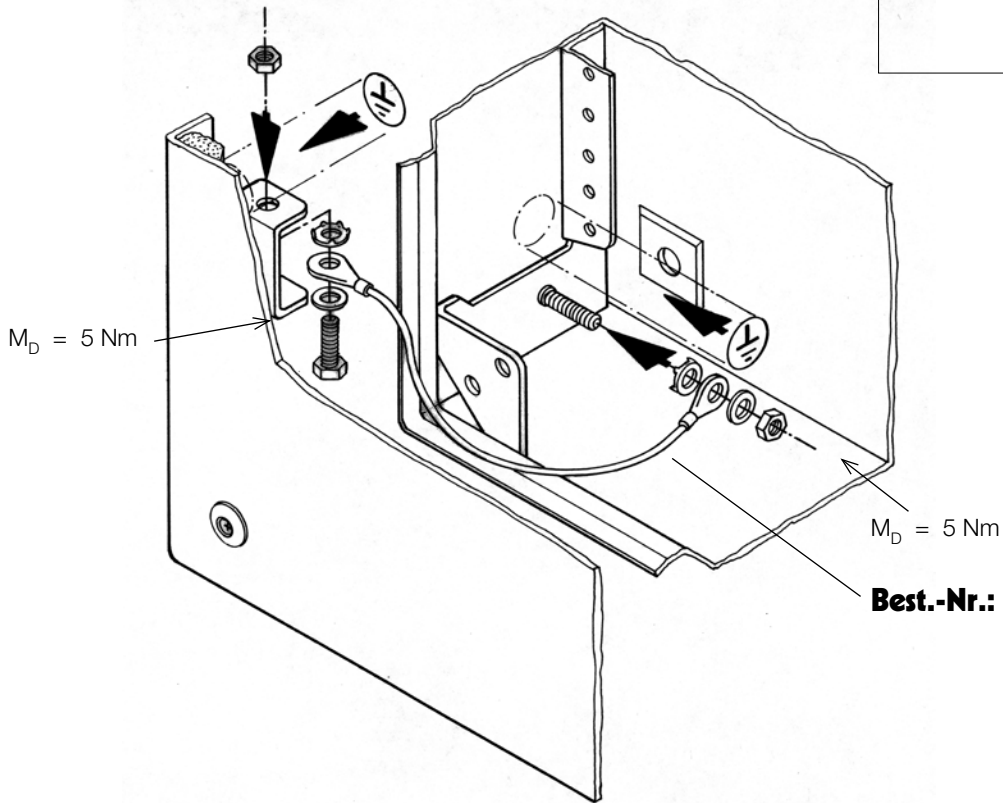
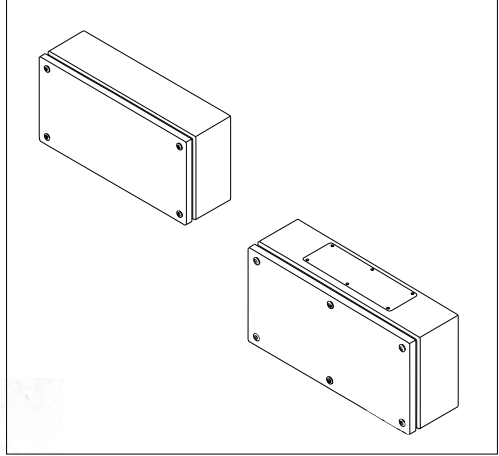
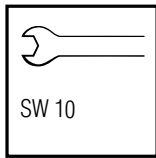


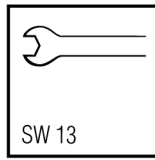
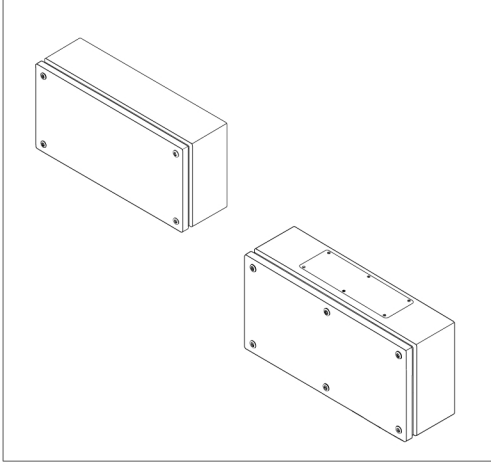
Best.-Nr.:
KL 1560.700 – KL 1576.700



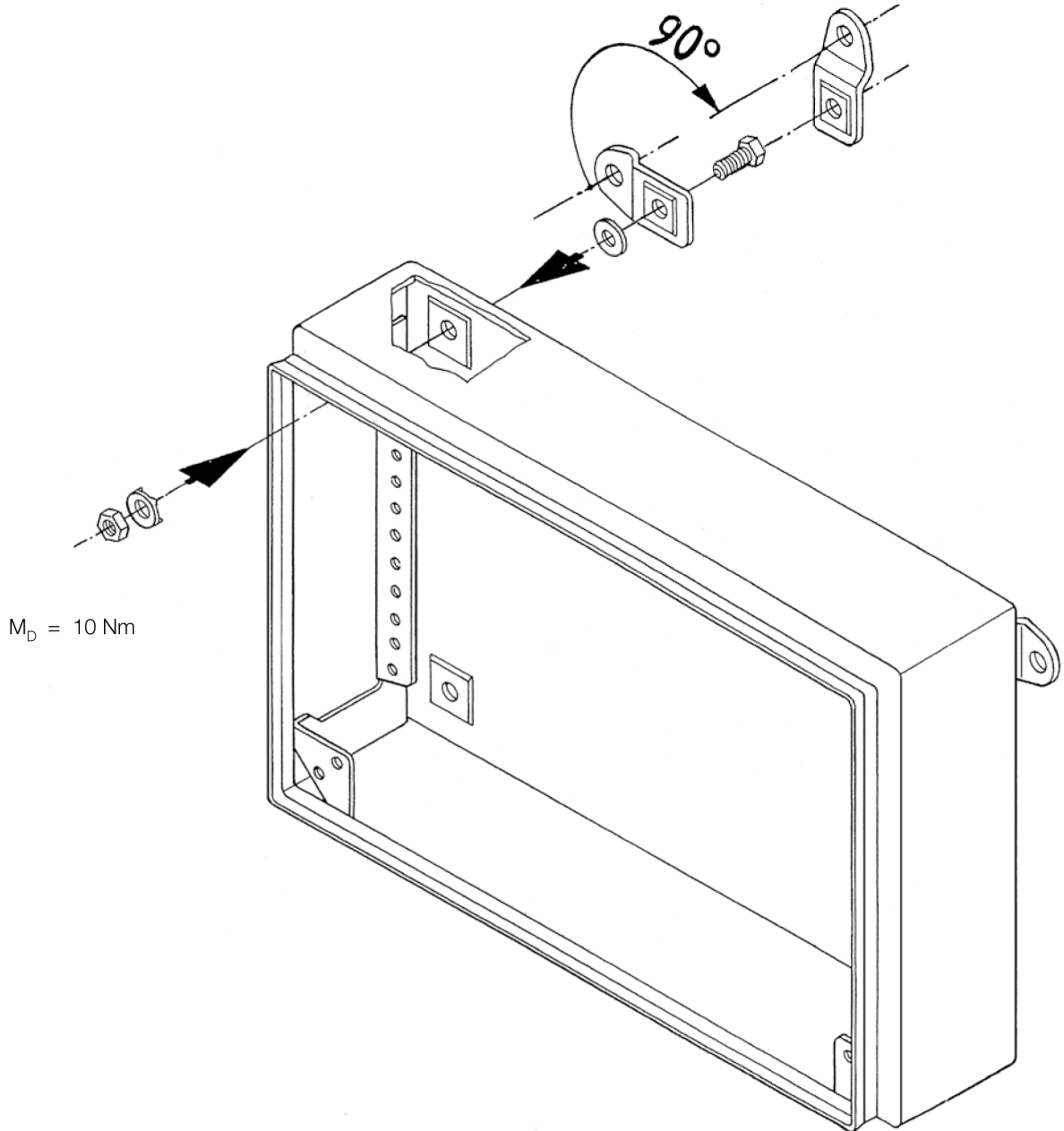
Best.-Nr.:
SZ 2314.000 – SZ 2319.000



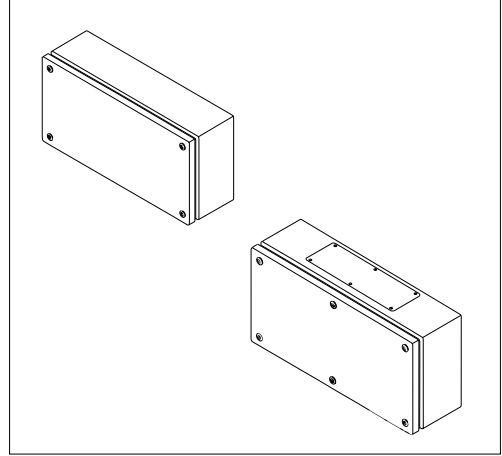




Best.-Nr.: KL 1590.000



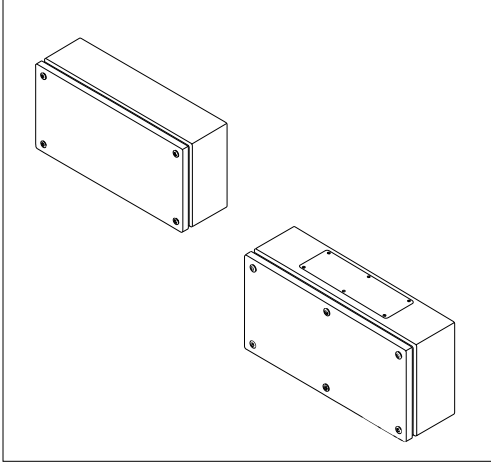
$M_D = 10 \text{ Nm}$



Technische Daten KL-Gehäuse

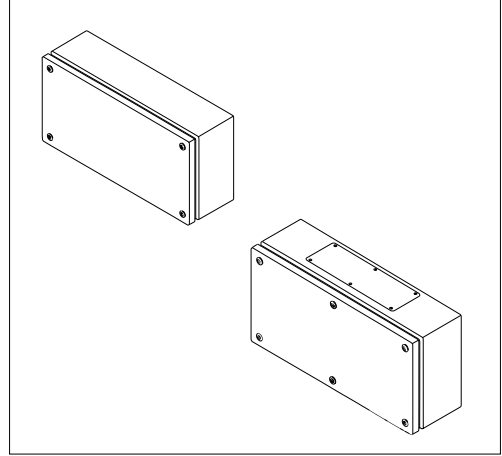
Technical Data

Best.-Nr.: Order Number:	Abmaße [mm] Dimensions [mm]			Volumen Volume [l]	Ausführung der Montageplatte Execution Mounting Plate		Belastungsangaben [N] Load [N]		
	Breite Width	Höhe Height	Tiefe Deep		Dicke Thickness	[mm] [mm]	Gesamt Entively	Montageplatte Mounting Plate	Tür Door
1514.510	150	150	80	1,80	2,0		200	100	50
1500.510	150	150	120	2,70	2,0				
1528.510	200	150	80	2,40	2,0				
1529.510	200	150	120	3,60	2,0		350	200	100
1516.510	200	200	80	3,20	2,0				
1502.510	200	200	120	4,80	2,0				
1515.510	300	150	80	3,60	2,0		250	100	100
1501.510	300	150	120	5,40	2,0				
1530.510	300	150	120	5,40	2,0				
1517.510	300	200	80	4,80	2,0		350	200	100
1503.510	300	200	120	7,20	2,0				
1531.510	300	200	120	7,20	2,0				
1507.510	300	300	120	10,80	2,0		650	400	200
1535.510	300	300	120	10,80	2,0				
1589.510	400	150	120	7,20	2,0		350	100	200
1518.510	400	200	80	6,40	2,0		650	400	200
1504.510	400	200	120	9,60	2,0				
1532.510	400	200	120	9,60	2,0				
1508.510	400	300	120	14,40	2,0				
1536.510	400	300	120	14,40	2,0				
1511.510	400	400	120	19,20	2,0				
1539.510	400	400	120	19,20	2,0				
1505.510	500	200	120	12,00	2,0				
1533.510	500	200	120	12,00	2,0				
1509.510	500	300	120	18,00	2,0				
1537.510	500	300	120	18,00	2,0		900	600	250
1519.510	600	200	80	9,60	2,0				
1506.510	600	200	120	14,40	2,0				
1534.510	600	200	120	14,40	2,0				
1510.510	600	300	120	21,60	2,0				
1538.510	600	300	120	21,60	2,0				
1512.510	600	400	120	28,80	2,0				
1540.510	600	400	120	28,80	2,0				
1527.510	800	200	120	19,20	2,0				
1542.510	800	200	120	19,20	2,0				
1513.510	800	400	120	38,40	2,0				
1541.510	800	400	120	38,40	2,0				



Thermische Wärmeabfuhr KL-Gehäuse in Abhängigkeit vom Einbauort
Thermal energy dissipation as a function of the location

Best.-Nr.: Order Number :			
	W (Delta / T = 20K)		
1500.510	11	10	7
1501.510	18	17	12
1502.510	17	14	11
1503.510	22	20	14
1504.510	28	24	19
1505.510	34	30	23
1506.510	40	34	26
1507.510	31	26	21
1508.510	39	33	26
1509.510	46	40	32
1510.510	54	46	37
1511.510	48	42	34
1512.510	68	57	47
1513.510	88	74	62
1514.510	9	8	6
1515.510	15	13	10
1516.510	13	12	9
1517.510	19	17	13
1518.510	24	21	17
1519.510	34	29	24
1527.510	52	44	35
1528.510	11	10	8
1529.510	13	12	9
1530.510	18	17	12
1531.510	22	20	14
1532.510	28	24	19
1533.510	34	30	23
1534.510	40	34	26
1535.510	31	26	21
1536.510	39	33	26
1537.510	46	40	32
1538.510	54	46	37
1539.510	48	42	34
1540.510	68	57	47
1541.510	88	74	62
1542.510	52	44	35
1589.510	23	20	15



Schutzgrade KL Degrees of protection

Best.-Nr.: Order Number :	Schutzgrad / Degree of protection		
	IP ¹⁾	IK ²⁾	NEMA ³⁾
1500.510	66	08	4
1501.510	66	08	4
1502.510	66	08	4
1503.510	66	08	4
1504.510	66	08	4
1505.510	66	08	4
1506.510	66	08	4
1507.510	66	08	4
1508.510	66	08	4
1509.510	66	08	4
1510.510	66	08	4
1511.510	66	08	4
1512.510	66	08	4
1513.510	66	08	4
1514.510	66	08	4
1515.510	66	08	4
1516.510	66	08	4
1517.510	66	08	4
1518.510	66	08	4
1519.510	66	08	4
1527.510	66	08	4
1528.510	66	08	4
1529.510	66	08	4
1530.510	55	08	12
1531.510	55	08	12
1532.510	55	08	12
1533.510	55	08	12
1534.510	55	08	12
1535.510	55	08	12
1536.510	55	08	12
1537.510	55	08	12
1538.510	55	08	12
1539.510	55	08	12
1540.510	55	08	12
1541.510	55	08	12
1542.510	55	08	12
1589.510	66	08	4

1) nach IEC 60529

2) nach DIN EN 50102

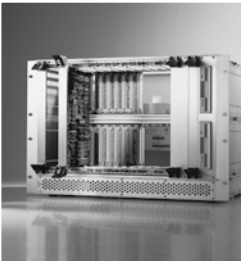
3) nach NEMA-Standards (Publikation Nr. 250, bis 1000 V Maximum)



Schaltschrank-Systeme
Industrial enclosures
Coffrets et armoires électriques
Kastsystemen
Apparatskåpssystem
Armadi per quadri di comando
Sistemas de armarios
インダストリアル エンクロージャー



Stromverteilung
Power distribution
Distribution de courant
Stroomverdelingscomponenten
Strömfördelning
Distribuzione di corrente
Distribución de corriente
分電・配電システム



Elektronik-Aufbau-Systeme
Electronic packaging
Electronique
Electronic Packaging Systems
Electronic Packaging
Contenitori per elettronica
Sistemas de montaje para la electronica
エレクトロニクス パッケージシステム



System-Klimatisierung
System climate control
Climatisation
Systeemklimatisering
Systemklimatisering
Soluzioni di climatizzazione
Climatización de sistemas
温度管理システム



IT-Solutions
IT solutions
Solutions IT
Informatie en Communicatie Technologie
IT-lösningar
Soluzioni per IT
Soluciones TI
ITソリューション



Communication Systems
Communication systems
Armoires outdoor
Outdoor-behuizingen
Communication Systems
Soluzioni outdoor
Sistemas de comunicación
コミュニケーションシステム