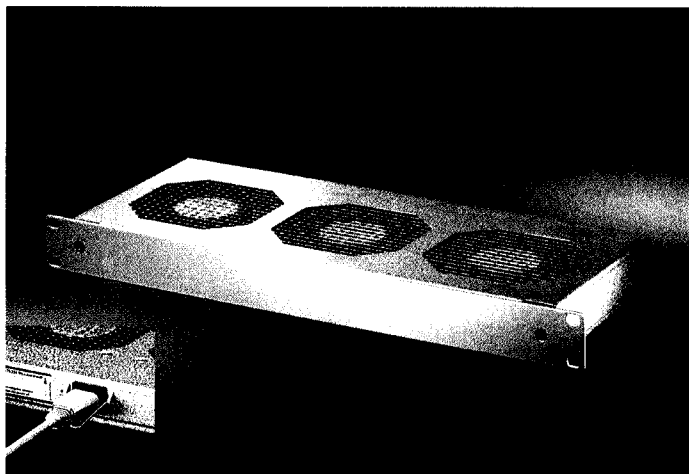


19" fan units

Standard types

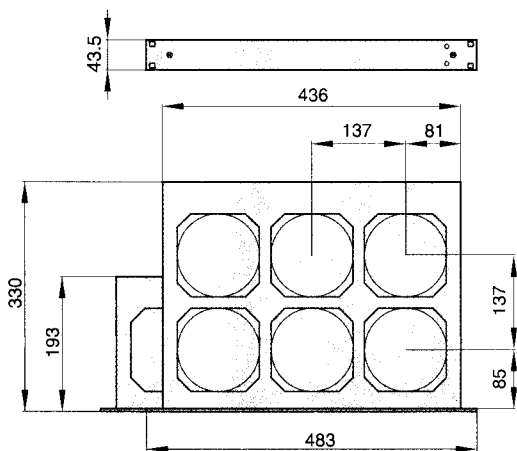


19" fan unit 1 U without illuminated switch

- High airflow
- Touch protection to EN 60 292 parts 1 and 2
- Can be assembled to subracks
- Mechanical safety device for power lead



Dimensions



KTA44306

Delivery comprises

Item	Qty	Description	Material	Finish	Notes
1	1	Front panel	Al 3 mm	anodized	
2	1	Housing	St 1 mm	Al Zn	
3	1	Grille			
4	Depends on version	Fan			See technical data
5	1	Industrial plug		black	Mains/line input
6	1	Safety device	St	Zn-plated	Mechanical safety device for power lead

Delivery: items 1 - 5 assembled

RS291-8694 = 1
RS291-8701 = 2

Technical data for the individual fans

	Unit	230		115		24
Voltage	V	50	60	50	60	DC
Frequency	Hz	50	60	50	60	DC
Air capacity	m ³ /h	162	192	162	192	184
Noise per fan	dB (A)	37	41	37	41	42
Max. static pressure	Pa	73	88	73	88	68
Max. ambient temperature	°C	+70		+70		+70
Power consumption	W	15	14	15	14	8

19" fan unit 1 U without switch	①	②
Number of fans	3	6
Operating voltage	230 V 50 ... 60 Hz	10713-100
	115 V 50 ... 60 Hz	10713-102
	24 V ¹⁾ DC	10713-103
Mains/line connection lead 2.5 m - for AC fans	SCHUKO/UTE: 60103-131	BS: 60103-137 I.E.C.: 60103-141
Subrack/fan unit adaptor	21101-104	

1) The 1.5 m connection cable is supplied with units operating at 24 V DC