

Fuse Carriage with Handle for OGN, OGN-SMD

new



2.5W/10A



Description

- Better access to fuse-links on PCB's

Applications

- Printed circuit boards with tightly packed components. Colour coding allows for quick and safe replacement of fuses.

References

Mating adapter to [OGN](#); [OGN-SMD](#)

Weblinks

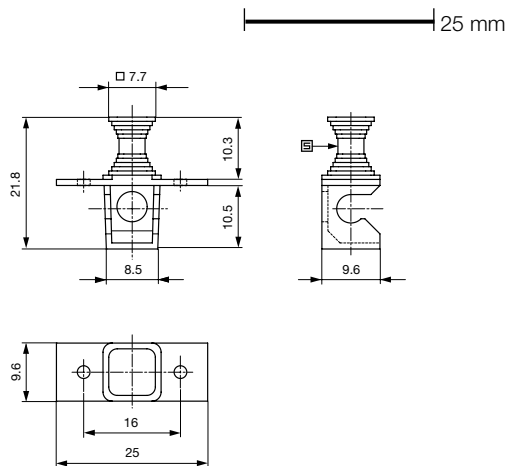
[pdf-datasheet](#), [html-datasheet](#), [General Product Information](#), [Approvals](#), [CE declaration of conformity](#), [RoHS](#), [CHINA-RoHS](#), [REACH](#), [e-Shop](#), [SCHURTER-Stock-Check](#), [Distributor-Stock-Check](#), [Detailed request for product](#)

Technical Data

| | |
|------------------------------|--------------------------------------|
| Fuse-Link | 5 x 20 mm |
| Rated Power Acceptance IEC | 2.5W / 10A @ Ta 23 °C |
| Admissible Ambient Air Temp. | -40 °C to 85 °C |
| Material: Cover | Thermoplastic black / white UL 94V-0 |
| Storage Conditions | 0 °C to 60 °C, max. 70% r.h. |

| | |
|--------------------|---------------|
| Contact Resistance | < mΩ at 20 mV |
|--------------------|---------------|

Dimension



Packaging Unit

Bulk (100 pcs.)