

Circuit Alert Fuse

Standard Type Fuse, 12 VDC

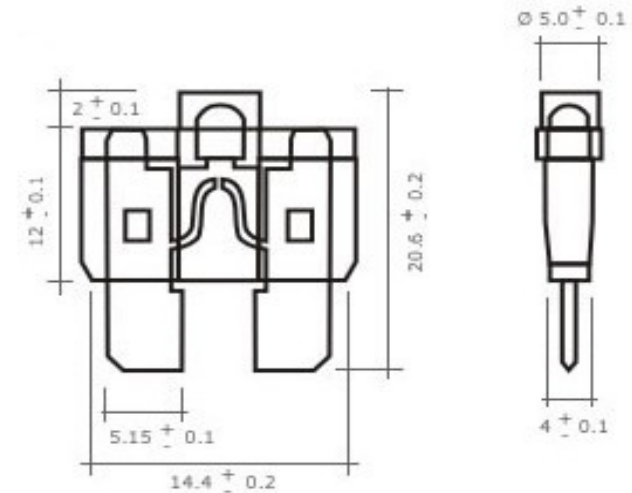
Characteristics

% of Rating	Opening Time	
	Min.	Max.
110%	100 hrs	100 hrs
135%	0.75 s	1800 s
200%	0.15 s	5 s

SAE J.1284

Rating & colour code

Part number	Current rating (A)	Housing colour
0CAS003	3	Violet
0CAS005	5	Tan
0CAS07.5	7.5	Brown
0CAS010	10	Red
0CAS015	15	Blue
0CAS020	20	Yellow
0CAS025	25	Clear
0CAS030	30	Green



Fuses are available in: 3 piece Blister pack (XBP), 10 piece Trade pack (TXN) and 100 piece Bulk pack (H)
There is also an 5 piece assortment available in Blister pack (0CASASS1XBP), containing Fuses 5A till 20A.

Housing : Heat and fire resisting transparent resin
Fuse element : Zinc Alloy
Bulb : Ø2.3*4.5mm / 14V / 0.04Amp

Please note: due to the 14V bulb, this fuse is not suitable for 24V applications

Circuit Alert Fuse

Mini Type Fuse, 12 VDC

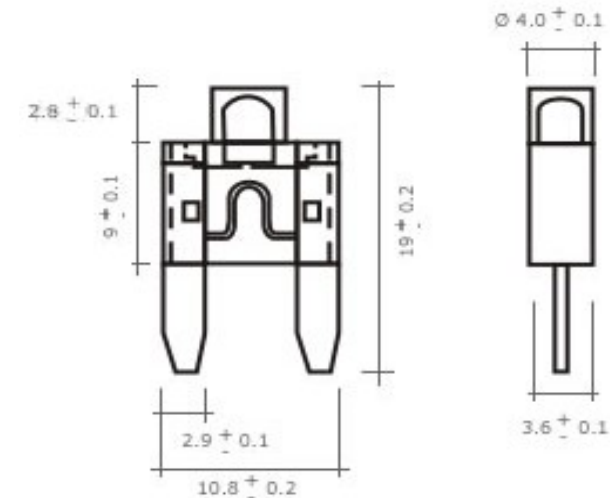
Characteristics

% of Rating	Opening Time	
	Min.	Max.
110%	100 hrs	100 hrs
135%	0.75 s	1800 s
200%	0.15 s	5 s

SAE J.2077

Rating & colour code

Part number	Current rating (A)	Housing colour
0CAM003	3	Violet
0CAM005	5	Tan
0CAM07.5	7.5	Brown
0CAM010	10	Red
0CAM015	15	Blue
0CAM020	20	Yellow
0CAM025	25	Clear
0CAM030	30	Green



Fuses are available in: 3 piece Blister pack (XBP), 10 piece Trade pack (TXN) and 100 piece Bulk pack (H)
There is also an 5 piece assortment available in Blister pack (0CAMASS1XBP), containing Fuses 5A till 20A.

Housing : Heat and fire resisting transparent resin
Fuse element : Zinc Alloy
Bulb : Ø2.3*4.5mm / 14V / 0.04Amp

Please note: due to the 14V bulb, this fuse is not suitable for 24V applications