

MINI[®] BLADE FUSE RATED 32V



Specifications

Interrupting Rating:	1000A @ 32 VDC
Voltage Rating:	32 VDC
Operating Temperature Range:	-40°C to +125°C
Terminals:	Ag plated zinc alloy
Housing Materials:	PA66
Complies with:	Meets SAE J2077 ISO 8820-3 UL 248 Special Purpose Fuses

Ordering Information

Part Number	Package Size
0297xxx.WXNV	3000
0297xxx.U	500
0297xxx.H	100
0297xxx.L	50

Description

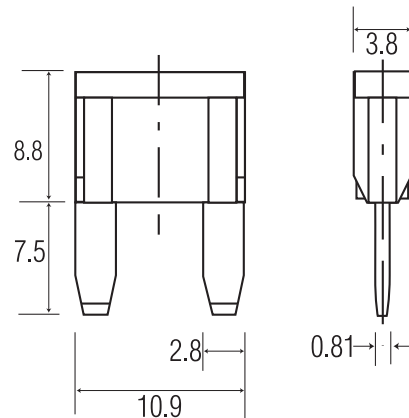
The MINI[®] Fuse is quickly becoming the new standard for vehicle circuit protection. Its miniature design meets the need for more circuits to be protected while utilizing less space, and its ability to cope with high temperatures in adverse environments makes the MINI[®] Fuse the recommended choice for protection.

Time-Current Characteristics

% of Rating	Opening Time Min / Max (s)
110	360,000 s / -
135	0.75 s / 600 s
200	0.15 s / 5 s
350	0.080 s / 0.250 s
600	0.030 s / 0.100 s

Dimensions

Dimensions in mm



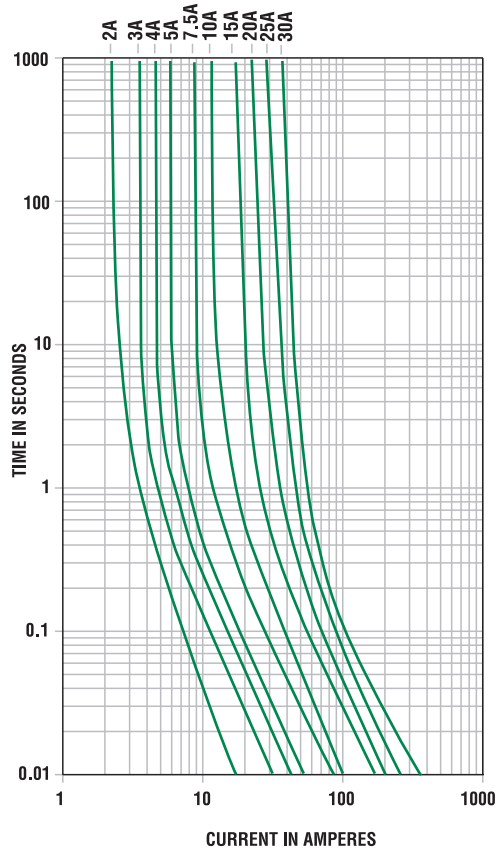
Ratings

Part Number	Current Rating	Housing Color	Typ. Voltage Drop	Cold Resistance	I ² t
0297002._	2 A	Grey	171 mV	55.60 mΩ	2.8 A ² s
0297003._	3 A	Purple	153 mV	33.75 mΩ	9.4 A ² s
0297004._	4 A	Pink	121 mV	23.48 mΩ	17 A ² s
0297005._	5 A	Orange	129 mV	17.75 mΩ	25 A ² s
029707.5_	7.5 A	Brown	135 mV	10.85 mΩ	68 A ² s
0297010._	10 A	Red	108 mV	7.42 mΩ	93 A ² s
0297015._	15 A	Blue	98 mV	4.58 mΩ	270 A ² s
0297020._	20 A	Yellow	96 mV	3.21 mΩ	380 A ² s
0297025._	25 A	White	86 mV	2.36 mΩ	625 A ² s
0297030._	30 A	Green	87 mV	1.85 mΩ	1130 A ² s

MINI[®] BLADE FUSE RATED 32V



Time-Current Characteristic Curves



Temperature Derating Curve

