

Shock-Safe Fuseholder, 5 x 20 mm, Fingergrip, horizontal oder vertical



250 VAC/DC · 1.3W/10A10A (UL/CSA)



### Description

- Screw type fuse carrier
- PCB mounting horizontal or vertical

### Standards

- UL 4248-1 / UL 512
- CSA C22.2 no. 39

### Approvals

- UL File Number: E41738

### Weblinks

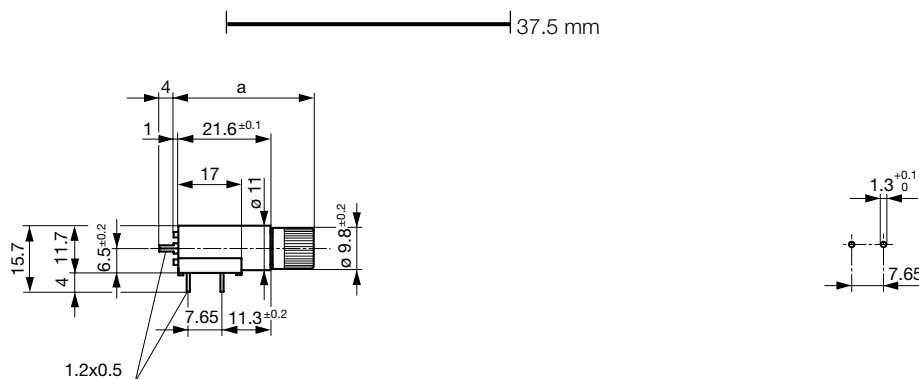
[pdf-datasheet](#), [html-datasheet](#), [General Product Information](#), [Approvals](#), [CE declaration of conformity](#), [RoHS](#), [CHINA-RoHS](#), [REACH](#), [e-Shop](#), [SCHURTER-Stock-Check](#), [Distributor-Stock-Check](#), [Detailed request for product](#)

### Technical Data

Fuse-Link	5 x 20 mm
Mounting	PCB
Terminal	Solder THT
Rated Voltage	250 VAC/DC
Rated current	10 A (UL/CSA)
Rated Power Acceptance IEC	1.3W / 10A @ Ta 23 °C
Degree of Protection	IP 40
Protection Class	Suitable for appliances with protection class I or II acc. to IEC 61140
Admissible Ambient Air Temp.	-40 °C to 85 °C
Climatic Category	40/085/56 acc. to IEC 60068-1
Material: Socket	Thermoset, black
Material: Cap	Thermoplastic, black
Unit Weight	6 g
Storage Conditions	0 °C to 60 °C, max. 70% r.h.
Product Marking	☐, Type, Rated voltage, Rated current, Approvals

Soldering Methods	Wave
Contact Resistance	< mΩ at 20 mV
Resistance to Vibration	acc. to NF C 20-706 / IEC 60068-2-6, test Fc
Shocks	acc. to NF C 20-706 / IEC 60068-2-27
Bumps	acc. to NF C 20-729 / IEC 60068-2-29





### Dimension



a = 33.5 Variants 7091.4210, 7091.4240 and 7091.4270  
a = 38.5 Variant 7091.4400

Drilling diagram

## All Variants

Holder	Cap	Mounting	Degree of Protection	   	Reference	Order Number
●	Fingergrip	horizontal / vertical	IP 40	● ● ● ●	231409	7091.4210
●	Fingergrip	vertical	IP 40	●	231409L	7091.4240
●	Fingergrip	horizontal	IP 40	●	231409F	7091.4270
●	Fingergrip	vertical	IP 40		231632NL	7091.4400

Most Popular.

Availability for all products can be searched real-time:<http://www.schurter.com/en/Stock-Check/Stock-Check-SCHURTER>

**Packaging Unit** Bulk (10 pcs.)