

# Hypra™ plastic and metal

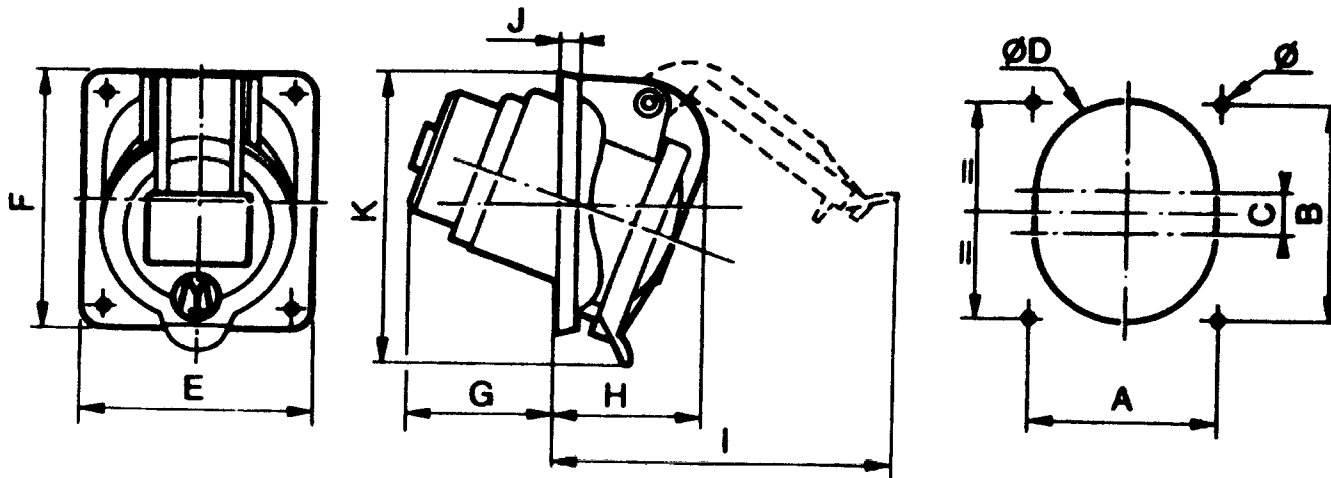
**LV 16 and 32 A – IP 44-7**

**Conform to BS 4343, CEE 17, IEC 309, EN 60 309-1**

**Panel sockets – inclined**

**LV 16 and 32 A**

**drilling:**



		A	B	C	D	E	F	G	H	I	J	K	Ø	
16 A	2 P + E	52	60	11.5	50.5	64	72	41	40	94	5.5	78.5	4.5	RS 190-3067, 190-5120
	3 P + E	60	70	7.5	65	74	84	44	40	98	5.5	88	4.5	RS 172-8793
	3 P + N + E	60	70	7.5	65	74	84	44	44	110	5.5	93	4.5	RS 190-3073
32 A	2 P + E/ 3 P + E	70	80	10	73	84	94	50	53	120	5.5	103	5.5	RS 190-5243, 190-5259, 172-8866
	3 P + N + E	70	80	10	73	84	94	52	56	124	5.5	107	5.5	RS 190-5265