

Thermal Circuit Breaker TCP../DC 32 V

Thermal circuit breaker, can be switched back on again, very compact, to protect 12 and 24 V on-board systems and devices in trucks, buses and commercial vehicles as well as boats and low-voltage systems in chargers for solar systems, for example. In contrast to the TCP, the TCP../DC32V does not offer the option of switching off the current circuit manually. The fact that it can be switched back on, however, increases the availability of the devices and low-voltage systems and it is no longer necessary to have replacement fuses in the vehicle. In addition, errors resulting from the wrong fuse being used are avoided due to the clear color coding of the TCP../DC32V.

The TCP../DC32V thermal circuit breaker fits in all fuse holders designed for flat-type fuse inserts in acc. with ISO 8820-3 (DIN 72581-3). This means that it can be plugged onto the UK 6-FSI/C... fuse base terminal blocks with the screw connection technology and on the ST 4-FSI/C... with the spring-cage connection technology. Potential distribution can be implemented conveniently for both terminal types using bridges.



Thermal Circuit Breaker

TCP.../DC32V



| | |
|-----------------|-------------|
| | U [V DC] |
| Connection data | max.32 |

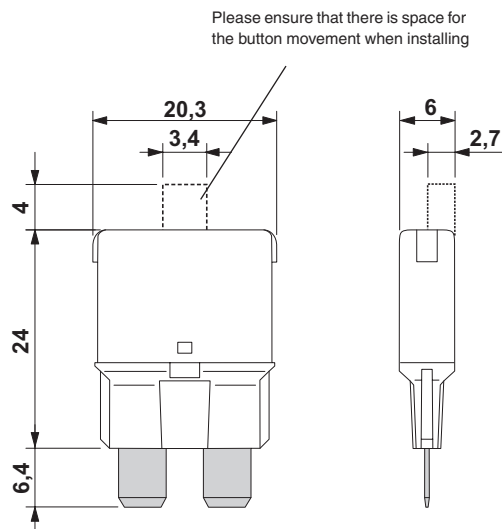
Technical data

| 1-pos. thermal circuit breaker, for fuse holder in acc. with ISO 8820-3, can be plugged onto UK 6-FSI/C and ST 4-FSI/C base terminal block | Nom. current [A] | Color |
|---|---------------------|-------------|
| | 5 | light brown |
| | 7.5 | brown |
| | 10 | red |
| | 15 | blue |
| | 20 | yellow |
| | 25 | white |
| | 30 | green |

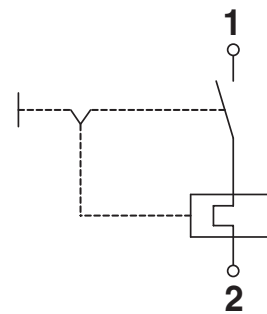
| Technical data in accordance with IEC/ DIN VDE | |
|--|--------|
| Nominal voltage | [V DC] |
| Nominal current | [A] |
| Voltage drop at nominal current | [mV] |
| Ambient temperature (operation) | [°C] |
| Weight | [g] |
| Switching capacity | |
| Limit short circuit switch-off capacity | [A] |
| Service life | |
| Cycles with ≤ 50 A | - |
| Degree of protection (IEC 60529) | - |

| Type | Order No. | Pcs. Pkt. |
|---------------|---|--------------|
| TCP 5/DC32V | 0700005 | 50 |
| TCP 7,5/DC32V | 0700007 | 50 |
| TCP 10/DC32V | 0700010 | 50 |
| TCP 15/DC32V | 0700015 | 50 |
| TCP 20/DC32V | 0700020 | 50 |
| TCP 25/DC32V | 0700025 | 50 |
| TCP 30/DC32V | 0700030 | 50 |
| | 32 | |
| | 5, 7.5, 10, 15, 20, 25, 30 | |
| | < 150 | |
| | -30...+60 | |
| | approx.5 | |
| | ≥ 3 switch-offs of 150 A or ≥ 1switch-off of 2000 A | |
| | 300 | |
| | operating field IP30 / connection area IP00 | |

Dimensional drawing



Circuit diagram

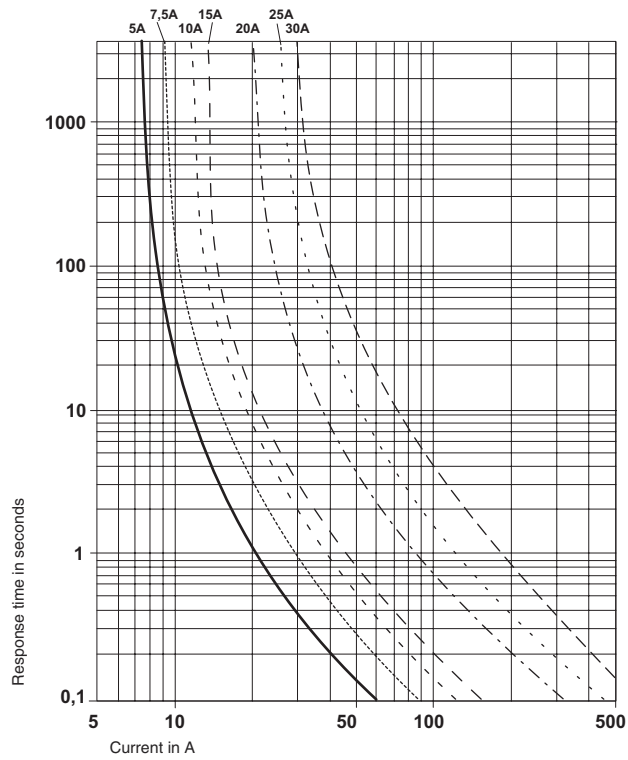


Attention: The reset button must not be blocked!

Technical data for TCP../DC32V

Time/current characteristic curve

Total switch-off period for nominal current



Total switch-off period for nominal current dependent on the ambient temperature

