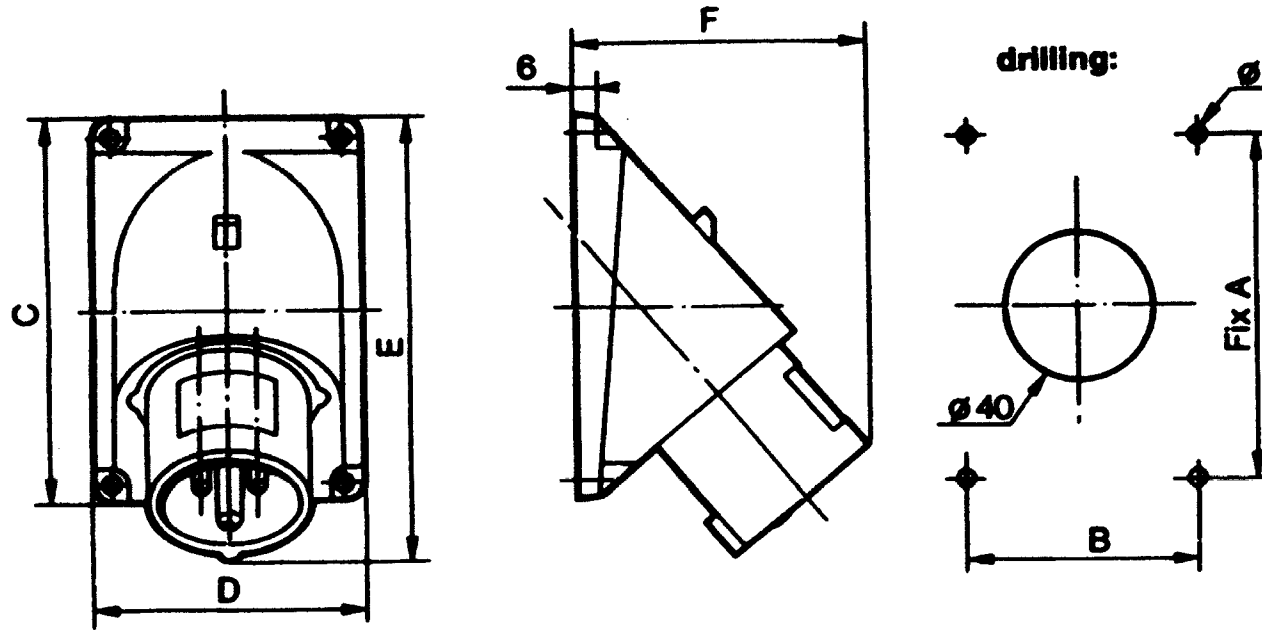


Panel appliance inlet LV 16 and 32 A



legrand

Hypra™ plastic
Industrial plugs and sockets
IP 44-7

LV 16 A, 32 A and 63 A

**Conform to BS 4343, CEE 17,
IEC 309 and EN 60 309**

Material: Polyamide 6 for 16 A
and 32 A
Valox resin for 63 A

Self-extinguishing: 850°C

Stainless steel external screws

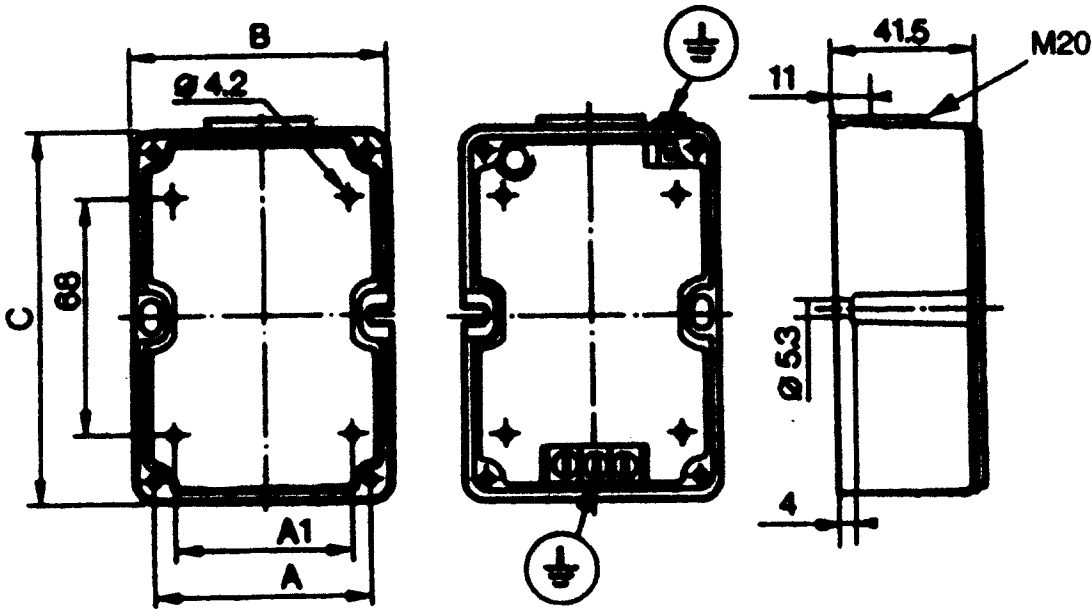
Temp rating: -25°C to +40°C

		A	B	C	D	E	F	Ø
2 P + E	16 A	94	62	104	72	121	78	4.5
	32 A	149	90	160	101	176	111	5.5

RS 190-3095, 190-3103

RS 190-5271, 190-5287

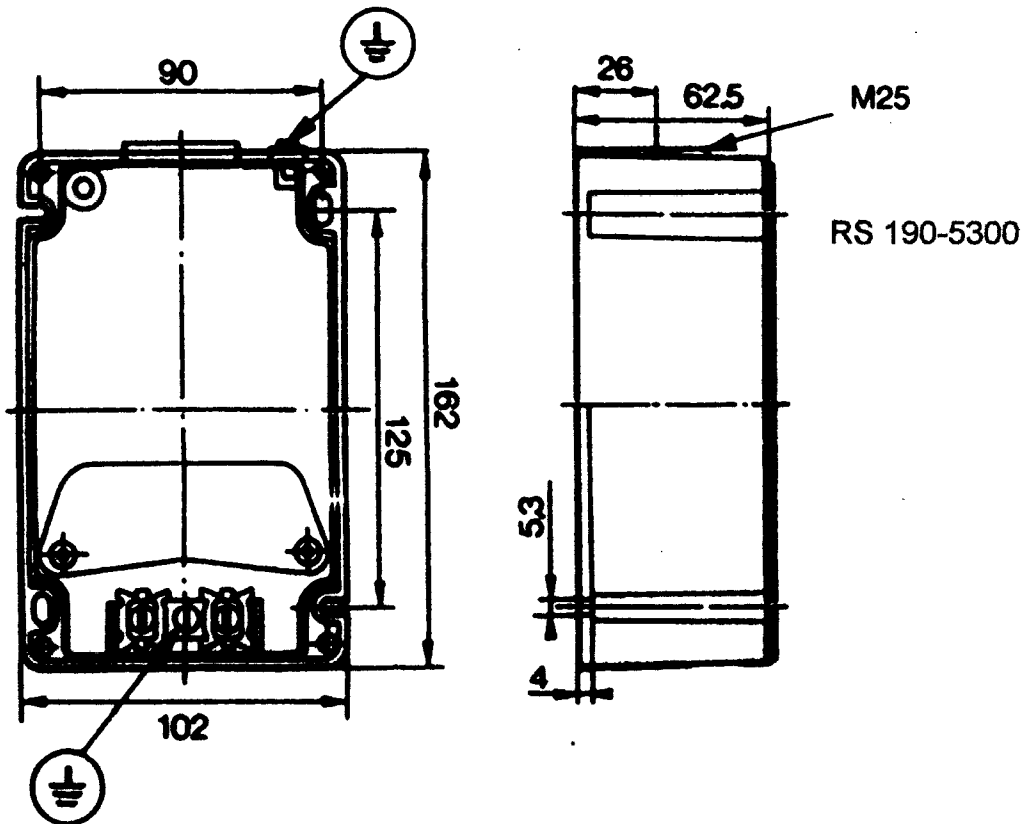
LV 16, 32 and 63 A – IP 44-7
Surface boxes for appliance inlets
LV 16 A



	A	A1	B	C
2 P + E	64	51	74	106
3 P + E	85	68	96	122
3 P + N + E				

RS 190-3124

LV 32 A



RS 190-5300