

FLR PCB FUSE HOLDER FOR ATO® STYLE BLADE FUSE RATED 80V

RoHS



Description

PCB Fuse Holder for ATO / FKS size fuse-links. For through hole soldering. Rated voltage 80V.

Specifications

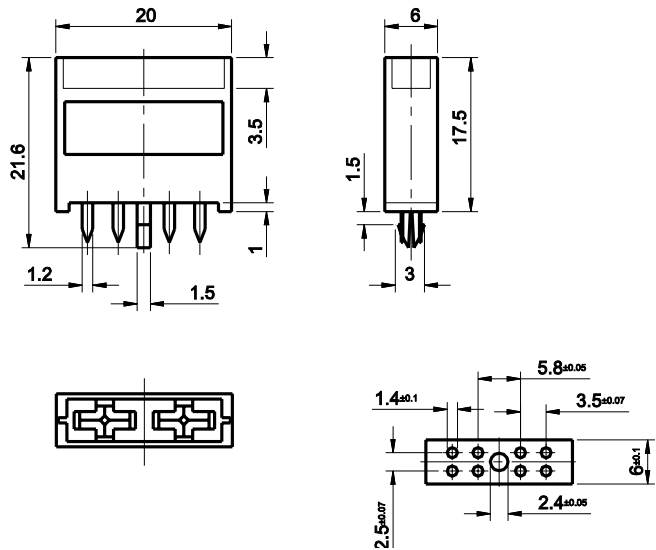
Housing: Out of thermoplastic (UL 94-V0, heat-resistant)
 Connections: Leaf spring connector systems, soldering terminals (4 pins each), copper alloy, silver plated
 Color: Black

Ordering Information

Part Number	Package Size
178.6165.xxx1	100
178.6165.xxx2	500

Dimensions

Dimensions in mm



Ratings

Part Number	Description	Contact Temperature
178.6165.000_	Complete	max. 130°C

Corresponding fuse links see Section "Blade Fuses."