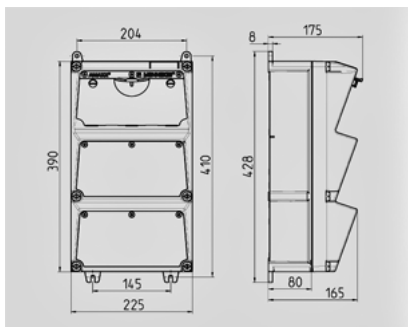


AMAXX® receptacle combination - Part no. 930013


- pre-wired for installation
- hinged to the side
- enclosure and insert made of AMAPLAST
- fusing behind a transparent cover

Technical information

Fitted with	1 CEE 32A, 5p, 400V 1 CEE 16A, 5p, 400V 2 SCHUKO® 16A, 230V
Fusing	1 RCD 40A, 4p, 0.03A 1 MCB 32A, 3p, C 1 MCB 16A, 3p, C 2 MCB's 16A, 1p, C
Pre-fuse max.	40 A
InA	40 A
RDF	0,75
Connection/feeder cable	for 1 cable up to 5 x 25 mm ²
Enclosure size	390 x 225 mm (H x W)
Protection type	IP 44


Drawing 1 MB 522

Depth dimensions at various fittings.

Receptacles	Degrees	Depth
SCHUKO®16A, 230 V	IP 44	175 mm
	IP 67	194 mm
CEE 16A, 3p, 230V	IP 44	204 mm
	IP 67	205 mm
CEE 16A, 5p, 400V	IP 44	209 mm
	IP 67	213 mm
CEE 32A, 5p, 400V	IP 44	221 mm
	IP 67	227 mm
CEE 63A, 5p, 400V	IP 44	248 mm
	IP 67	248 mm

Cable entries: closed for cut out. 2 x M 40 each on top and bottom, 2 x M 20 each on top and bottom for cut out.