

Thermoplastic socket outlet

British standard

BS13630




General information

Item number	BS13630
Model	Thermoplastic socket outlet
Colour	black

Electrical parameters

Amperage	13A
Voltage	250V
Poles	2P + PE

Standards/Directives

According to	BS1363
Standard	British standard
Certification marks	

Operating conditions

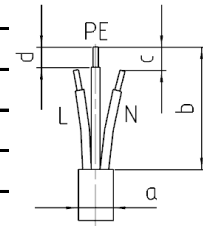
Storage temperature	-25°C to +70°C
Operating temperature	-25°C to +40°C
Relative humidity	5 to 95%, no condensation
Degree of protection	IP 54

Materials

Housing	PA
---------	----

Connecting cable

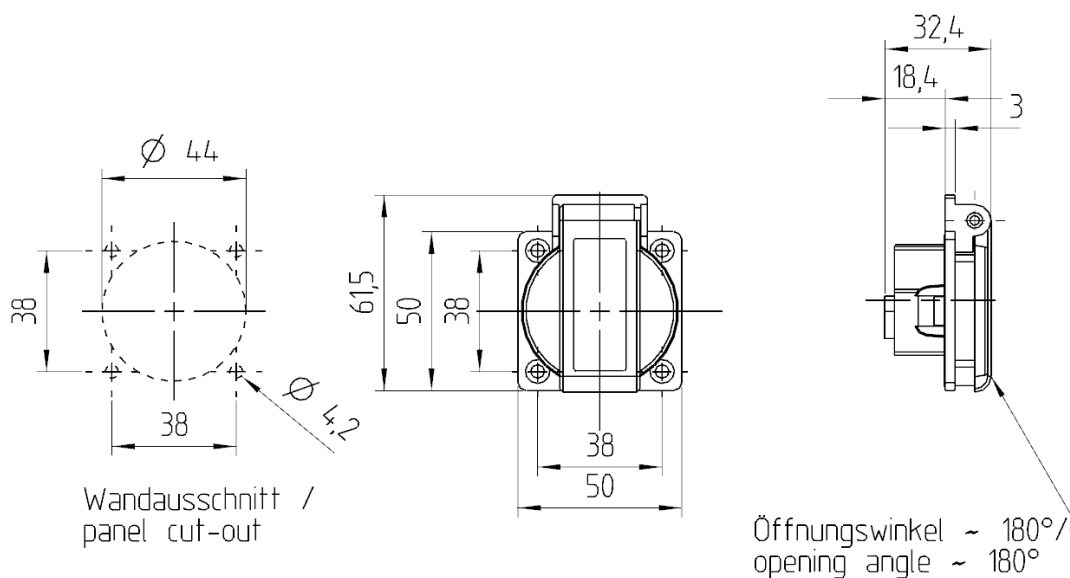
Cross section	3x10 mm ²
Cable diameter, dimension a	-
Insulation strip length sheath, dimension b	min. 30mm
Trim L/N, dimension c	0mm
Insulation strip length cores, dimension d	8-10mm



Connection screws

Max. torque for screws L-N/PE	2Nm
Screw drive L-N/PE	Combined slot/PZ2

Subject to modifications



If the application requires extended specifications, we recommend to test the application under real or simulated conditions. Parameters like duration, quantity and temperature will effect the result significantly