

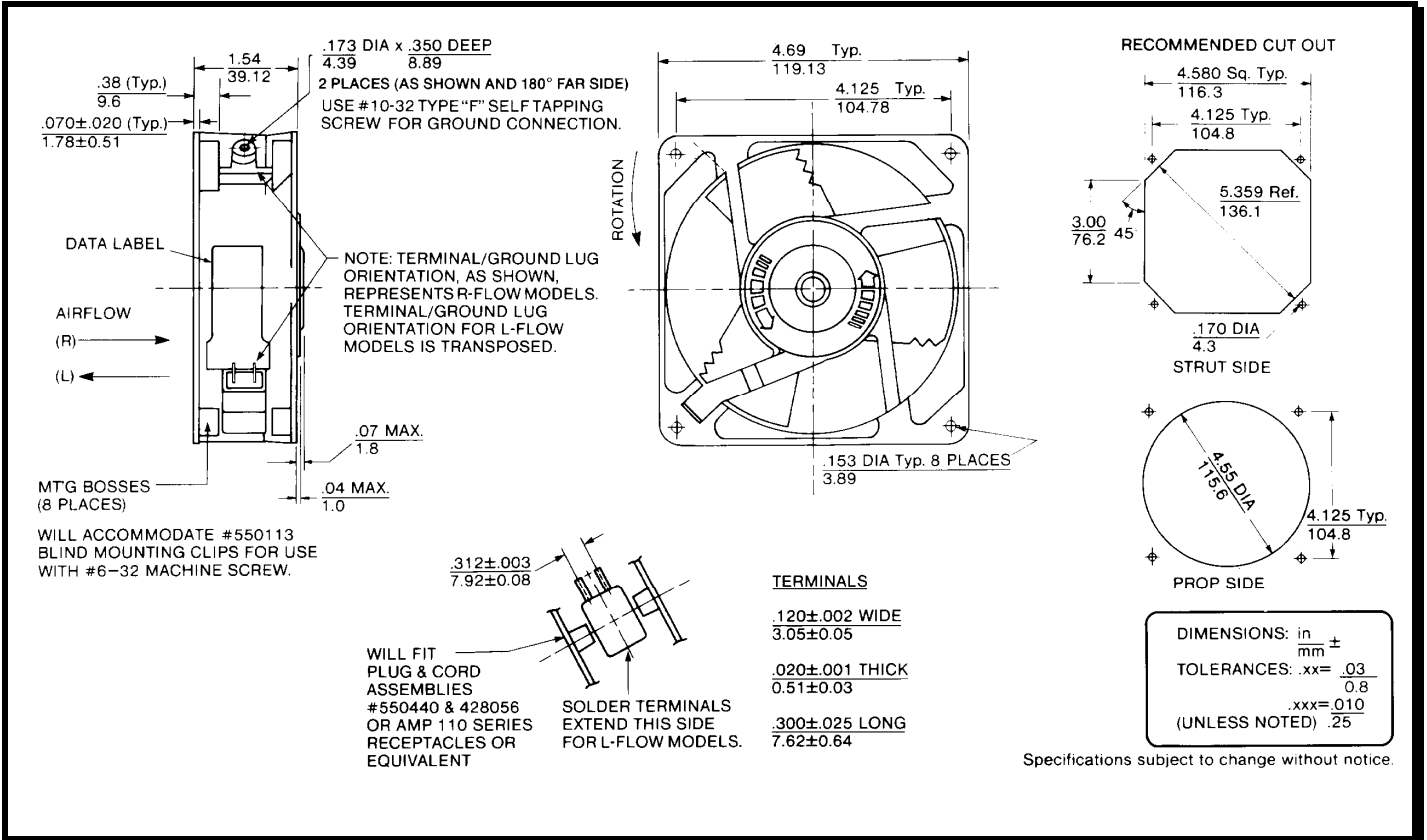
SPECIFICATIONS



Model Number: MX2A4
Part Number: 028527

August 6, 2003

Mechanical Drawing:



Motor:

Nominal Voltage = 115 VAC
 Frequency = 50/60 Hz
 Nominal Running Current = 0.20/0.18 amps
 Locked Rotor Current = 0.28/0.27 amps
 Running Power = 17/15 Watts
 Average Speed = 2700/3100 RPM
 Bearings = Sleeve
 Air Flow = 98/115 CFM
 Acoustic = 45.6/50.0 dBA

Construction:

Venturi: Zinc Alloy, Black.
 Propeller: Plastic, Black, UL 94V-0

Life Expectancy:

This fan is designed for continuous duty life of 55,000 hours at 40°C.

Additional Features:

Shaded pole induction motor
 Automatic Restart Capability
 Impedance Protection
 Operating Temperature: -28°C to 70°C
 Storage Temperature: -40°C to 85°C

Termination:

12" Lead wires

Agency Approvals:

UL, CSA, VDE, CE