



3M™ Versaflo™ TR-300 Powered Air Respirator Care and Maintenance



To maintain protection levels, optimise the effective lifetime of the system and avoid the additional cost of replacement, it is extremely important to carry out regular checks and maintenance on Powered and Supplied Air Respirators.

Before Use

- Use indicator button to confirm battery charge.
- Ensure correct filter is fitted.
- If spark arrestor and/or pre-filter are used ensure they are clean.
- Use air-flow indicator to confirm correct flow rate. If ball is below the line at first it may rise further – allow up to 90 seconds for the flow to stabilise. Change filter if ball does not stabilise above the line.
- Visually inspect for damage.

Monthly

- Carry out all the 'Before Use' inspections and create record of this monthly check

After Use

- Clean with cloth dampened with a mild solution of water and liquid household soap.
- Disinfect with 3M™ 105 Wipes.
- Store in a dry, clean area / locker away from direct sunlight, high temperatures and solvents.

Ordering Consumables, Repair Parts and Accessories

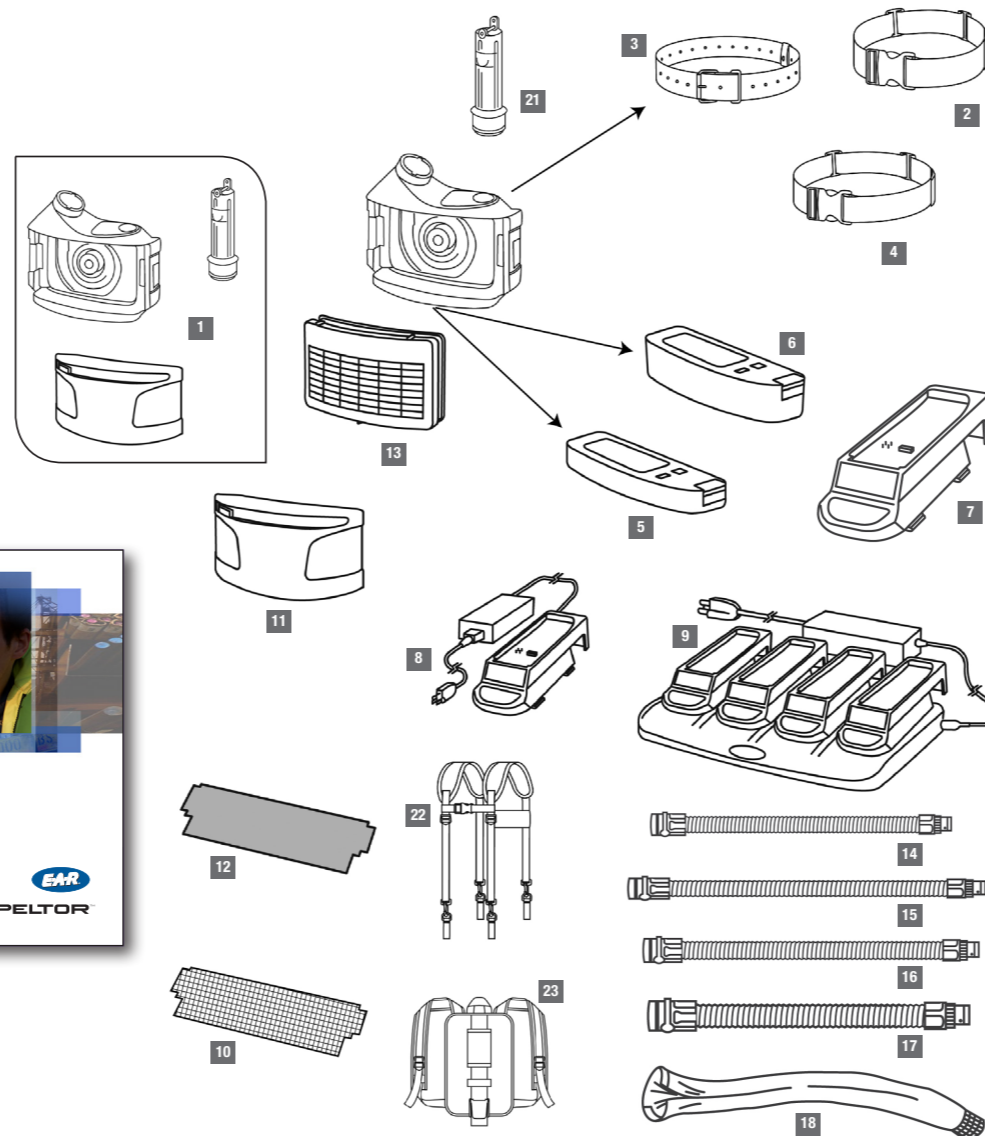
To request a quote or place an order for these items, please contact your 3M Approved Distributor.

Further Information and Advice

If you require additional guidance on the Care and Maintenance of your 3M Powered and Supplied Air Equipment, please contact the Helpline or your local 3M representative.

3M Health & Safety Helpline
Monday - Friday 9 to 5
0870 60 800 60 UK
1 800 320 500 IRELAND

EMR
PELLTOR



| | | 3M Part No |
|----|--|------------|
| 1 | 3M™ Versaflo™ TR-302E Powered Air Turbo Unit (complete with Filter Cover and Air Flow Indicator) | TR-302E |
| 2 | Standard Belt | TR-325 |
| 3 | Leather Belt | TR-326 |
| 4 | Easy-Clean Belt | TR-327 |
| 5 | Economy Battery Pack | TR-330 |
| 6 | High Capacity Battery Pack | TR-332 |
| 7 | Battery Charging Cradle | TR-340 |
| 8 | Single Station Charger Kit | TR-341UK |
| 9 | 4 Station Battery Charging Kit | TR-344UK |
| 10 | Spark Arrestor | TR-362 |
| 11 | Replacement Filter Cover | TR-370 |
| 12 | Pre-Filter | TR-3600 |
| 13 | Particulate Filter | TR-3710E |
| 13 | P/Nuisance Level Organic Vapour Filter | TR-3800E |
| 13 | P/HF/Nuisance Level Acid Gas Filter | TR-3820E |
| 14 | Short Lightweight Breathing Tube | BT-20S |
| 15 | Long Lightweight Breathing Tube | BT-20L |
| 16 | Length Adjusting Breathing Tube | BT-30 |
| 17 | Heavy Duty Rubber Breathing Tube | BT-40 |
| 18 | Breathing tube cover - Flame and Heat Resistant, High Durability | BT-926 |
| 21 | Airflow Indicator | TR-970 |
| 22 | Braces | TR-329 |
| 23 | Backpack | BPK-01 |

@3M_UK_Safety

3M Personal Safety Division
3M United Kingdom plc
3M Centre
Cain Road, Bracknell
Berkshire RG12 8HT
Tel: 0870 60 800 60
www.3M.co.uk/Safety

3M Ireland Limited
The Iveagh Building
The Park
Carrickmines
Dublin 18
Tel: 1 800 320 500

17808
3M and Versaflo are trademarks of 3M Company
Please recycle. Printed in UK.
© 3M 2014. All rights reserved.

**REPLACE ALL DAMAGED PARTS IMMEDIATELY TO ENSURE
CORRECT LEVELS OF PROTECTION**



CHTR300CMP

To download this poster please visit:
www.3M.co.uk/maintenancepack or scan the QR code

