

ebm-papst Mulfingen GmbH & Co. KG

Bachmühle 2 · D-74673 Mulfingen

Phone +49 7938 81-0

Fax +49 7938 81-110

info1@de.ebmpapst.com

www.ebmpapst.com

Limited partnership · Headquarters Mulfingen

County court Stuttgart · HRA 590344

General partner: Elektrobau Mulfingen GmbH · Headquarters Mulfingen

County court Stuttgart · HRB 590142

Nominal data

| Type | R2E220-AA40-B8 | | | |
|-------------------------------|-------------------|---------|---------|---------|
| Motor | M2E068-BF | | | |
| Phase | | 1~ | 1~ | 1~ |
| Nominal voltage | VAC | 230 | 230 | 230 |
| Frequency | Hz | 50 | 60 | 60 |
| Type of data definition | | fa | fa | fa |
| Valid for approval / standard | | CE | UL 2111 | CE |
| Speed | min ⁻¹ | 2600 | 2600 | 2700 |
| Power input | W | 85 | 95 | 90 |
| Current draw | A | 0.38 | 0.40 | 0.40 |
| Motor capacitor | µF | 3 | 2 | 2 |
| Capacitor voltage | VDB | 400 | 400 | 400 |
| Capacitor standard | | P0 (CE) | UL | P0 (CE) |
| Min. back pressure | Pa | 0 | 0 | 0 |
| Max. ambient temperature | °C | 55 | 55 | 55 |

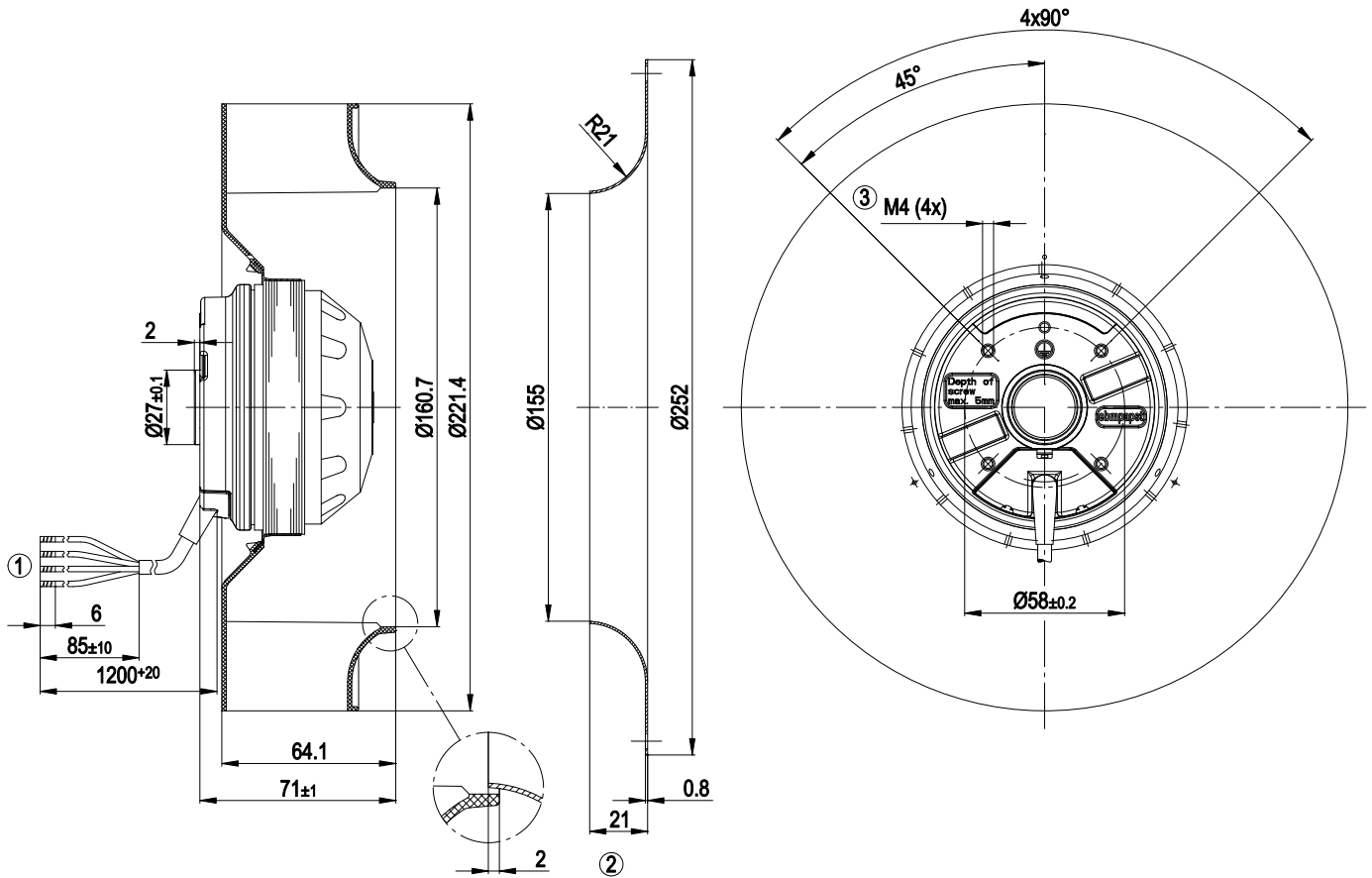
ml = max. load · me = max. efficiency · fa = running at free air · cs = customer specs · cu = customer unit
 Subject to alterations



Technical features

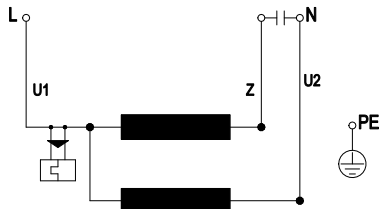
| | |
|---|---|
| Mass | 1.5 kg |
| Size | 220 mm |
| Surface of rotor | Uncoated |
| Material of impeller | Plastic PA6, fibreglass-reinforced |
| Number of blades | 11 |
| Direction of rotation | Clockwise, seen on rotor |
| Type of protection | IP 44; Depending on installation and position |
| Insulation class | "F" |
| Humidity class | F1-2 |
| Max. permissible ambient motor temp. (transp./ storage) | + 80 °C |
| Min. permissible ambient motor temp. (transp./storage) | - 40 °C |
| Mounting position | Any |
| Condensate discharge holes | None |
| Operation mode | S1 |
| Motor bearing | Ball bearing |
| Leakage current | < 0.75 mA |
| Motor protection | Thermal overload protector (TOP) wired internally |
| Cable exit | Variable |
| Protection class | I (if protective earth is connected by customer) |
| Product conforming to standard | EN 60335-1; CE |
| Approval | UL 2111; CSA C22.2 Nr.77; CCC |

Product drawing



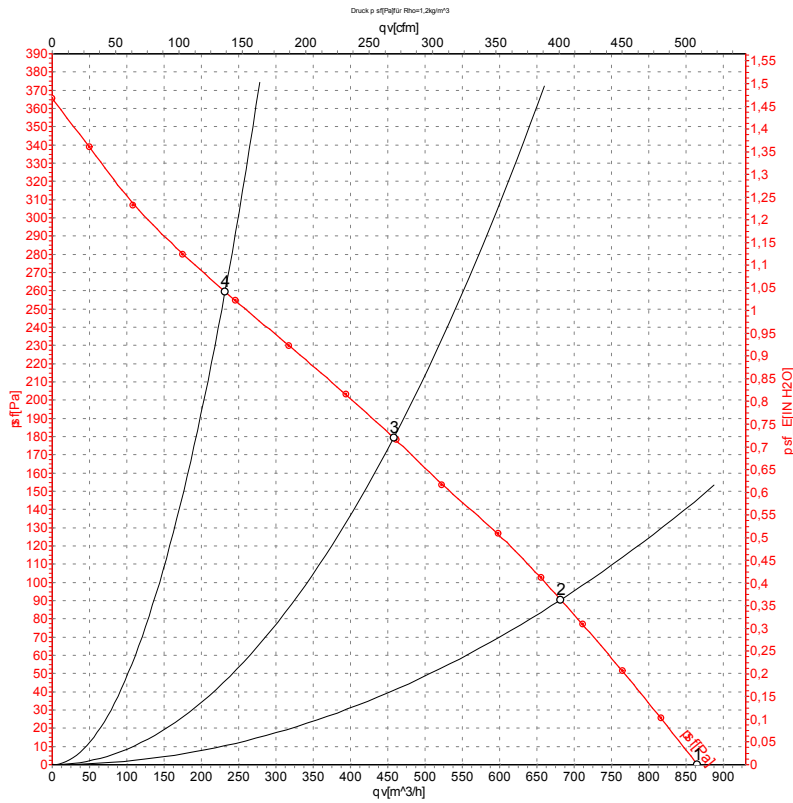
- | | |
|---|---|
| 1 | Connection line PFA AWG20, 4 x brass lead tips crimped |
| 2 | Accessory part: Inlet nozzle 09609-2-4013, not included in the standard scope of delivery |
| 3 | Depth of screw max. 5 mm |

Connection screen



| | | | | | |
|----|--------------|---|-------|----|-------|
| U1 | blue | Z | brown | U2 | black |
| PE | green/yellow | | | | |

Charts: Air flow 50 Hz



Measurement: LU-106763

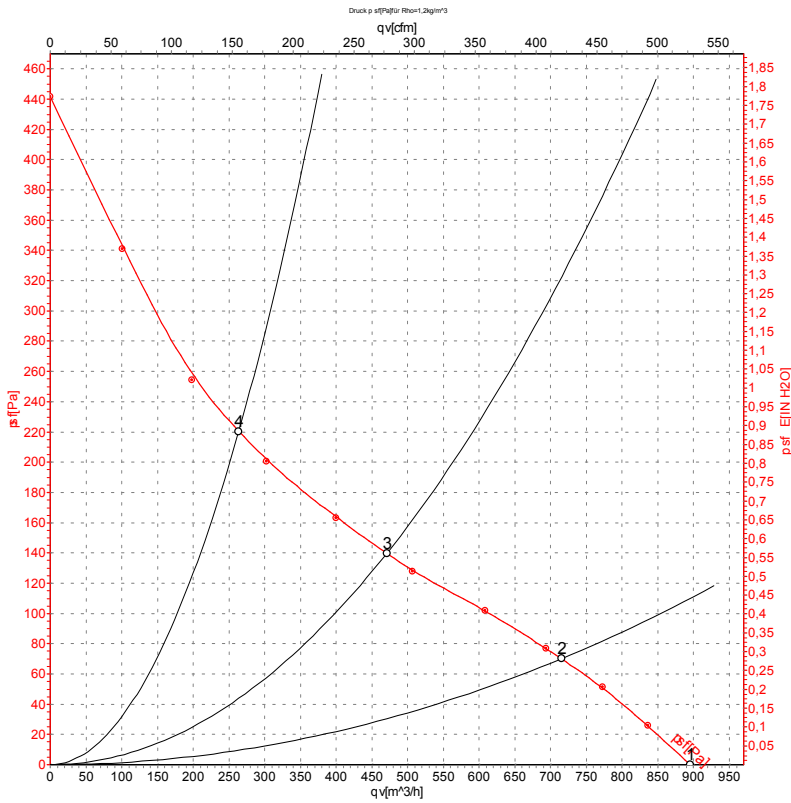
Air performance measured as per ISO 5801 Installation category A. For detailed information on the measuring set-up, please contact ebm-papst. Suction-side noise levels: L_{wA} measured as per ISO 13347 / L_{pA} measured with 1m distance to fan axis. The values given are valid under the measuring conditions mentioned above and may vary according to the actual installation situation. With any deviation from the standard set-up, the specific values have to be checked and reviewed with the unit installed.

Measured values

| | U | f | n | P _e | I | qv | P _{sf} |
|---|-----|----|-------------------|----------------|------|-------------------|-----------------|
| | V | Hz | min ⁻¹ | W | A | m ³ /h | Pa |
| 1 | 230 | 50 | 2405 | 85 | 0.38 | 865 | 0 |
| 2 | 230 | 50 | 2260 | 91 | 0.39 | 680 | 90 |
| 3 | 230 | 50 | 2155 | 94 | 0.41 | 460 | 180 |
| 4 | 230 | 50 | 2245 | 91 | 0.40 | 230 | 260 |



Charts: Air flow 60 Hz



Measurement: LU-106764

Air performance measured as per ISO 5801 Installation category A. For detailed information on the measuring set-up, please contact ebm-papst. Suction-side noise levels: L_{wA} measured as per ISO 13347 / L_{pA} measured with 1m distance to fan axis. The values given are valid under the measuring conditions mentioned above and may vary according to the actual installation situation. With any deviation from the standard set-up, the specific values have to be checked and reviewed with the unit installed.

Measured values

| | U | f | n | P _e | I | qv | P _{sf} |
|---|-----|----|-------------------|----------------|------|-------------------|-----------------|
| | V | Hz | min ⁻¹ | W | A | m ³ /h | Pa |
| 1 | 230 | 60 | 2490 | 84 | 0.37 | 895 | 0 |
| 2 | 230 | 60 | 2265 | 90 | 0.39 | 715 | 70 |
| 3 | 230 | 60 | 2020 | 94 | 0.41 | 470 | 140 |
| 4 | 230 | 60 | 2100 | 93 | 0.40 | 265 | 220 |

