

AC centrifugal fan

forward curved, dual inlet
with housing (without flange)

ebm-papst Mulfingen GmbH & Co. KG

Bachmühle 2
74673 Mulfingen
Phone: +49 7938 81-0
Fax: +49 7938 81-110
www.ebmpapst.com
info1@de.ebmpapst.com

Nominal data

Type	D2E146-CD51-23		
Motor	M2E068-DF		
Phase		1~	1~
Nominal voltage	[V]	230	230
Frequency	[Hz]	50	60
Type of data definition		ml	ml
Valid for approval / standard		CE	CE
Speed	[min ⁻¹]	1850	2100
Power input	[W]	230	250
Current draw	[A]	1,01	1.09
Motor capacitor	[µF]	4	4
Capacitor voltage	[VDB]	450	450
Capacitor standard		P2 (CE)	P2 (CE)
Min. back pressure	[Pa]	200	300
Max. ambient temperature	[°C]	30	30
Air flow	[m ³ /h]	740	550
Back pressure	[Pa]	200	300
Sound pressure level	[dB(A)]	58	62

ml = max. load · me = max. efficiency · rfa = running at free air · cs = customer specs · cu = customer unit
Subject to alterations

AC centrifugal fan

forward curved, dual inlet
with housing (without flange)

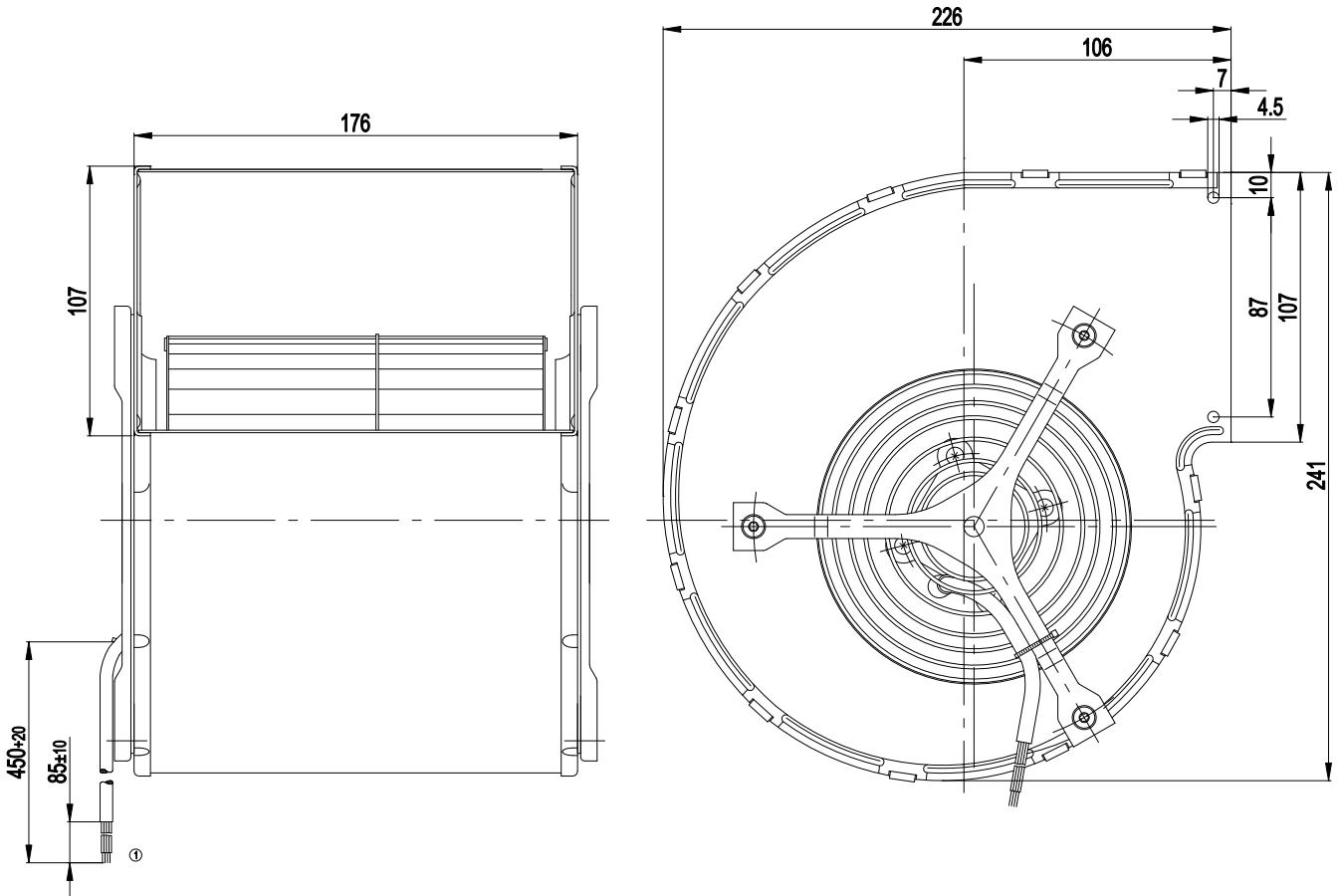
Technical features

Leakage current	< 0,75 mA
Size	146 mm
Operation mode	S1
Direction of rotation	Counter-clockwise, seen on rotor
Mounting position	Any
Insulation class	"B"
Cable exit	Axial
Condensate discharge holes	None
Bearing motor	Ball bearing
Mass	3.9 kg
Housing material	Sheet steel, hot-galvanised
Material of impeller	Sheet steel, sendzimir galvanised
Motor protection	Thermal overload protector (TOP) wired internally
Product conforming to standard	CE; EN 60335-1
Surface of rotor	Uncoated
Type of protection	IP 44 - depending on position
Protection class	I
Max. permissible ambient motor temp. (transp./ storage)	+ 80 °C
Min. permissible ambient motor temp. (transp./storage)	- 40 °C

AC centrifugal fan

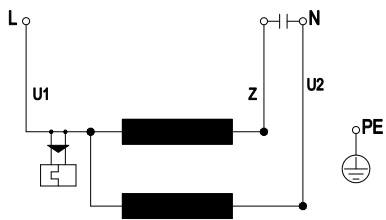
forward curved, dual inlet
with housing (without flange)

Product drawing



1 Connection line PVC, 4x brass lead tips crimped

Connection screen

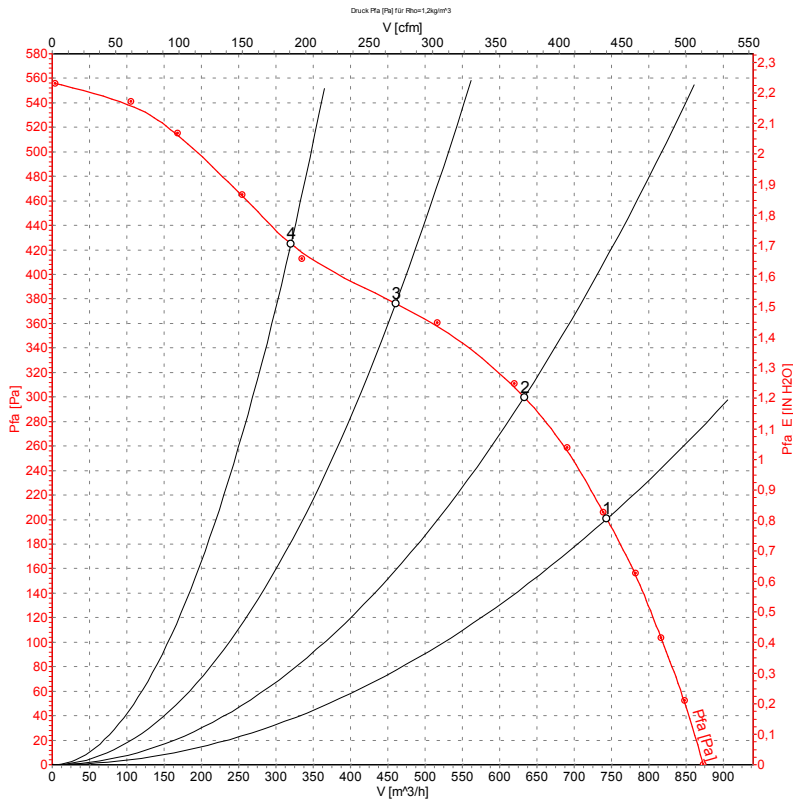


U1	blue	Z	brown	U2	black
PE	green/yellow				

AC centrifugal fan

forward curved, dual inlet
with housing (without flange)

Charts: Air flow 50 Hz

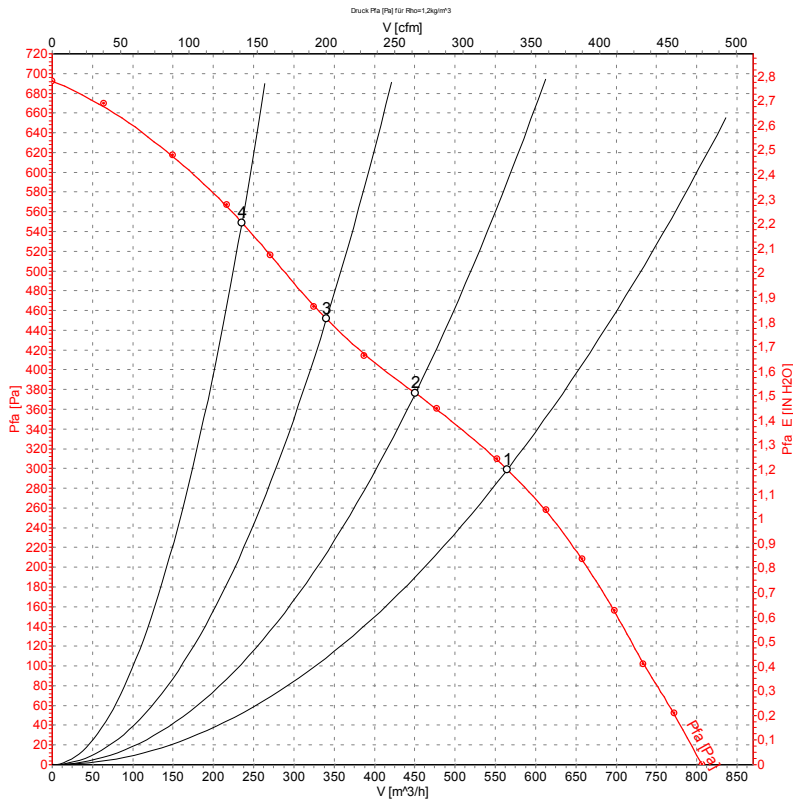


Measurement: LU-22582

Measured values

	U	f	n	P ₁	I	Ŷ	P _{fa}
	[V]	[Hz]	[min ⁻¹]	[W]	[A]	[m³/h]	[Pa]
1	230	50	1850	230	1.01	745	200
2	230	50	2080	209	0.91	635	300
3	230	50	2320	184	0.80	460	375
4	230	50	2450	166	0.73	320	425

Charts: Air flow 60 Hz



Measurement: LU-22583

Measured values

	U	f	n	P ₁	I	Ŷ	P _{fa}
	[V]	[Hz]	[min ⁻¹]	[W]	[A]	[m³/h]	[Pa]
1	230	60	2100	250	1.09	565	300
2	230	60	2340	234	1.02	450	375
3	230	60	2545	224	0.97	340	450
4	230	60	2685	216	0.94	235	550