

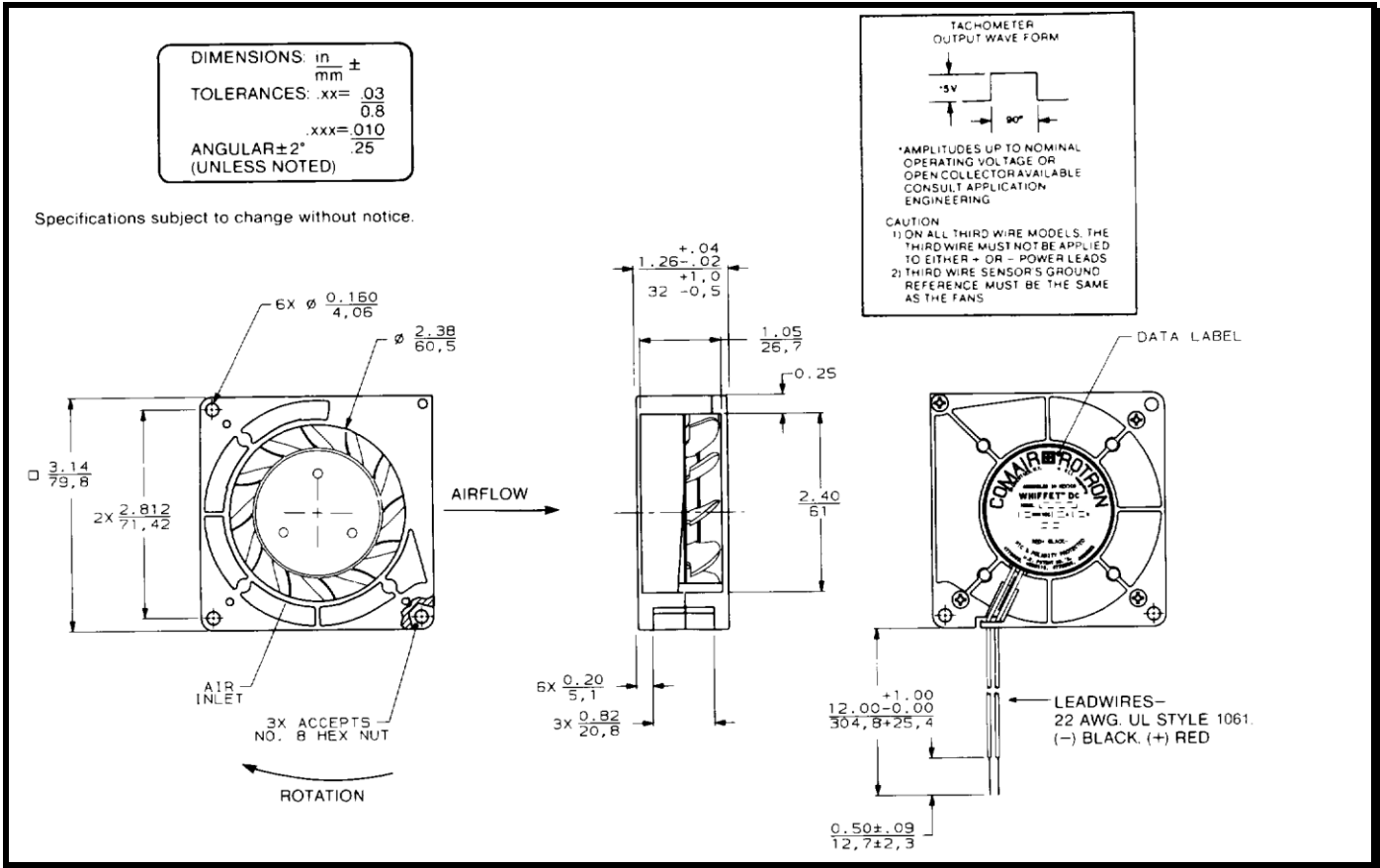
SPECIFICATIONS



Model Number: WT12B3
Part Number: 19031101A

Apr. 01, 2016

Mechanical Drawing:



Motor:

Nominal Voltage	= 12 vdc
Operating Voltage Range	= 6 - 14 vdc
Nominal Running Current	= 0.420 amps
Max. Locked Rotor Current	= 1.12 amps
Running Power	= 5.0 watts
Average Speed	= 4050 rpm
Bearings	= Ball
Air Flow	= 15 cfm
Acoustic	= 51.4 dBA

Construction:

Venturi: Plastic, Black, UL 94V-0
 Propeller: Plastic, Black, UL 94V-0

Life Expectancy:

This fan is designed for continuous duty life of 80,000 hours at 25°C.

Additional Features:

Brushless DC motor
 Locked Rotor Protection
 Polarity Protected
 Automatic Restart Capability
 Operating Temperature: -10°C to 70°C
 Storage Temperature: -40°C to 85°C

Termination:

12" Lead wires, 22 AWG, UL 1061
 Red = Power (+)
 Black = Return (-)

Agency Approvals:

UL, cUL, CE