

EuroSeries® (SDX)

In-Line Centrifugal Duct Fans



from Vent-Axia

Features & Benefits

- Available in sizes 100 to 315
- 200 and 250 sizes also available as high performance
- Motor Insulation Class B, protected to IP44
- Operating Temperatures from -25°C up to +60°C
- All units suitable for speed control
- Quality Assurance to BS EN ISO 9001:1994
- Performance tested to BS848 Part 1 1980
- 2 Year Warranty

The SDX Euroflow in-line centrifugal duct fans are designed around an efficient backward curved centrifugal impeller and external rotor motor to ensure a compact design, high performance and low sound levels.

The in-line fan casing is constructed from pressed steel and incorporates an aerodynamically designed airflow guide vane, ensuring maximum performance from the unit whilst maintaining minimum noise levels. All models are supplied with a simple mounting foot for ease of installation.

The SDX range is available in eight model sizes: 100, 125, 150, 200, 250 & 315mm diameter as standard performance and sizes 200 and 250 also available as a high performance in-line centrifugal duct fan. The range provides a performance up to 0.372m³/s with a maximum pressure development of 500 Pa.

The SDX range is suitable for the extract of clean air only. It is not suitable for extracting or transporting grinding dust, soot, explosive or other aggressive gases etc.

Impellers

The impellers are aerodynamically designed centrifugal backward curved type, manufactured by injection moulding of a polypropylene resin. The motor and impeller is factory matched, statically and dynamically balanced in two planes to ISO 1940, Grade G 6.3.

Motors

All units are fitted with motors protected to IP44, insulation Class B and are suitable for temperatures ranging from -25°C to +60°C with humidity levels of up to 95% RH ensuring reliable operation. All sizes are for a 220V/1/50Hz electrical supply and incorporate a manual reset thermal protection device.

Terminal Box

An IP54 terminal box fitted to the casing with multiple cable entry positions.

Performance

The fan performance is in accordance with tests to BS848 Part 1 1980, with the fan sound levels measured in a reverberant chamber in accordance with BS848 Part 2 1985.

Quality Assurance

Design and manufacture is in accordance with the standard for quality management systems BS EN ISO 9001:1994.

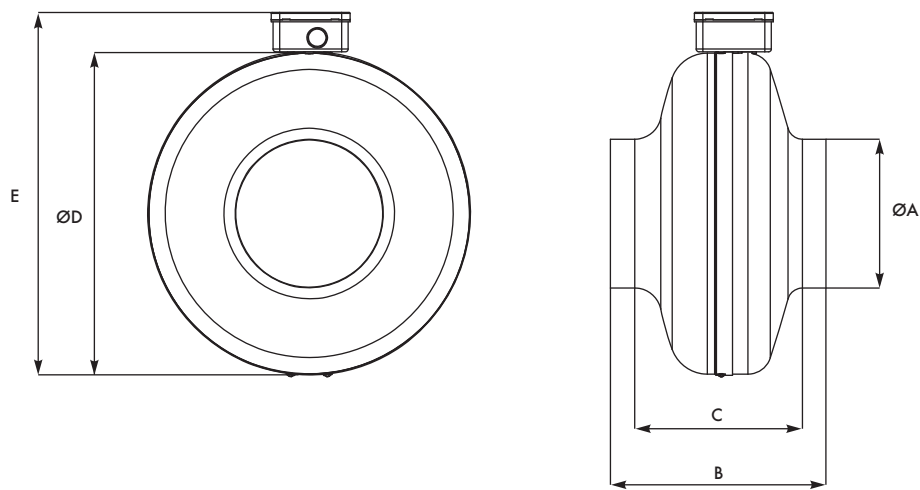
Accessories

A full range of accessories are available with the Euroflow in-line centrifugal duct fans such as:

- Electronic Speed Controllers
- Auto Transformer Speed Controllers
- D.O.L. Starter and Overload
- Pre & Secondary Filter Cassettes
- Electric Heater Batteries
- In-Line Attenuators
- Backdraught Shutters
- Fast Clamps
- Flexible Ducting
- Wall Terminals
- Roof Terminals

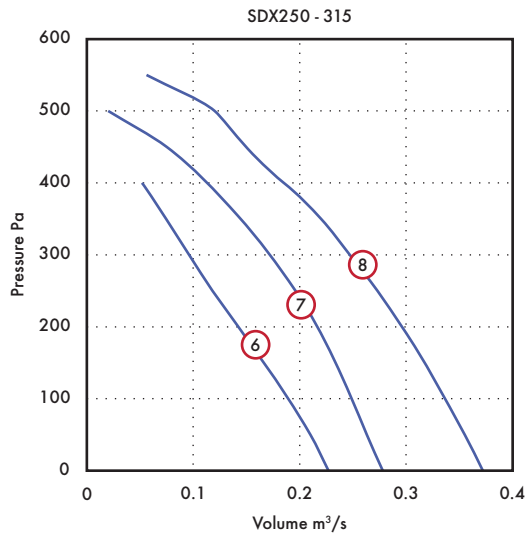
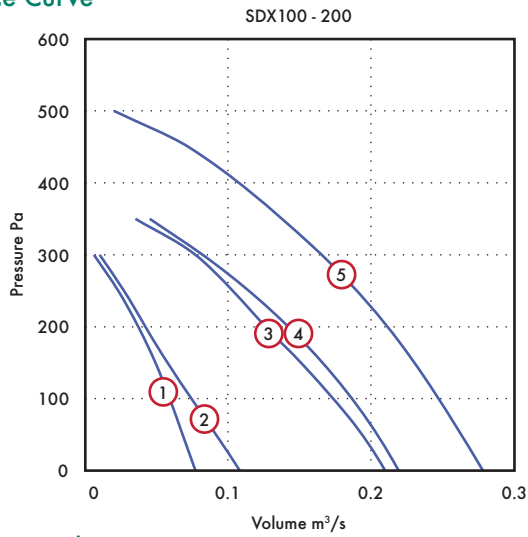


Dimensions (mm)



Unit Size	ØA	B	C	ØD	E	kg
SDX100	100	206	167	245	290	3
SDX125	125	206	175	245	290	3
SDX150	150	227	175	345	390	4
SDX200	200	227	175	345	390	4.5
SDX250	250	230	170	345	390	4.5
SDX315	315	247	179	400	445	6.5

Performance Curve



Performance Guide

Model	RPM	Phase	Curve	m³/s @ Pa												Motor Watts	F.L.C Amps	dB(A) @ 3m	
				0	50	100	150	200	250	300	350	400	450	500	550				
SDX100	1990	1	①	0.077	0.068	0.059	0.049	0.037	0.023	0.006							42	0.18	26
SDX125	1907	1	②	0.108	0.092	0.074	0.056	0.042	0.027	0.010							44	0.19	24
SDX150	2409	1	③	0.211	0.193	0.169	0.149	0.125	0.104	0.077	0.035						62	0.27	35
SDX200	2505	1	④	0.219	0.205	0.182	0.163	0.138	0.115	0.082	0.045						96	0.42	34
SDX200H	2520	1	⑤	0.278	0.263	0.245	0.230	0.210	0.192	0.167	0.136	0.107	0.072	0.020			156	0.69	38
SDX250	2505	1	⑥	0.227	0.210	0.188	0.165	0.142	0.118	0.094	0.075	0.051					94	0.41	31
SDX250H	2518	1	⑦	0.278	0.263	0.250	0.235	0.216	0.196	0.170	0.143	0.113	0.075	0.020			148	0.67	34
SDX315	2370	1	⑧	0.372	0.355	0.335	0.319	0.296	0.273	0.247	0.220	0.185	0.150	0.120	0.056		205	0.89	36

Sound Data

Model		63 Hz	125 Hz	250 Hz	500	1 kHz	2 kHz	4 kHz	8 kHz	dB(A) @ 3m
SDX100	Inlet	59	66	64	58	51	46	36	30	39
	Outlet	61	59	67	54	55	49	38	31	40
	Breakout	41	40	34	38	44	40	27	21	26
SDX125	Inlet	58	61	62	54	51	48	39	33	37
	Outlet	59	58	63	55	53	51	38	32	39
	Breakout	37	36	38	38	41	39	27	18	24
SDX150	Inlet	61	60	60	58	62	61	60	51	47
	Outlet	63	63	59	59	64	62	61	50	48
	Breakout	40	41	29	42	52	50	49	35	35
SDX200	Inlet	62	61	61	61	65	62	61	52	48
	Outlet	61	60	62	63	67	61	63	53	50
	Breakout	34	30	32	43	49	41	52	39	34
SDX200H	Inlet	65	67	69	66	68	65	65	58	52
	Outlet	68	69	70	68	69	65	66	63	53
	Breakout	39	39	40	48	51	45	55	49	38
SDX250	Inlet	58	59	60	63	65	63	62	56	49
	Outlet	56	58	61	62	67	63	65	57	51
	Breakout	37	35	38	42	47	43	46	39	31
SDX250H	Inlet	66	67	68	68	68	65	64	60	52
	Outlet	69	70	71	69	69	66	66	67	54
	Breakout	47	47	48	49	49	46	47	49	34
SDX315	Inlet	71	68	72	71	73	69	67	59	56
	Outlet	70	69	71	73	75	67	66	69	57
	Breakout	46	48	49	52	54	48	46	45	36

Models & Accessories

Fan	Speed Controller		Starter (requires Overload)	Overload
Stock Ref	Stock Ref	Stock Ref	Stock Ref	Stock Ref
SDX100	SP5001	SPM5020	444744	444696
SDX125	SP5001	SPM5020	444744	444696
SDX150	SP5001	SPM5020	444744	444697
SDX200	SP5001	SPM5020	444744	444698
SDX200H	SP5001	SPM5020	444744	444699
SDX250	SP5001	SPM5020	444744	444698
SDX250H	SP5001	SPM5020	444744	444699
SDX315	SP5001	SPM5020	444744	444699

Dia	In-Line Attenuators			
	300mm	600mm	900mm	1200mm
	Stock Ref	Stock Ref	Stock Ref	Stock Ref
100	83010030	83010060	83010090	-
125	83012030	83012060	83012090	-
150	83015030	83015060	83015090	-
200	-	83020060	83020090	83020120
250	-	83025060	83025090	83025120
315	-	83031060	83031090	83031120

Fan	Wall Terminal	Wall Terminal	Electric Heaters	Panel Filters
Stock Ref	Stock Ref	Stock Ref	Stock Ref	Stock Ref
100	SA100/280	SA100/80	10531100T1	QPF100A
125	SA125/280	SA125/80	10531125T1	QPF125A
150	SA150/280	SA150/80	10531150T1	QPF150A
200	SA200/280	SA200/80	10531200T1	QPF200A
250	SA250/280	SA250/80	10531250T1	QPF250A
315	SA315/280	SA315/80	10531315T1	QPF315A

Fan	Bag Filters	Roof Terminal	Louvre Shutter
Stock Ref	Stock Ref	Stock Ref	Stock Ref
100	QPFB100A	WRC100	LS250
125	QPFB125A	WB160	LS250
150	QPFB150A	WB160	LS250
200	QPFB200A	WB200	LS250
250	QPFB250A	RCZ300	LS250
315	QPFB315A	RCZ300	LS315