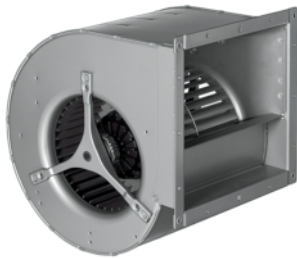


D4E225-CC01-02

AC centrifugal fan

forward curved, dual inlet
with housing (large flange)



ebm-papst Mulfingen GmbH & Co. KG

Bachmühle 2

D-74673 Mulfingen

Phone: +49(0)7938/81-0

Fax: +49(0)7938/81-110

info1@de.ebmpapst.com

www.ebmpapst.com

Nominal data

Type	D4E225-CC01-02		
Motor	M4E074-LA		
Phase		1~	1~
Nominal voltage	[V]	230	230
Frequency	[Hz]	50	60
Type of data definition		ml	ml
Valid for approval / standard		CE	CE
Speed	[min ⁻¹]	1150	1300
Power input	[W]	650	625
Current draw	[A]	2.84	2.75
Motor capacitor	[µF]	25	16
Capacitor voltage	[VDB]	400	400
Capacitor standard		P2 (CE)	P2 (CE)
Min. back pressure	[Pa]	100	300
Max. ambient temperature	[°C]	30	30

ml = max. load · me = max. efficiency · rfa = running at free air · cs = customer specs · cu = customer unit
Subject to alterations

AC centrifugal fan

forward curved, dual inlet
with housing (large flange)

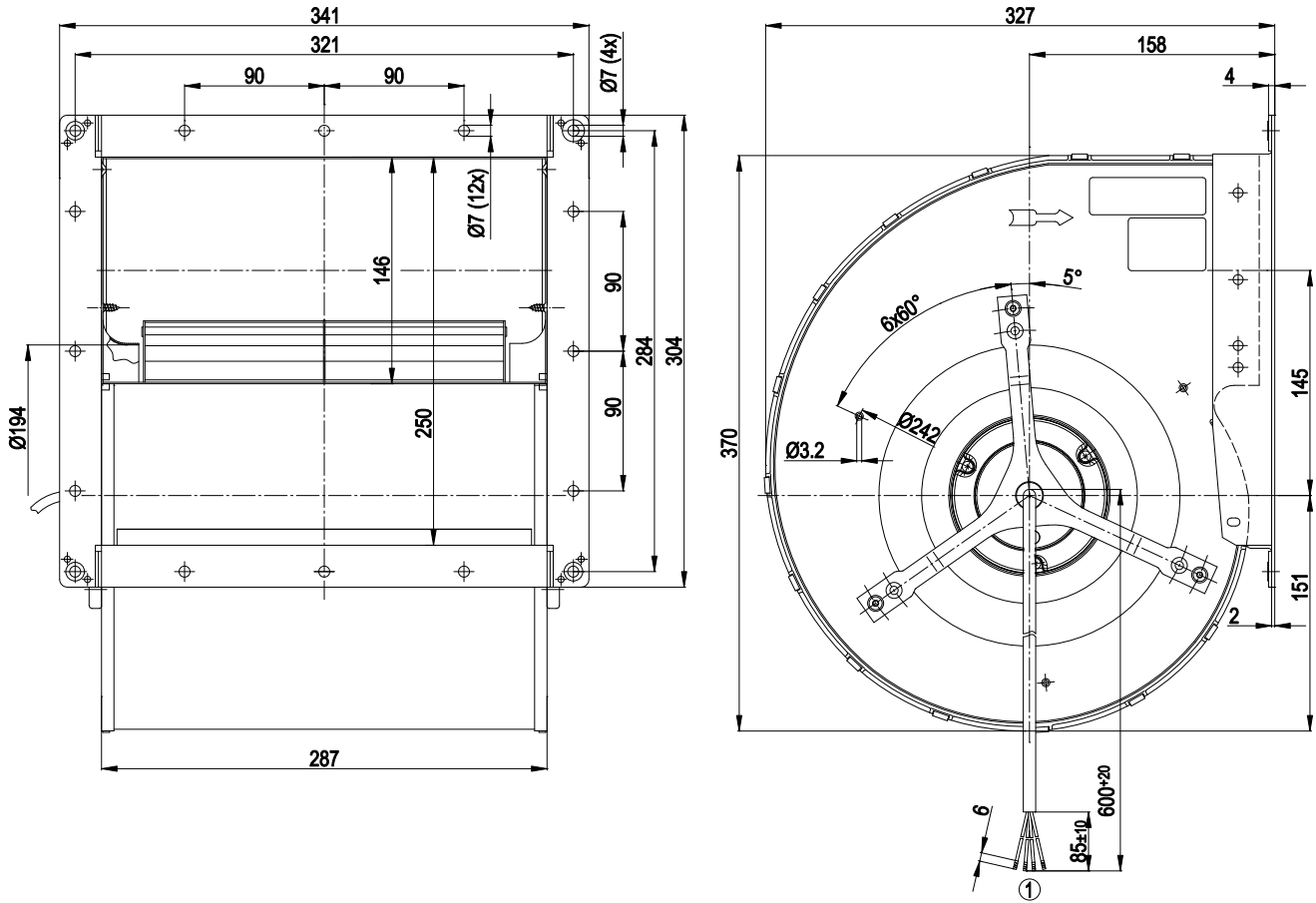
Technical features

Leackage current	< 0.75 mA
Size	225 mm
Operation mode	S1
Direction of rotation	Counter-clockwise, seen on rotor
Mounting position	Any
Humidity class	F5
Insulation class	"B"
Condensate discharge holes	None, open rotor
Bearing motor	Ball bearing
Mass	12.07 kg
Housing material	Sheet steel, hot-galvanised
Material of impeller	Sheet steel, hot-galvanised
Motor suspension	Motor anti-vibration mounted on both sides
Motor protection	Thermal overload protector (TOP) wired internally
Product conforming to standard	CE; EN 60335-1
Type of protection	IP 22
Protection class	I
Max. permissible ambient motor temp. (transp./ storage)	+ 80 °C
Min. permissible ambient motor temp. (transp./storage)	- 40 °C
Approval	CCC; GOST

AC centrifugal fan

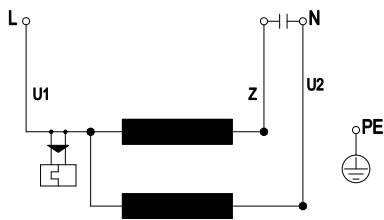
forward curved, dual inlet
with housing (large flange)

Product drawing



1 Connection line PVC 0.5mm², 4x brass lead tips crimped

Connection screen

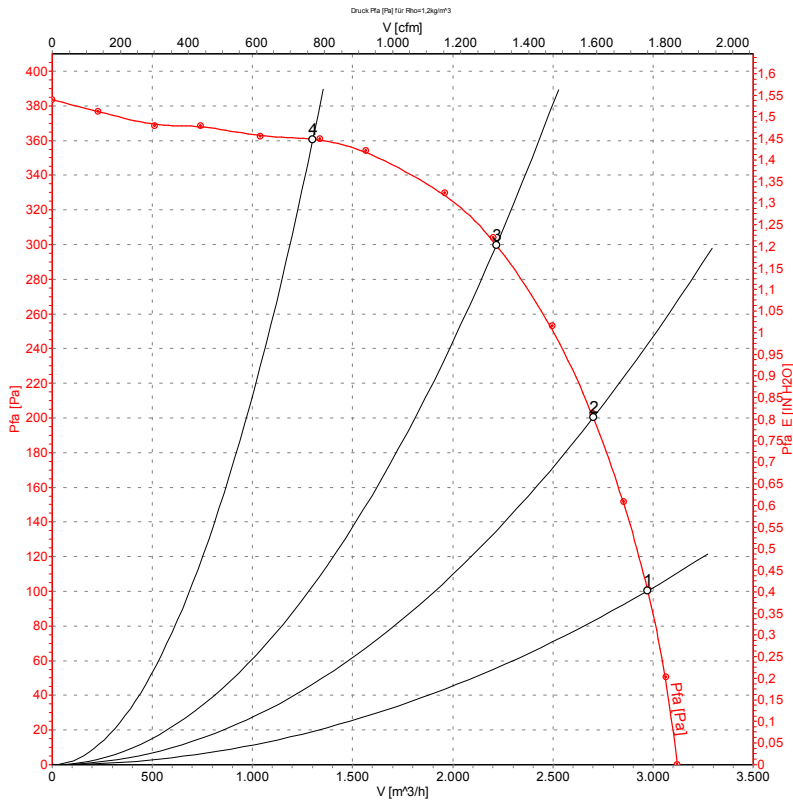


U1	blue	Z	brown	U2	black
PE	green/yellow				

AC centrifugal fan

forward curved, dual inlet
with housing (large flange)

Charts: Air flow 50 Hz



Measurement: LU-35314

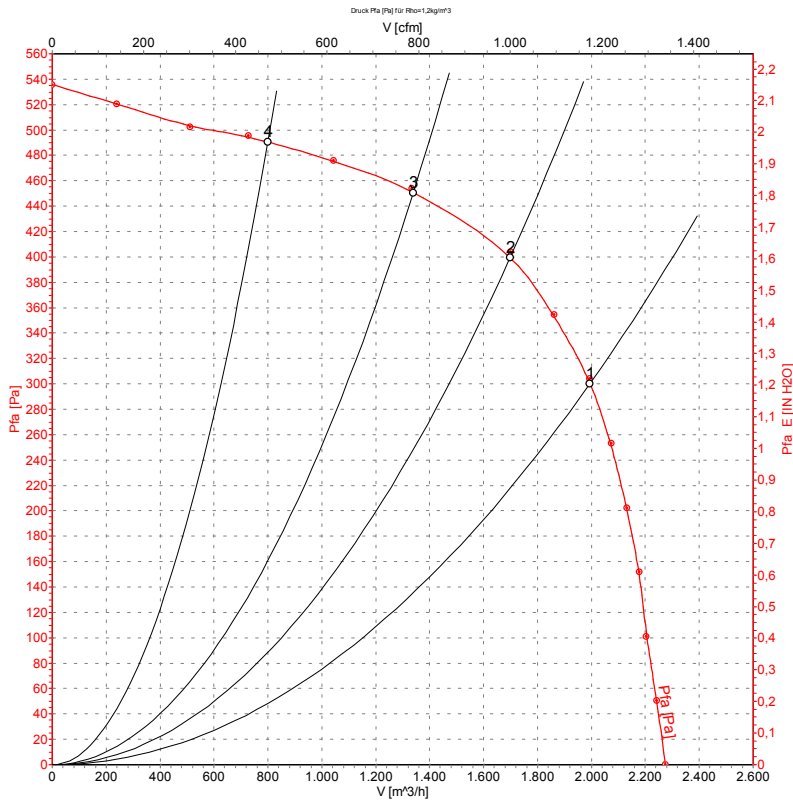
Measured values

	U	f	n	P ₁	I	\hat{V}	P _{fa}
	[V]	[Hz]	[min ⁻¹]	[W]	[A]	[m ³ /h]	[Pa]
1	230	50	1150	783	3.42	2975	100
2	230	50	1195	689	3.05	2700	200
3	230	50	1300	581	2.65	2215	300
4	230	50	1395	445	2.15	1300	360

AC centrifugal fan

forward curved, dual inlet
with housing (large flange)

Charts: Air flow 60 Hz



Measurement: LU-35316

Measured values

	U	f	n	P ₁	I	\hat{V}	P _{fa}
	[V]	[Hz]	[min ⁻¹]	[W]	[A]	[m ³ /h]	[Pa]
1	230	60	1300	646	2.81	1995	300
2	230	60	1465	553	2.43	1700	400
3	230	60	1565	474	2.13	1340	450
4	230	60	1645	390	1.83	800	490