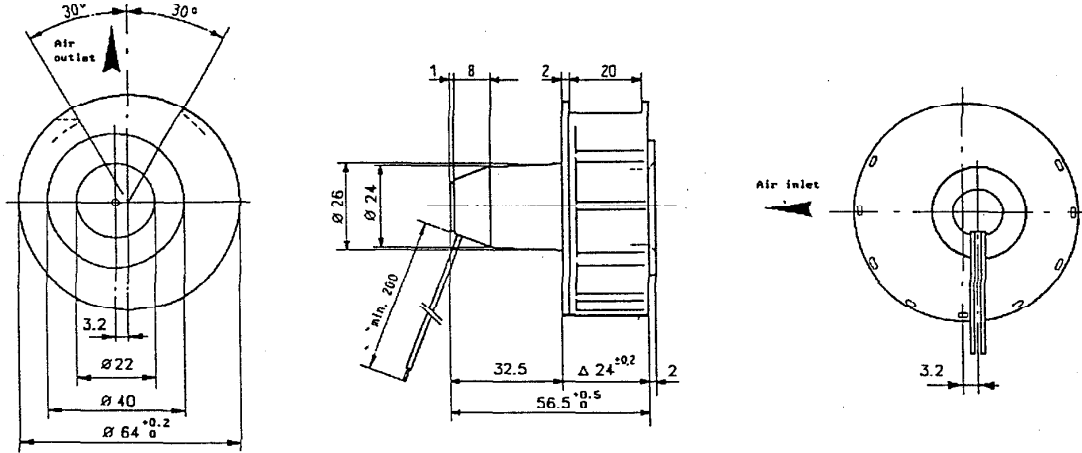




Dimensions



High speed series

U64HM

				3V	6V	12V	
				003	006	012	
Voltage			U_N	3	6	12	VDC
Type			I_N	430	195	80	mA
Nominal voltage			I_N	1120	480	220	mA
Nominal current $_{max}$	at Δp_{max}		P_N	1.3	1.17	0.96	W
Nominal current $_{max}$	at \dot{V}_{max}	2)	P_N	3.36	2.88	2.64	W
Nominal power input $_{max}$	at Δp_{max}		I_N	4600	2080	1240	mA
Nominal power input $_{max}$	at \dot{V}_{max}	2)	I_N	1050	440	200	mA
Stall current (locked rotor)							
Current consumption	QSP	1)					
Speed	QSP	1)	n	10'700	9'800	9'800	min ⁻¹
Flow rate	free-blowing	(average value)	\dot{V}	340	320	320	l/min
Flow rate $_{min}$	free-blowing		\dot{V}	320	300	290	l/min
Pressure difference	static	(average value)	Δp	4.8	4.0	4.0	hPa
Pressure difference $_{min}$	static		Δp	4.0	3.3	3.2	hPa
Acoustic emission level	at U_N	(average value) 1)	LpA	59	58	58	dB(A)
Expected life time approx.			t	500	2'500 ... 5'000		h
Ambient temperature range:	operation		T	-20 ... +65			°C
	shelf		T	-30 ... +85			°C
Weight approx.			m	80			g
Type of bearings				Sleeve bearings			

- 1) Measured at approx. 50% \dot{V}_{max} with a calibrated diaphragm
 - 2) Depending on the operation point selected (low at Δp_{max} , high at \dot{V}_{max})
- QSP = Final works inspection

06.91/06.92 3500

RS Components shall not be liable for any liability or loss of any nature (howsoever caused and whether or not due to RS components' negligence) which may result from the use of any information provided in RS literature.