

#### Do's and don'ts

- Do read all the instruction leaflet before commencing installation.
- Do install each fan with a double pole isolating switch.
- Do make sure the mains supply is switched off before attempting to make electrical connections or carry out any maintenance or cleaning.

#### Guarantee

##### Customers outside UK - see international below.

- UK: The fan is guaranteed against defects for 2 years from the date of purchase.
- Please keep your purchase receipt.
- If you have any problems, contact Xpelair's Head Office at the address shown below.

#### Technical advice and service

##### Customers outside UK - see international below.

UK: Xpelair have a comprehensive range of services including:

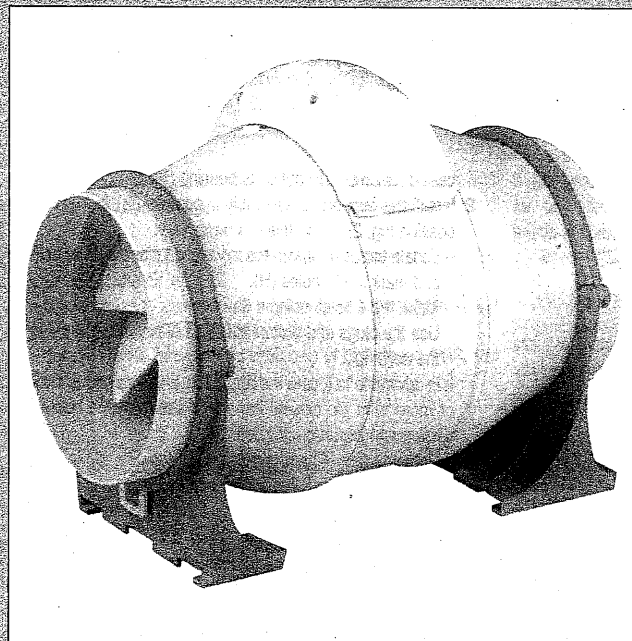
- Free technical advice help-desk from Engineers on all aspects of ventilation.
- Free design service, quotations and site surveys.
- Service and maintenance contracts to suit all requirements.

#### Please ask for details:

- By telephone on Techline: +44 (0) 8709 000430
- By fax on Techfax: +44 (0) 8709 000530
- At the address below.

#### International

- Guarantee: Contact your local distributor or Xpelair direct for details.
- Technical Advice and Service: Contact your local Xpelair distributor.



- XIM100+

- XIM100+T

- XIM125

- XIM150

- XIM150T

- XIM200

GB

E

D

F

I

NL

P

DK

S

N

SF



Applied Energy Products, Ltd  
Morley Way  
Peterborough  
PE 29JJ

t 01733 456789  
f 01733 310606  
www.applied-energy.com

Xpelair is a registered trademark of Applied Energy Products Limited. Applied Energy Products reserve the right to alter product specifications or appearance without prior notice. All finishes and diagrams in this booklet are as accurate as printing process allow.

**XIM Inline Mixed Flow Fans**  
Installation and maintenance instructions



Having unpacked the appliance, check that it is undamaged and that it works correctly. If there is any fault or damage, do not attempt to use it or repair it. Any defect in origin is covered by the guarantee.

## GENERAL CONDITIONS

- This type of extractor is designed to work inserted into any stretch of air extraction conduit, whether positioned vertically or horizontally.
- This tubular extractor is designed to be installed in a flexible or rigid conduit of 100/125/150/200 mm. diameter for the XIM100+/XIM125/XIM150/XIM200. The extractor (C) is placed between points A and B (intake and exhaust) (Fig. 1).
- Do not install the exhaust pipe (A, B) of the extractor unit to a chimney, ventilation pipe or hot air conduit (fig. 1).
- Before connecting the unit to pipelines, consult the local municipal regulations regarding exhaust air and ask the permission of the person in charge of the building.
- Precautions must be taken to avoid the back-flow of gases into the room from the open flue of gas or other open-fire appliances.
- Make sure that the ventilation is appropriate, especially when the extractor is used in conjunction with an appliance with a combustion chamber.
- This extractor is designed for the ventilation of homes or similar premises.
- Do not use the extractor in explosive atmospheres.
- Do not use in premises where the room temperature is above 60° C.
- This extractor does not cause any interference in radio/television sets (C.E.E. regulation No. 89/336).

## INSTALLATION

- All installations must be supervised by a qualified electrician. Installations and wiring must conform to current IEE regulations (UK), local or appropriate regulations (other countries).
  - Failure to comply with these instructions may invalidate the guarantee.
  - In the event of incorrect installation, The Manufacturer will not accept responsibility for the material or personal damage which may be occasioned.
  - Before beginning the installation, check that:
    - The fan is not distorted or damaged.
    - There is no foreign body lodged within the casing.
    - The fan moves freely on being turned by hand.
- 1- Loosen the 2 screws (D) and lift the flanges (E). Take the

casing assembly (F) out of its housing (fig. 2).

- 2- Install the supporting assembly + nozzles (G) in the chosen position (fig. 2). To do this it is necessary:
  - Locate the assembly in the installation place (wall or ceiling) and mark the 4 holes (H).
  - Make the 4 holes using a 6 mm. bit.
  - Use the plugs and screws supplied with the appliance to fix the assembly.

It is advisable to locate the appliance at a distance of 1 metre or more from the closest bend and also from the nearest of suction and expulsion nozzles.
- 3- Join the suction (A) and expulsion (B) conduits to the nozzles (I) by flanges or resistant adhesive tape (fig. 2).  
It is important that the tubing is of the same diameter as the nozzles to allow efficient operation of the extractor.
- 4- Replace the casing (F) in its housing in such a way that the air circulation direction indicated by the arrows (J) and the cable outlet direction are as desired. Close the flanges (E) and tighten the screws (D) (fig. 2).

## N.B.

Make sure that once the appliance is installed there is no accidental access to the moving parts.

## ELECTRICAL CONNECTION

- The appliance must be connected to a single-phase mains power supply network, at the voltage and frequency indicated on the extractor rating plate.
  - The installation must have a double pole isolating switch with a distance between contacts equal to or over 3 mm.
  - Earthing is not required as this is an appliance with double insulation. (Class II).
  - The appliance must be connected permanently to a fixed channelling by a fixed installation cable. (Flex of two conductor wires of minimum section 1 mm<sup>2</sup> and maximum 1.5 mm<sup>2</sup>).
- To make the electrical connection:
- 1- Loosen the 4 screws (K) and take off the connection cover (M) (fig. 2).
  - 2- Perforate the flex holder (O) to allow the power supply wires to pass through (fig. 2 and 3).
  - 3- Make the connections as indicated below:

### Model XIM100+/XIM125/XIM150

- If you wish to install a switch to allow a choice between high speed (HV) and low speed (LV), see the connection sketch in figs. 3 and 4.

- If you wish the appliance to work only at low speed (LV), see the connection sketch in fig. 5.
- If you wish the appliance to work only at high speed (HV), see the connection sketch in fig. 6.

### Model XIM200

- If you wish to install a switch to allow a choice between high speed (HV) and low speed (LV), see the connection sketch in figs. 3 and 4.
- If you wish the appliance to work only at low speed (LV), see the connection sketch in fig. 5.
- If you wish the appliance to work only at intermediate speed (MV), see the connection sketch in fig. 6.
- If you wish the appliance to work only at high speed (HV), see the connection sketch in fig. 10.

### Model XIM150T

The timer is factory set only for high speed (HV).

#### Timer for high speed

See figs. 7 and 8.

#### Timer for low speed

If you wish, you can set the timer for low speed (LV) leaving the high speed (HV) without a timer. To make this change (fig. 7):

- Disconnect wires 6M, 8 and 6T.
- Connect wire 8 to S.
- Connect wire 6M to N2.
- Connect wire 6T to N1.

Figs. 8 and 9 show the connections for this case.

Adjust the timer by turning the knob (U) in a clockwise direction to increase the operating time (3' - 15').

- 4- Loosen the 2 screws (P) and compress the power supply flex with the piece (R). Then tighten the 2 screws (P) again (fig. 3).
- 5- Replace the connection cover (M) and tighten the 4 screws (K) (fig. 2).

## MAINTENANCE AND SERVICE

- Before carrying out any type of maintenance, disconnect the appliance from the mains supply.
  - For any maintenance operation which is not simply cleaning the exterior of the appliance, the casing assembly must be taken out of its housing as indicated in point 1 of the section Installation Instructions.
- Then the two reducer tubes (V) must be removed following the steps set out below (see fig. 10):
- 1- Loosen the screw (X).
  - 2- Turn the reducer tube (V) about 9° anticlockwise (arrow 1).
  - 3- Pull the reducer tube (V) out (arrow 2).
- The motor, fan and all the components must be regularly inspected to ensure that they are not dirty nor have suffered any damage. The frequency of inspection will depend on the operating conditions of the appliance.
  - During the maintenance sessions remove any dirt collected on the fan blades and the internal parts of the frame to avoid any

imbalance in operation, which would lead to a reduction of the aerodynamic qualities and possible damage to the motor. Cleaning the parts should be done with a damp cloth and mild detergent. Never submerge the appliance in water or in any other liquid. Do not use solvents to clean the appliance.

- The motor bearings need no maintenance.
- Having carried out the maintenance operations, reassemble the reducer tubes (V) in reverse order of steps 1, 2 and 3 of this section. Replace the casing assembly in its housing as indicated in point 4 of the section Installation Instructions.



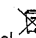
The symbol  on the product or on its packaging indicates that this product may not be treated as household waste. Instead it shall be handed over to the applicable collection point for the recycling of electrical and electronic equipment. By ensuring this product is disposed of correctly, you will help prevent potential negative consequences for the environment and human health, which could otherwise be caused by inappropriate waste handling of this product. For more detailed information about recycling of this product, please contact your local city office, your household waste disposal service or the shop where you purchased the product.

Fig. 1

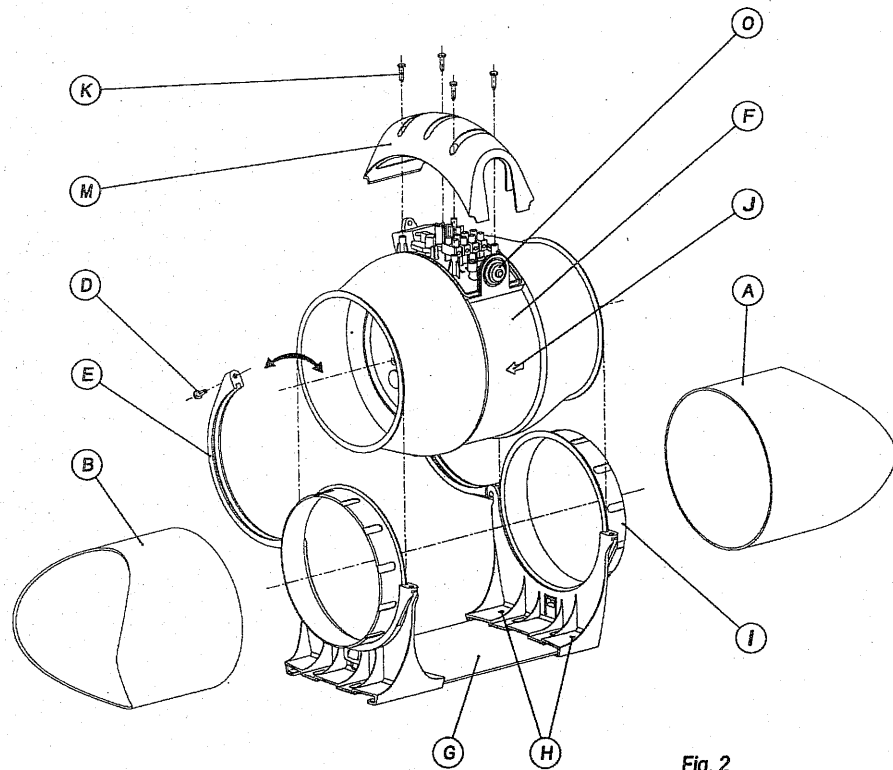
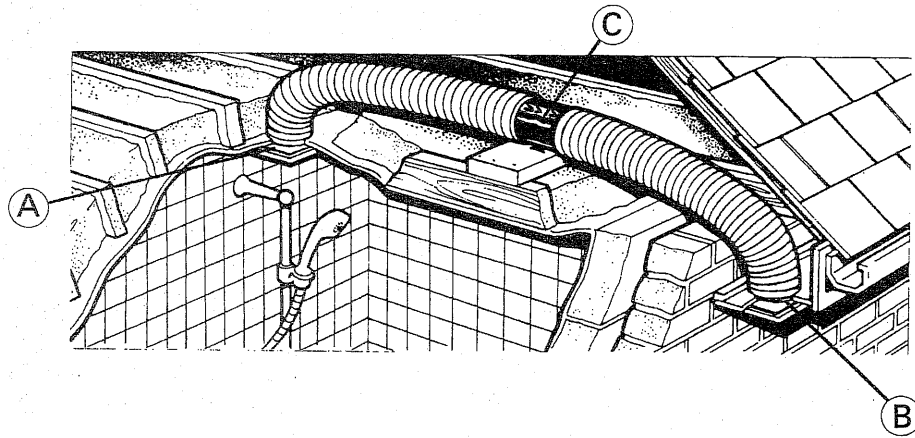
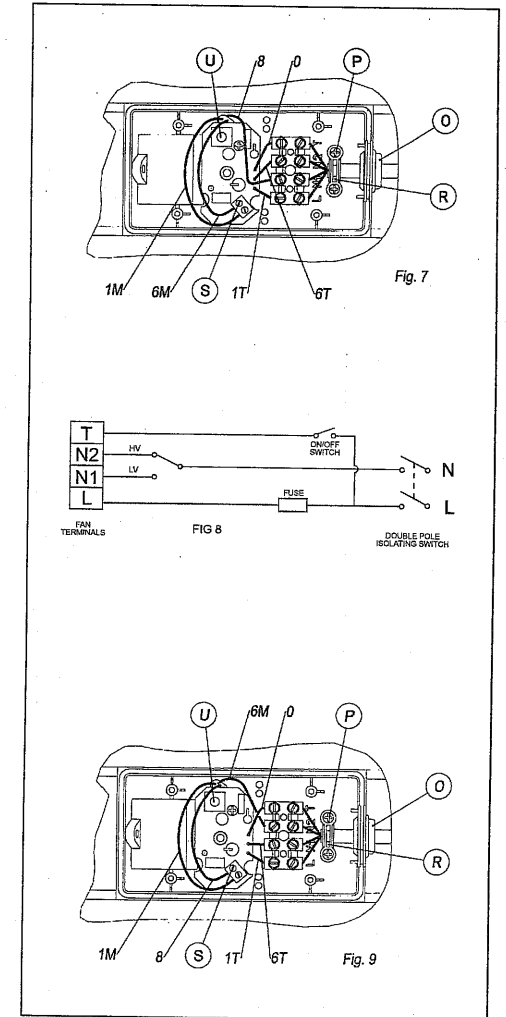
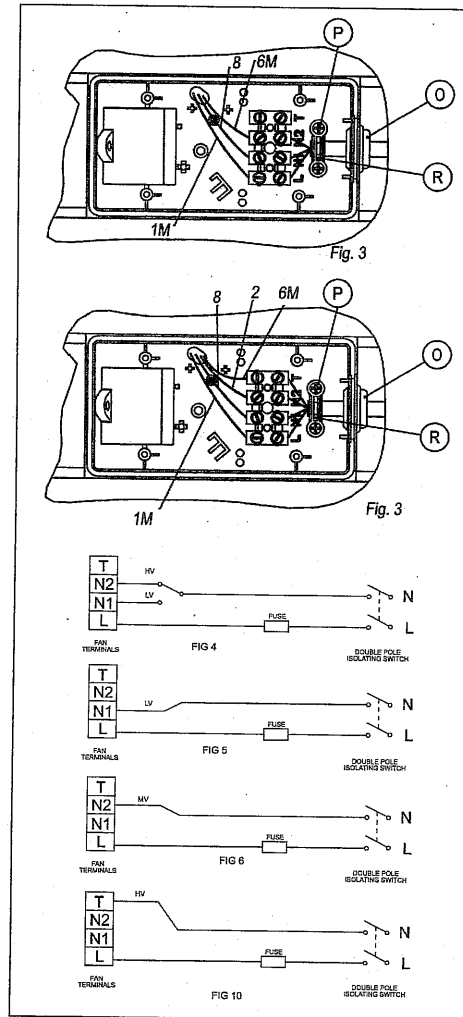


Fig. 2



<b>English</b> 0 Black 1M, 1T Brown 6M, 6T Blue 8 Grey	<b>Español</b> 0 Negro 1M, 1T Marrón 6M, 6T Azul 8 Gris	<b>Deutsch</b> 0 Schwarz 1M, 1T Braun 6M, 6T Blau 8 Grau	<b>Français</b> 0 Noir 1M, 1T Marron 6M, 6T Bleu 8 Gris	<b>Italiano</b> 0 Nero 1M, 1T Marrone 6M, 6T Blu 8 Grigio	<b>Nederlands</b> 0 Zwart 1M, 1T Bruin 6M, 6T Blauw 8 Grijs	<b>Português</b> 0 Preto 1M, 1T Castanho 6M, 6T Azul 8 Cincento
<b>Dansk</b> 0 Sort 1M, 1T Brun 6M, 6T Blå 8 Grå	<b>Suomi</b> 0 Musta 1M, 1T Ruskea 6M, 6T Sininen 8 Harmaa	<b>Norsk</b> 0 Sort 1M, 1T Blå 6M, 6T Brun 8 Grå	<b>Svenska</b> 0 Svart 1M, 1T Brun 6M, 6T Blå 8 Grå			

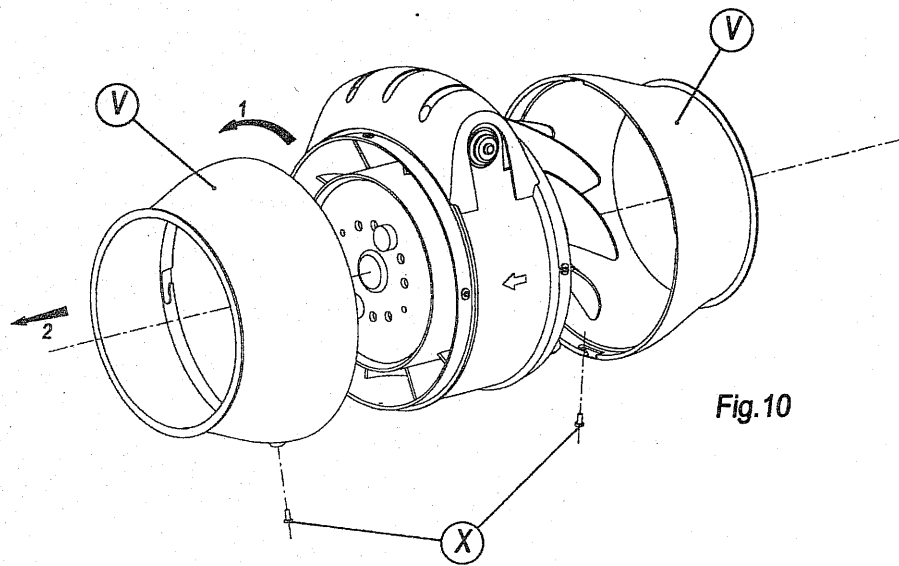


Fig.10