

G2G085-AB02-01

# EC centrifugal fan

forward-curved, single-intake  
with housing (flange)



## ebm-papst Mulfingen GmbH & Co. KG

Bachmühle 2 · D-74673 Mulfingen

Phone +49 7938 81-0

Fax +49 7938 81-110

info1@de.ebmpapst.com

www.ebmpapst.com

Limited partnership · Headquarters Mulfingen

Amtsgericht (court of registration) Stuttgart · HRA 590344

General partner Elektrobau Mulfingen GmbH · Headquarters Mulfingen

Amtsgericht (court of registration) Stuttgart · HRB 590142

## Nominal data

Type	G2G085-AB02-01	
Motor	M2G045-BF	
Nominal voltage	VDC	24
Nominal voltage range	VDC	18 .. 30
Method of obtaining data		fa
Speed	min <sup>-1</sup>	2300
Power consumption	W	12
Min. back pressure	Pa	0
Min. ambient temperature	°C	-25
Max. ambient temperature	°C	65

ml = Max. load · me = Max. efficiency · fa = Free air · cs = Customer specification · ce = Customer equipment  
Subject to change



# EC centrifugal fan

forward-curved, single-intake  
with housing (flange)

## Technical description

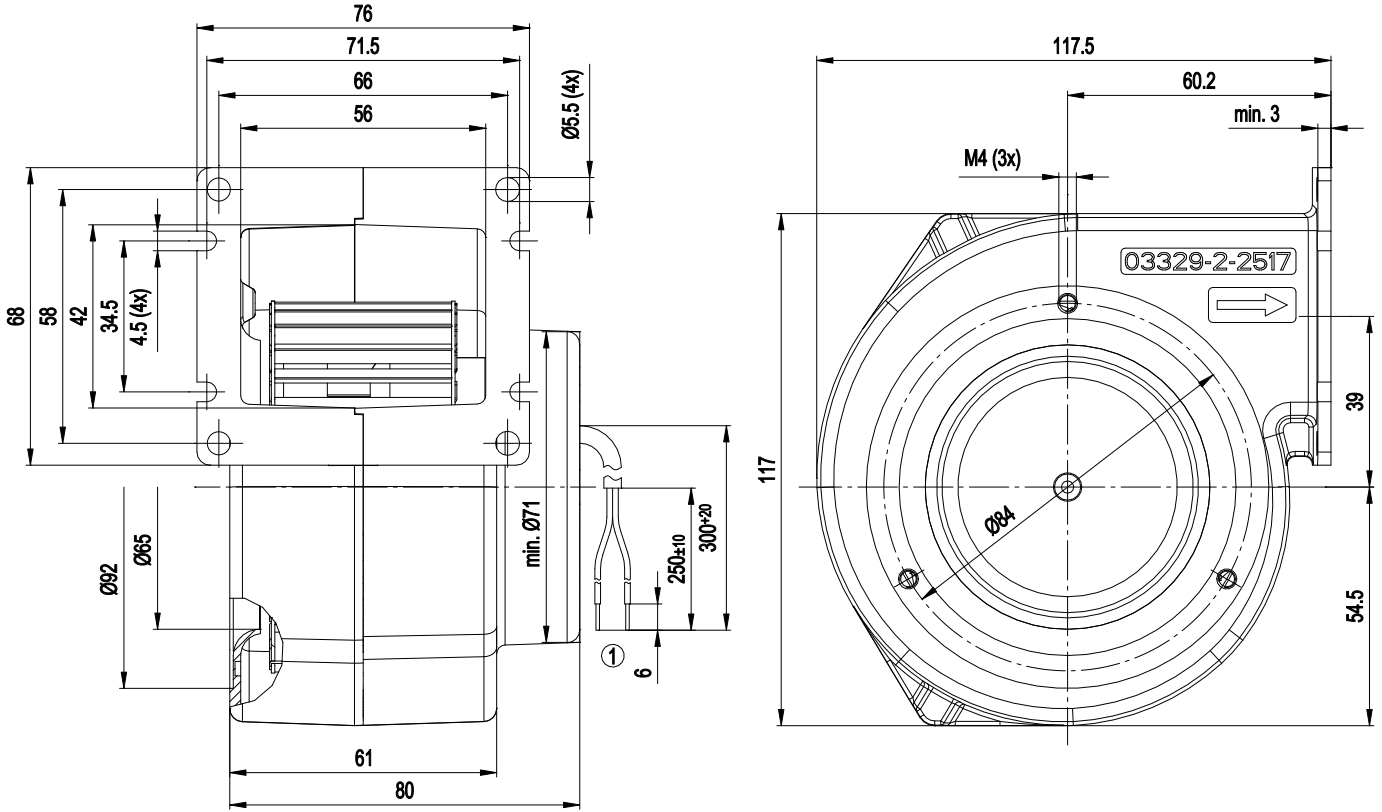
<b>Weight</b>	0.84 kg
<b>Fan size</b>	85 mm
<b>Rotor surface</b>	Thick-film passivated
<b>Impeller material</b>	Sheet steel, hot-dip galvanized
<b>Housing material</b>	Die-cast aluminum
<b>Direction of rotation</b>	Clockwise, viewed toward rotor
<b>Degree of protection</b>	IP22
<b>Insulation class</b>	"B"
<b>Max. permitted ambient temp. for motor (transport/storage)</b>	+ 80 °C
<b>Min. permitted ambient temp. for motor (transport/storage)</b>	- 40 °C
<b>Installation position</b>	Any
<b>Condensation drainage holes</b>	None
<b>Mode</b>	S1
<b>Motor bearing</b>	Ball bearing
<b>Motor protection</b>	Reverse polarity and locked-rotor protection
<b>With cable</b>	Axial
<b>Conformity with standards</b>	EN 60950-1



# EC centrifugal fan

forward-curved, single-intake  
with housing (flange)

## Product drawing



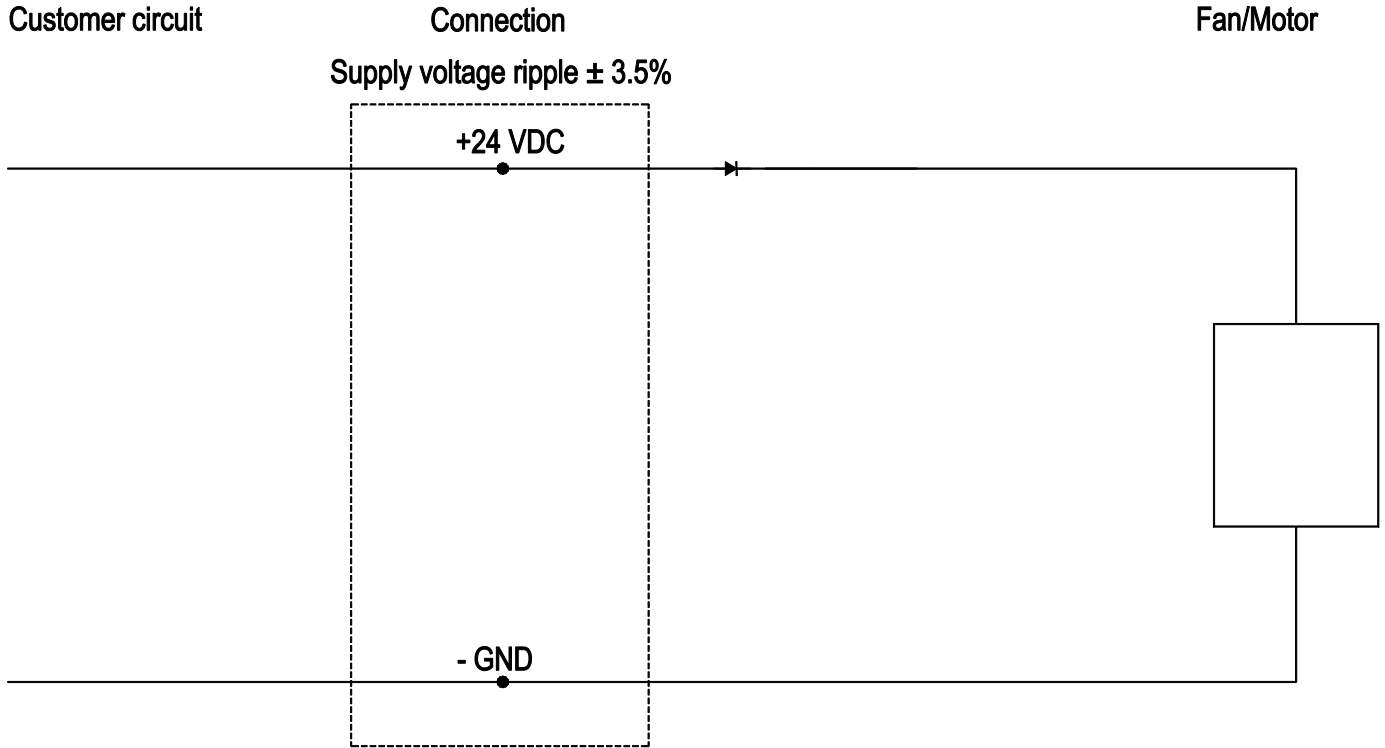
1 Cable PVC AWG22, 2x tin-plated wire ends



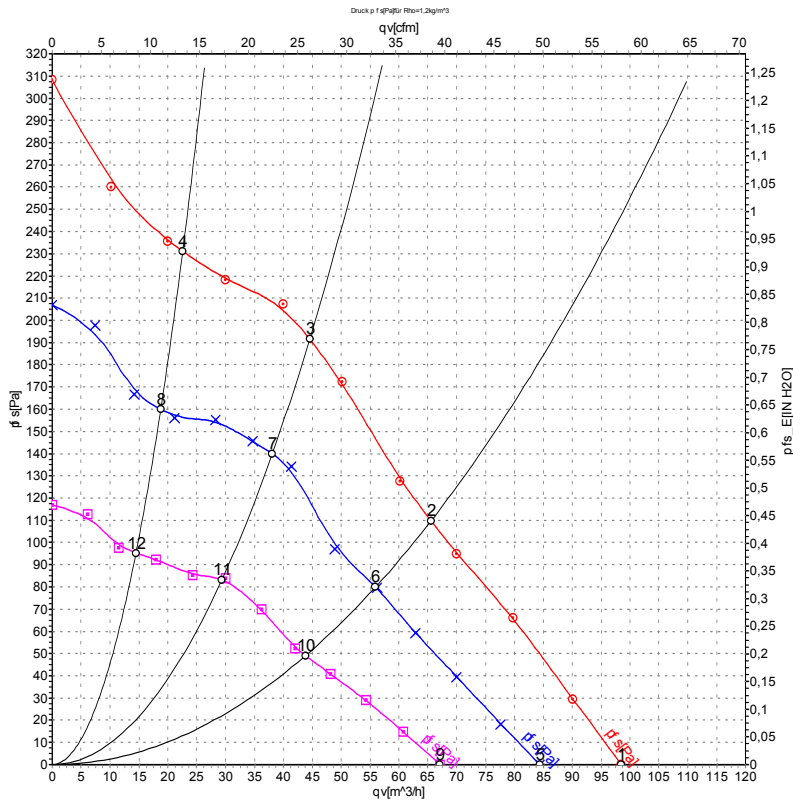
# EC centrifugal fan

forward-curved, single-intake  
with housing (flange)

## Connection diagram



## Curves: Air performance



Measurement: LU-126372-1  
 Measurement: LU-126371-1  
 Measurement: LU-126374-1

Air performance measured according to ISO 5801 installation category A. For detailed information on the measurement setup, contact ebm-papst. Intake sound level: Sound power level according to ISO 13347 / sound pressure level measured at 1 m distance from fan axis. The values given are valid under the specified measuring conditions and may vary due to conditions of installation. For deviations from the standard configuration, the parameters have to be checked on the installed unit.

## Measured values

	U	n	P <sub>ed</sub>	I	qv	p <sub>fs</sub>
	V	min <sup>-1</sup>	W	A	m <sup>3</sup> /h	Pa
1	30	2910	19	0.69	100	0
2	30	3355	15	0.53	65	110
3	30	3655	12	0.43	45	192
4	30	3985	10.0	0.35	25	231
5	24	2520	12	0.52	85	0
6	24	2875	9.0	0.39	55	80
7	24	3105	7.5	0.32	40	140
8	24	3320	6.3	0.27	20	160
9	18	2040	6.0	0.35	65	0
10	18	2280	4.7	0.27	45	49
11	18	2460	3.8	0.22	30	84
12	18	2580	3.2	0.20	15	95

U = Power supply · n = Speed · P<sub>ed</sub> = Power consumption · I = Current draw · qv = Air flow · p<sub>fs</sub> = Pressure increase

