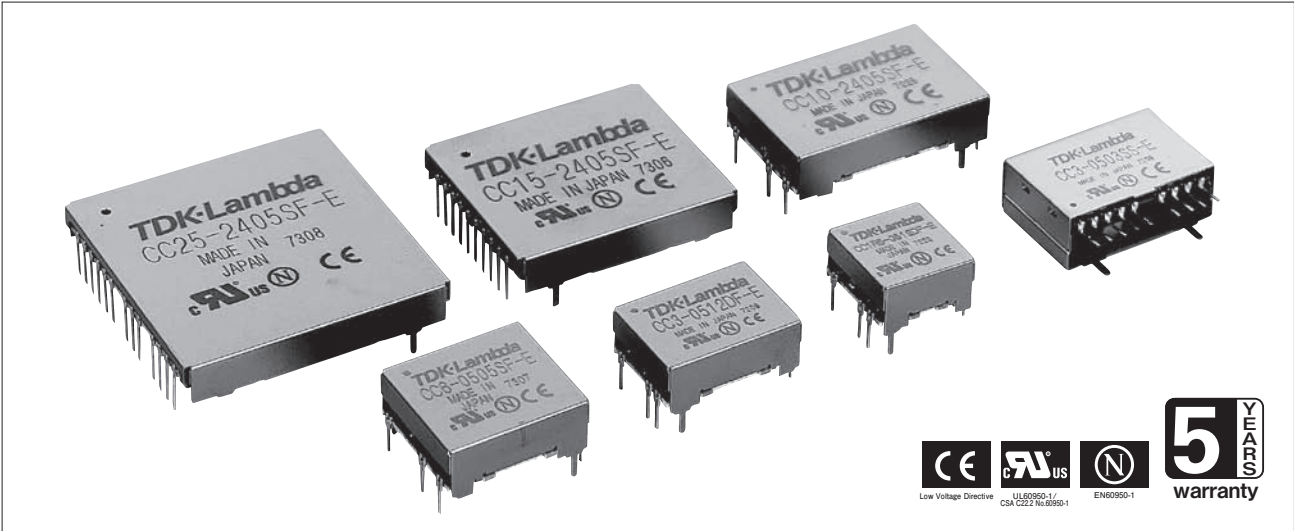


CC-E

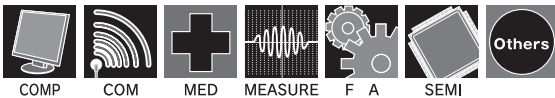
Insulation type DC-DC converter



Features

- Mounting area halved compared to existing products
- Nonuse of tantalum capacitor or aluminum electrolytic capacitor
- Remote On/Off function incorporated in all series of products
- High accuracy of $\pm 3\%$ in output voltage (10W of lower single output)
- 5-side metal-shielded low noise design
- Lightweight design with no resin filled up
- Supports DIP insertion, SMD mounting and SIP vertical insertion (3W products)
- Approved by UL60950-1, CSA C22.2 No.60950-1 (C-UL), and EN60950-1 (NEMKO)

Applications



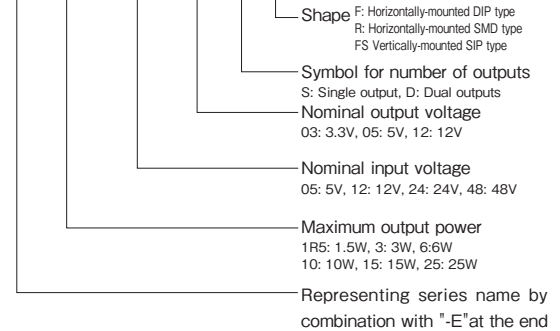
Product Line up

| Output power | Input voltage | Model name (output voltage: 3.3V) | | | | Model name (output voltage: 5V) | | | | Model name (output voltage: 12V/15V) | | | | Model name (output voltage: $\pm 12V/\pm 15V$) | | | |
|--------------|---------------|-----------------------------------|----------------|----------------|--------------|---------------------------------|----------------|----------------|--------------|--------------------------------------|----------------|----------------|--------------|---|----------------|----------------|--------------|
| | | Output current | DIP type | SMD type | SIP type | Output current | DIP type | SMD type | SIP type | Output current | DIP type | SMD type | SIP type | Output current | DIP type | SMD type | SIP type |
| 1.5W | 5V | 0.4A | CC1R5-0503SF-E | CC1R5-0503SR-E | - | 0.3A | CC1R5-0505SF-E | CC1R5-0505SR-E | - | 0.125A (0.1A) | CC1R5-0512SF-E | CC1R5-0512SR-E | - | 0.06A (0.05A) | CC1R5-0512DF-E | CC1R5-0512DR-E | - |
| | 12V | 0.4A | CC1R5-1203SF-E | CC1R5-1203SR-E | - | 0.3A | CC1R5-1205SF-E | CC1R5-1205SR-E | - | 0.125A (0.1A) | CC1R5-1212SF-E | CC1R5-1212SR-E | - | 0.06A (0.05A) | CC1R5-1212DF-E | CC1R5-1212DR-E | - |
| | 24V | 0.4A | CC1R5-2403SF-E | CC1R5-2403SR-E | - | 0.3A | CC1R5-2405SF-E | CC1R5-2405SR-E | - | 0.125A (0.1A) | CC1R5-2412SF-E | CC1R5-2412SR-E | - | 0.06A (0.05A) | CC1R5-2412DF-E | CC1R5-2412DR-E | - |
| | 48V | 0.4A | CC1R5-4803SF-E | CC1R5-4803SR-E | - | 0.3A | CC1R5-4805SF-E | CC1R5-4805SR-E | - | 0.125A (0.1A) | CC1R5-4812SF-E | CC1R5-4812SR-E | - | 0.06A (0.05A) | CC1R5-4812DF-E | CC1R5-4812DR-E | - |
| 3W | 5V | 0.8A | CC3-0503SF-E | CC3-0503SR-E | CC3-0503SS-E | 0.6A | CC3-0505SF-E | CC3-0505SR-E | CC3-0505SS-E | 0.25A (0.2A) | CC3-0512SF-E | CC3-0512SR-E | CC3-0512SS-E | 0.125A (0.1A) | CC3-0512DF-E | CC3-0512DR-E | CC3-0512DS-E |
| | 12V | 0.8A | CC3-1203SF-E | CC3-1203SR-E | CC3-1203SS-E | 0.6A | CC3-1205SF-E | CC3-1205SR-E | CC3-1205SS-E | 0.25A (0.2A) | CC3-1212SF-E | CC3-1212SR-E | CC3-1212SS-E | 0.125A (0.1A) | CC3-1212DF-E | CC3-1212DR-E | CC3-1212DS-E |
| | 24V | 0.8A | CC3-2403SF-E | CC3-2403SR-E | - | 0.6A | CC3-2405SF-E | CC3-2405SR-E | CC3-2405SS-E | 0.25A (0.2A) | CC3-2412SF-E | CC3-2412SR-E | CC3-2412SS-E | 0.125A (0.1A) | CC3-2412DF-E | CC3-2412DR-E | CC3-2412DS-E |
| | 48V | 0.8A | CC3-4803SF-E | CC3-4803SR-E | CC3-4803SS-E | 0.6A | CC3-4805SF-E | CC3-4805SR-E | CC3-4805SS-E | 0.25A (0.2A) | CC3-4812SF-E | CC3-4812SR-E | - | 0.125A (0.1A) | CC3-4812DF-E | CC3-4812DR-E | CC3-4812DS-E |
| 6W | 5V | 1.2A | CC6-0503SF-E | CC6-0503SR-E | - | 1A | CC6-0505SF-E | CC6-0505SR-E | - | 0.5A (0.4A) | CC6-0512SF-E | CC6-0512SR-E | - | 0.25A (0.2A) | CC6-0512DF-E | CC6-0512DR-E | - |
| | 12V | 1.2A | CC6-1203SF-E | CC6-1203SR-E | - | 1.2A | CC6-1205SF-E | CC6-1205SR-E | - | 0.5A (0.4A) | CC6-1212SF-E | CC6-1212SR-E | - | 0.25A (0.2A) | CC6-1212DF-E | CC6-1212DR-E | - |
| | 24V | 1.2A | CC6-2403SF-E | CC6-2403SR-E | - | 1.2A | CC6-2405SF-E | CC6-2405SR-E | - | 0.5A (0.4A) | CC6-2412SF-E | CC6-2412SR-E | - | 0.25A (0.2A) | CC6-2412DF-E | CC6-2412DR-E | - |
| | 48V | 1.2A | CC6-4803SF-E | CC6-4803SR-E | - | 1.2A | CC6-4805SF-E | CC6-4805SR-E | - | 0.5A (0.4A) | CC6-4812SF-E | CC6-4812SR-E | - | 0.25A (0.2A) | CC6-4812DF-E | CC6-4812DR-E | - |
| 10W | 5V | 2.5A | CC10-0503SF-E | CC10-0503SR-E | - | 2A | CC10-0505SF-E | CC10-0505SR-E | - | 0.8A (0.64A) | CC10-0512SF-E | CC10-0512SR-E | - | 0.4A (0.32A) | CC10-0512DF-E | CC10-0512DR-E | - |
| | 12V | 2.5A | CC10-1203SF-E | CC10-1203SR-E | - | 2A | CC10-1205SF-E | CC10-1205SR-E | - | 1A (0.8A) | CC10-1212SF-E | CC10-1212SR-E | - | 0.45A (0.36A) | CC10-1212DF-E | CC10-1212DR-E | - |
| | 24V | 2.5A | CC10-2403SF-E | CC10-2403SR-E | - | 2A | CC10-2405SF-E | CC10-2405SR-E | - | 1A (0.8A) | CC10-2412SF-E | CC10-2412SR-E | - | 0.45A (0.36A) | CC10-2412DF-E | CC10-2412DR-E | - |
| | 48V | 2.5A | CC10-4803SF-E | CC10-4803SR-E | - | 2A | CC10-4805SF-E | CC10-4805SR-E | - | 1A (0.8A) | CC10-4812SF-E | CC10-4812SR-E | - | 0.45A (0.36A) | CC10-4812DF-E | CC10-4812DR-E | - |
| 15W | 24V | 4.5A | CC15-2403SF-E | CC15-2403SR-E | - | 3A | CC15-2405SF-E | CC15-2405SR-E | - | - | - | - | - | - | - | - | - |
| 25W | 24V | 7.5A | CC25-2403SF-E | CC25-2403SR-E | - | 5A | CC25-2405SF-E | CC25-2405SR-E | - | - | - | - | - | - | - | - | - |

• All specifications are subject to change without notice.

Model-naming method

CC 3 - 05 05 S F - E



Conformity to RoHS Directive

This means that, in conformity with EU Directive 2002/95/EC, lead, cadmium, mercury, hexavalent chromium, and specific bromine-based flame retardants, PBB and PBDE, have not been used, except for exempted applications.

CC1R5-E Specifications

| ITEMS/UNITS | | MODEL | CC1R5-0503Sx-E | CC1R5-0505Sx-E | CC1R5-0512Sx-E | | CC1R5-0512Dx-E | |
|-------------------------|---|------------------------------|--|----------------|----------------|-------|----------------|-------|
| Input | Nominal Voltage | V | DC5.0 | | | | | |
| | Voltage Range | V | DC4.5-9.0 | | | | | |
| | Efficiency (typ) (*1) | % | 71 | 77 | 80 | | 79 | |
| | Current (typ) (*1) | A | 0.372 | 0.390 | 0.375 | | 0.380 | |
| Output | Nominal Voltage | VDC | 3.3 | 5 | 12 | 15 | ± 12 | ± 15 |
| | Maximum Current | A | 0.400 | 0.300 | 0.125 | 0.100 | 0.060 | 0.050 |
| | Maximum Power (*2) | W | 1.32 | | 1.5 | | | |
| | Maximum Line Regulation (Within input voltage range) | mV | 20 | | 40 | | 80 | |
| | Maximum Load Regulation (0-100% load) (*3) | mV | 40 | | 100 | | 600 | |
| | Temperature Coefficient (Ambient temperature-40°C to +50°C) | | 80mV | | 200mV | | 300mV | |
| | Max Power Total Regulation (max)(*4) | % | ± 3 | | | | | |
| | Maximum Ripple & Noise (typ/max) (*5) | mVp-p | 40/120 | | 30/120 | | | |
| | Voltage Adjustable Range | VDC | 3.15-3.6 | 4.75-6.0 | 11.4-15.0 | | ± 11.4 ± 15.0 | |
| | Function | Over Current Protection (*6) | | Available | | | | |
| Over Voltage Protection | | | Not available | | | | | |
| Remote ON/OFF Control | | | Available | | | | | |
| Environment | Operating Temperature | °C | -40 to +85 | | | | | |
| | Storage Temperature | °C | -40 to +85 | | | | | |
| | Operating Humidity | % RH | 5-95 (the conditions of maximum 38°C in wet bulb temperature and non-condensation should be ensured.) | | | | | |
| | Storage Humidity | % RH | 5-95 (the conditions of maximum 38°C in wet bulb temperature and non-condensation should be ensured.) | | | | | |
| Isolation | Vibration | | 10-55Hz, 15 minutes sweep and 1.52mm total amplitude, 3 directions, 2h for each | | | | | |
| | Shock | | 980m/s ² (100G), 6ms, 6 directions, 3 times for each, in non-operation | | | | | |
| | Withstand Voltage | | Between input terminal and case, between input terminal and output terminal, and between output terminal and case: 500VAC (for 1 minute) | | | | | |
| Standards | Isolation Resistance | | Between input terminal and output terminal: 500VDC, 50MΩ min | | | | | |
| | Safety Standards | | UL60950-1, CSA C22.2 No.60950-1 (C-UL), EN60950-1 (NEMKO) | | | | | |
| Mechanical | Weight (typ) | g | 3.2 | | | | | |
| | Size (W x H x D) | mm | DIP: 16.51 x 8.5 x 16.6 / SMD: 16.51 x 8.8 x 16.6 | | | | | |

Note: "x" in model names is to be replaced by a symbol which represents the terminal configuration (F: DIP/R: SMD) for actual model names.

Note: With nominal input/output voltage, maximum output current, and Ta=25°C, if not specified separately.

Note: For 12V/±12V models, output voltage can be set to 15V/±15V by connecting the output adjustment terminal TRM to -Vout.

Note: For ± 12V model, output voltage can be set to 24V or 30V single output by making the COM terminal open.

(*1) With nominal input voltage, maximum output current, and Ta=25°C.

(*2) The maximum output power value is between -40°C and +50°C. For use in outside this temperature range, derating is needed.

(*3) In balanced load for dual outputs ("balanced load" means a condition where the +output and -output of load current are equal).

(*4) Output voltage includes input change, load change (balanced load), and temperature change.

(*5) In 50MHz, Ta=25°C.

(*6) Output current restriction method. Automatically resumes when the causes are removed. Never operate the unit under output-shortened or overload conditions for over 30 seconds.

| ITEMS/UNITS | | MODEL | CC1R5-1203Sx-E | CC1R5-1205Sx-E | CC1R5-1212Sx-E | | CC1R5-1212Dx-E | |
|-------------------------|---|------------------------------|--|----------------|----------------|-------|----------------|-------|
| Input | Nominal Voltage | V | DC12 | | | | | |
| | Voltage Range | V | DC9.0-18 | | | | | |
| | Efficiency (typ) (*1) | % | 73 | 78 | 82 | | 81 | |
| | Current (typ) (*1) | A | 0.151 | 0.160 | 0.152 | | 0.154 | |
| Output | Nominal Voltage | VDC | 3.3 | 5 | 12 | 15 | ± 12 | ± 15 |
| | Maximum Current | A | 0.400 | 0.300 | 0.125 | 0.100 | 0.060 | 0.050 |
| | Maximum Power (*2) | W | 1.32 | | 1.5 | | | |
| | Maximum Line Regulation (Within input voltage range) | mV | 20 | | 40 | | 80 | |
| | Maximum Load Regulation (0-100% load) (*3) | mV | 40 | | 100 | | 600 | |
| | Temperature Coefficient (Ambient temperature-40°C to +50°C) | | 80mV | | 200mV | | 300mV | |
| | Max Power Total Regulation (max)(*4) | % | ± 3 | | | | | |
| | Maximum Ripple & Noise (typ/max) (*5) | mVp-p | 40/120 | | 30/120 | | | |
| | Voltage Adjustable Range | VDC | 3.15-3.6 | 4.75-6.0 | 11.4-15.0 | | ± 11.4 ± 15.0 | |
| | Function | Over Current Protection (*6) | | Available | | | | |
| Over Voltage Protection | | | Not available | | | | | |
| Remote ON/OFF Control | | | Available | | | | | |
| Environment | Operating Temperature | °C | -40 to +85 | | | | | |
| | Storage Temperature | °C | -40 to +85 | | | | | |
| | Operating Humidity | % RH | 5-95 (the conditions of maximum 38°C in wet bulb temperature and non-condensation should be ensured.) | | | | | |
| | Storage Humidity | % RH | 5-95 (the conditions of maximum 38°C in wet bulb temperature and non-condensation should be ensured.) | | | | | |
| Isolation | Vibration | | 10-55Hz, 15 minutes sweep and 1.52mm total amplitude, 3 directions, 2h for each | | | | | |
| | Shock | | 980m/s ² (100G), 6ms, 6 directions, 3 times for each, in non-operation | | | | | |
| | Withstand Voltage | | Between input terminal and case, between input terminal and output terminal, and between output terminal and case: 500VAC (for 1 minute) | | | | | |
| Standards | Isolation Resistance | | Between input terminal and output terminal: 500VDC, 50MΩ min | | | | | |
| | Safety Standards | | UL60950-1, CSA C22.2 No.60950-1 (C-UL), EN60950-1 (NEMKO) | | | | | |
| Mechanical | Weight (typ) | g | 3.2 | | | | | |
| | Size (W x H x D) | mm | DIP: 16.51 x 8.5 x 16.6 / SMD: 16.51 x 8.8 x 16.6 | | | | | |

Note: "x" in model names is to be replaced by a symbol which represents the terminal configuration (F: DIP/R: SMD) for actual model names.

Note: With nominal input/output voltage, maximum output current, and Ta=25°C, if not specified separately.

Note: For 12V/±12V models, output voltage can be set to 15V/±15V by connecting the output adjustment terminal TRM to -Vout.

Note: For ± 12V model, output voltage can be set to 24V or 30V single output by making the COM terminal open.

(*1) With nominal input voltage, maximum output current, and Ta=25°C.

(*2) The maximum output power value is between -40°C and +50°C. For use in outside this temperature range, derating is needed.

(*3) In balanced load for dual outputs ("balanced load" means a condition where the +output and -output of load current are equal).

(*4) Output voltage includes input change, load change (balanced load), and temperature change.

(*5) In 50MHz, Ta=25°C.

(*6) Output current restriction method. Automatically resumes when the causes are removed. Never operate the unit under output-shortened or overload conditions for over 30 seconds.

| ITEMS/UNITS | | MODEL | CC1R5-2403Sx-E | CC1R5-2405Sx-E | CC1R5-2412Sx-E | | CC1R5-2412Dx-E | |
|-------------------------|---|------------------------------|--|----------------|----------------|-------|----------------|-------|
| Input | Nominal Voltage | V | DC24 | | | | | |
| | Voltage Range | V | DC18-36 | | | | | |
| | Efficiency (typ) (*1) | % | 72 | 77 | 81 | | 79 | |
| | Current (typ) (*1) | A | 0.076 | 0.081 | 0.077 | | 0.079 | |
| Output | Nominal Voltage | VDC | 3.3 | 5 | 12 | 15 | ± 12 | ± 15 |
| | Maximum Current | A | 0.400 | 0.300 | 0.125 | 0.100 | 0.060 | 0.050 |
| | Maximum Power (*2) | W | 1.32 | | 1.5 | | | |
| | Maximum Line Regulation (Within input voltage range) | mV | 20 | | 40 | | 80 | |
| | Maximum Load Regulation (0-100% load) (*3) | mV | 40 | | 100 | | 600 | |
| | Temperature Coefficient (Ambient temperature-40°C to +50°C) | | 80mV | | 200mV | | 300mV | |
| | Max Power Total Regulation (max)(*4) | % | ± 3 | | | | ± 5 | |
| | Maximum Ripple & Noise (typ/max) (*5) | mVp-p | 40/120 | | 30/120 | | | |
| | Voltage Adjustable Range | VDC | 3.15-3.6 | 4.75-6.0 | 11.4-15.0 | | ± 11.4 ± 15.0 | |
| | Function | Over Current Protection (*6) | | Available | | | | |
| Over Voltage Protection | | | Not available | | | | | |
| Remote ON/OFF Control | | | Available | | | | | |
| Environment | Operating Temperature | °C | -40 to +85 | | | | | |
| | Storage Temperature | °C | -40 to +85 | | | | | |
| | Operating Humidity | % RH | 5-95 (the conditions of maximum 38°C in wet bulb temperature and non-condensation should be ensured.) | | | | | |
| | Storage Humidity | % RH | 5-95 (the conditions of maximum 38°C in wet bulb temperature and non-condensation should be ensured.) | | | | | |
| Isolation | Vibration | | 10-55Hz, 15 minutes sweep and 1.52mm total amplitude, 3 directions, 2h for each | | | | | |
| | Shock | | 980m/s ² (100G), 6ms, 6 directions, 3 times for each, in non-operation | | | | | |
| | Withstand Voltage | | Between input terminal and case, between input terminal and output terminal, and between output terminal and case: 500VAC (for 1 minute) | | | | | |
| Standards | Isolation Resistance | | Between input terminal and output terminal: 500VDC, 50MΩ min | | | | | |
| | Safety Standards | | UL60950-1, CSA C22.2 No.60950-1 (C-UL), EN60950-1 (NEMKO) | | | | | |
| Mechanical | Weight (typ) | g | 3.2 | | | | | |
| | Size (W x H x D) | mm | DIP: 16.51 x 8.5 x 16.6 / SMD: 16.51 x 8.8 x 16.6 | | | | | |

Note: "x" in model names is to be replaced by a symbol which represents the terminal configuration (F: DIP/R: SMD) for actual model names.

Note: With nominal input/output voltage, maximum output current, and Ta=25°C, if not specified separately.

Note: For 12V/±12V models, output voltage can be set to 15V/±15V by connecting the output adjustment terminal TRM to -Vout.

Note: For ± 12V model, output voltage can be set to 24V or 30V single output by making the COM terminal open.

(*1) With nominal input voltage, maximum output current, and Ta=25°C.

(*2) The maximum output power value is between -40°C and +50°C. For use in outside this temperature range, derating is needed.

(*3) In balanced load for dual outputs ("balanced load" means a condition where the +output and -output of load current are equal).

(*4) Output voltage includes input change, load change (balanced load), and temperature change.

(*5) In 50MHz, Ta=25°C.

(*6) Output current restriction method. Automatically resumes when the causes are removed. Never operate the unit under output-shortened or overload conditions for over 30 seconds.

| ITEMS/UNITS | | MODEL | CC1R5-4803Sx-E | CC1R5-4805Sx-E | CC1R5-4812Sx-E | | CC1R5-4812Dx-E | |
|-------------------------|---|------------------------------|--|----------------|----------------|-------|----------------|-------|
| Input | Nominal Voltage | V | DC48 | | | | | |
| | Voltage Range | V | DC36-76 | | | | | |
| | Efficiency (typ) (*1) | % | 70 | 76 | 80 | | 79 | |
| | Current (typ) (*1) | A | 0.039 | 0.041 | 0.039 | | 0.040 | |
| Output | Nominal Voltage | VDC | 3.3 | 5 | 12 | 15 | ± 12 | ± 15 |
| | Maximum Current | A | 0.400 | 0.300 | 0.125 | 0.100 | 0.060 | 0.050 |
| | Maximum Power (*2) | W | 1.32 | | 1.5 | | | |
| | Maximum Line Regulation (Within input voltage range) | mV | 20 | | 40 | | 80 | |
| | Maximum Load Regulation (0-100% load) (*3) | mV | 40 | | 100 | | 600 | |
| | Temperature Coefficient (Ambient temperature-40°C to +50°C) | | 80mV | | 200mV | | 300mV | |
| | Max Power Total Regulation (max)(*4) | % | ± 3 | | | | ± 5 | |
| | Maximum Ripple & Noise (typ/max) (*5) | mVp-p | 40/120 | | 30/120 | | | |
| | Voltage Adjustable Range | VDC | 3.15-3.6 | 4.75-6.0 | 11.4-15.0 | | ± 11.4 ± 15.0 | |
| | Function | Over Current Protection (*6) | | Available | | | | |
| Over Voltage Protection | | | Not available | | | | | |
| Remote ON/OFF Control | | | Available | | | | | |
| Environment | Operating Temperature | °C | -40 to +85 | | | | | |
| | Storage Temperature | °C | -40 to +85 | | | | | |
| | Operating Humidity | % RH | 5-95 (the conditions of maximum 38°C in wet bulb temperature and non-condensation should be ensured.) | | | | | |
| | Storage Humidity | % RH | 5-95 (the conditions of maximum 38°C in wet bulb temperature and non-condensation should be ensured.) | | | | | |
| Isolation | Vibration | | 10-55Hz, 15 minutes sweep and 1.52mm total amplitude, 3 directions, 2h for each | | | | | |
| | Shock | | 980m/s ² (100G), 6ms, 6 directions, 3 times for each, in non-operation | | | | | |
| | Withstand Voltage | | Between input terminal and case, between input terminal and output terminal, and between output terminal and case: 500VAC (for 1 minute) | | | | | |
| Standards | Isolation Resistance | | Between input terminal and output terminal: 500VDC, 50MΩ min | | | | | |
| | Safety Standards | | UL60950-1, CSA C22.2 No.60950-1 (C-UL), EN60950-1 (NEMKO) | | | | | |
| Mechanical | Weight (typ) | g | 3.2 | | | | | |
| | Size (W x H x D) | mm | DIP: 16.51 x 8.5 x 16.6 / SMD: 16.51 x 8.8 x 16.6 | | | | | |

Note: "x" in model names is to be replaced by a symbol which represents the terminal configuration (F: DIP/R: SMD) for actual model names.

Note: With nominal input/output voltage, maximum output current, and Ta=25°C, if not specified separately.

Note: For 12V/±12V models, output voltage can be set to 15V/±15V by connecting the output adjustment terminal TRM to -Vout.

Note: For ± 12V model, output voltage can be set to 24V or 30V single output by making the COM terminal open.

(*1) With nominal input voltage, maximum output current, and Ta=25°C.

(*2) The maximum output power value is between -40°C and +50°C. For use in outside this temperature range, derating is needed.

(*3) In balanced load for dual outputs ("balanced load" means a condition where the +output and -output of load current are equal).

(*4) Output voltage includes input change, load change (balanced load), and temperature change.

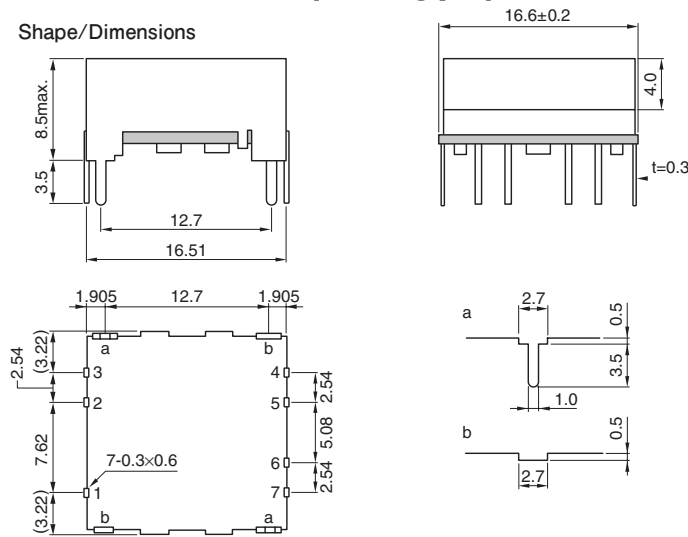
(*5) In 50MHz, Ta=25°C.

(*6) Output current restriction method. Automatically resumes when the causes are removed. Never operate the unit under output-shortened or overload conditions for over 30 seconds.

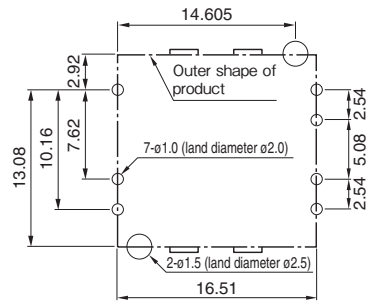
Outline Drawing

CC1R5-xxxxxF-E (DIP type)

Shape/Dimensions



Recommended measurements for mounting board

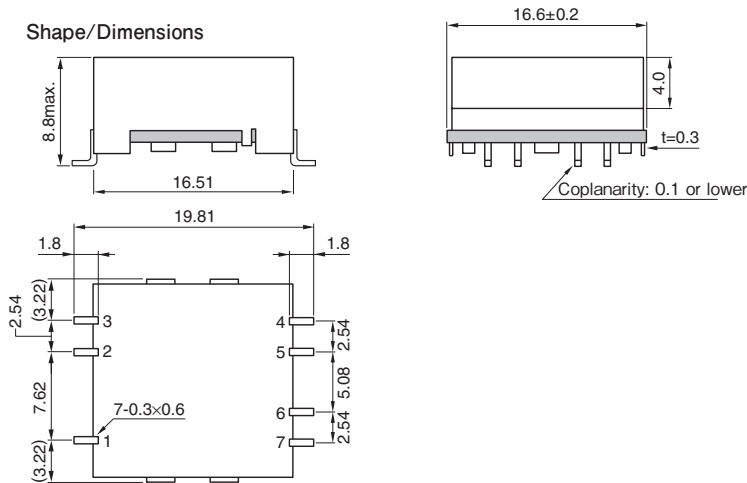


Unit: mm

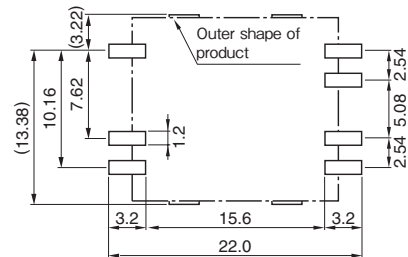
Allowable tolerance is ±0.5 if not specified separately.

CC1R5-xxxxxR-E (SMD type)

Shape/Dimensions



Recommended measurements for mounting board

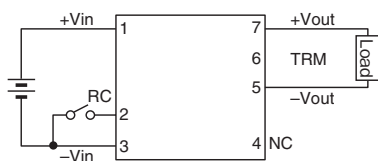


Unit: mm

Allowable tolerance is ±0.5 if not specified separately.

Connection diagram

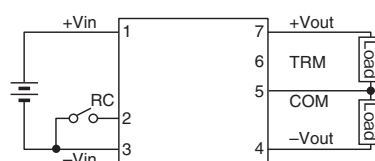
CC1R5-xxxxSx-E



Terminal connections

| | |
|------|-------|
| No.1 | +Vin |
| No.2 | RC |
| No.3 | -Vin |
| No.4 | NC |
| No.5 | -Vout |
| No.6 | TRM |
| No.7 | +Vout |

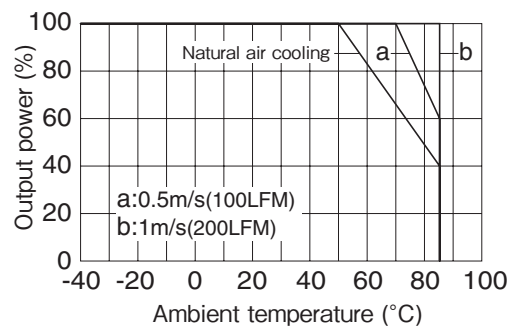
CC1R5-xxxxDx-E



Terminal connections

| | |
|------|------------|
| No.1 | +Vin |
| No.2 | RC |
| No.3 | -Vin |
| No.4 | -Vout |
| No.5 | Common out |
| No.6 | TRM |
| No.7 | +Vout |

Derating Curve



Output power derating by ambient temperature (common specification)

CC3-E Specifications

| ITEMS/UNITS | | MODEL | CC3-0503Sx-E | CC3-0505Sx-E | CC3-0512Sx-E | | CC3-0512Dx-E | |
|-------------|--|-------|--|--------------|---------------|-------|---------------|-------|
| Input | Nominal Voltage | V | DC5.0 | | | | | |
| | Voltage Range | V | DC4.5-9.0 | | | | | |
| | Efficiency (typ) (*1) | % | 73 | 77 | 82 | | 81 | |
| | Current (typ) (*1) | A | 0.723 | 0.779 | 0.732 | | 0.741 | |
| Output | Nominal Voltage | VDC | 3.3 | 5 | 12 | 15 | ± 12 | ± 15 |
| | Maximum Current | A | 0.800 | 0.600 | 0.250 | 0.200 | 0.125 | 0.100 |
| | Maximum Power (*2) | W | 2.64 | | 3 | | | |
| | Maximum Line Regulation (Within input voltage range) | mV | 20 | | 40 | | 80 | |
| | Maximum Load Regulation (0-100% load) (*3) | mV | 40 | | 100 | | 600 | |
| | Temperature Coefficient (Ambient temperature -40°C to +50°C) | | 80mV | | 200mV | | 300mV | |
| | Max Power Total Regulation (max)(*4) | % | | | ± 3 | | ± 5 | |
| | Maximum Ripple & Noise (typ/max) (*5) | mVp-p | 40/120 | | | | 30/120 | |
| Function | Voltage Adjustable Range | VDC | 3.15-3.6 | 4.75-6.0 | 11.4-15.0 | | ± 11.4 ± 15.0 | |
| | Over Current Protection (*6) | | | | Available | | | |
| | Over Voltage Protection | | | | Not available | | | |
| | Remote ON/OFF Control | | | | Available | | | |
| Environment | Operating Temperature | °C | | | -40 to +85 | | | |
| | Storage Temperature | °C | | | -40 to +85 | | | |
| | Operating Humidity | % RH | 5-95 (the conditions of maximum 38°C in wet bulb temperature and non-condensation should be ensured.) | | | | | |
| | Storage Humidity | % RH | 5-95 (the conditions of maximum 38°C in wet bulb temperature and non-condensation should be ensured.) | | | | | |
| | Vibration | | 10-55Hz, 15 minutes sweep and 1.52mm total amplitude, X/Y/Z 3 directions, 2h for each | | | | | |
| Isolation | Shock | | 980m/s ² (100G), 6ms, 6 directions, 3 times for each, in non-operation | | | | | |
| | Withstand Voltage | | Between input terminal and case, between input terminal and output terminal, and between output terminal and case: 500VAC (for 1 minute) | | | | | |
| Standards | Isolation Resistance | | Between input terminal and output terminal: 500VDC, 50MΩ min | | | | | |
| | Safety Standards | | UL60950-1, CSA C22.2 No.60950-1 (C-UL), EN60950-1 (NEMKO) | | | | | |
| Mechanical | Weight (typ) | g | 4.5 | | | | | |
| | Size (W x H x D) | mm | DIP: 22.86 x 8.5 x 16.6 / SMD: 22.86 x 8.8 x 16.6 | | | | | |

Note: "x" in model names is to be replaced by a symbol which represents the terminal configuration (F: DIP/R: SMD) for actual model names.

Note: With nominal input/output voltage, maximum output current, and Ta=25°C, if not specified separately.

Note: For 12V/±12V models, output voltage can be set to 15V/±15V by connecting the output adjustment terminal TRM to -Vout.

Note: For ±12V model, output voltage can be set to 24V or 30V single output by making the COM terminal open.

(*1) With nominal input voltage, maximum output current, and Ta=25°C.

(*2) The maximum output power value is between -40°C and +50°C. For use in outside this temperature range, derating is needed.

(*3) In balanced load for dual outputs ("balanced load" means a condition where the +output and -output of load current are equal).

(*4) Output voltage includes input change, load change (balanced load), and temperature change.

(*5) In 50MHz, Ta=25°C.

(*6) Output current restriction method. Automatically resumes when the causes are removed. Never operate the unit under output-shortened or overload conditions for over 30 seconds.

| ITEMS/UNITS | | MODEL | CC3-1203Sx-E | CC3-1205Sx-E | CC3-1212Sx-E | | CC3-1212Dx-E | |
|-------------|--|-------|--|--------------|---------------|-------|---------------|-------|
| Input | Nominal Voltage | V | DC12 | | | | | |
| | Voltage Range | V | DC9.0-18 | | | | | |
| | Efficiency (typ) (*1) | % | 74 | 79 | 82 | | 81 | |
| | Current (typ) (*1) | A | 0.297 | 0.316 | 0.305 | | 0.309 | |
| Output | Nominal Voltage | VDC | 3.3 | 5 | 12 | 15 | ± 12 | ± 15 |
| | Maximum Current | A | 0.800 | 0.600 | 0.250 | 0.200 | 0.125 | 0.100 |
| | Maximum Power (*2) | W | 2.64 | | 3 | | | |
| | Maximum Line Regulation (Within input voltage range) | mV | 20 | | 40 | | 80 | |
| | Maximum Load Regulation (0-100% load) (*3) | mV | 40 | | 100 | | 600 | |
| | Temperature Coefficient (Ambient temperature -40°C to +50°C) | | 80mV | | 200mV | | 300mV | |
| | Max Power Total Regulation (max)(*4) | % | | | ± 3 | | ± 5 | |
| | Maximum Ripple & Noise (typ/max) (*5) | mVp-p | 40/120 | | | | 30/120 | |
| Function | Voltage Adjustable Range | VDC | 3.15-3.6 | 4.75-6.0 | 11.4-15.0 | | ± 11.4 ± 15.0 | |
| | Over Current Protection (*6) | | | | Available | | | |
| | Over Voltage Protection | | | | Not available | | | |
| | Remote ON/OFF Control | | | | Available | | | |
| Environment | Operating Temperature | °C | | | -40 to +85 | | | |
| | Storage Temperature | °C | | | -40 to +85 | | | |
| | Operating Humidity | % RH | 5-95 (the conditions of maximum 38°C in wet bulb temperature and non-condensation should be ensured.) | | | | | |
| | Storage Humidity | % RH | 5-95 (the conditions of maximum 38°C in wet bulb temperature and non-condensation should be ensured.) | | | | | |
| | Vibration | | 10-55Hz, 15 minutes sweep and 1.52mm total amplitude, X/Y/Z 3 directions, 2h for each | | | | | |
| Isolation | Shock | | 980m/s ² (100G), 6ms, 6 directions, 3 times for each, in non-operation | | | | | |
| | Withstand Voltage | | Between input terminal and case, between input terminal and output terminal, and between output terminal and case: 500VAC (for 1 minute) | | | | | |
| Standards | Isolation Resistance | | Between input terminal and output terminal: 500VDC, 50MΩ min | | | | | |
| | Safety Standards | | UL60950-1, CSA C22.2 No.60950-1 (C-UL), EN60950-1 (NEMKO) | | | | | |
| Mechanical | Weight (typ) | g | 4.5 | | | | | |
| | Size (W x H x D) | mm | DIP: 22.86 x 8.5 x 16.6 / SMD: 22.86 x 8.8 x 16.6 | | | | | |

Note: "x" in model names is to be replaced by a symbol which represents the terminal configuration (F: DIP/R: SMD) for actual model names.

Note: With nominal input/output voltage, maximum output current, and Ta=25°C, if not specified separately.

Note: For 12V/±12V models, output voltage can be set to 15V/±15V by connecting the output adjustment terminal TRM to -Vout.

Note: For ±12V model, output voltage can be set to 24V or 30V single output by making the COM terminal open.

(*1) With nominal input voltage, maximum output current, and Ta=25°C.

(*2) The maximum output power value is between -40°C and +50°C. For use in outside this temperature range, derating is needed.

(*3) In balanced load for dual outputs ("balanced load" means a condition where the +output and -output of load current are equal).

(*4) Output voltage includes input change, load change (balanced load), and temperature change.

(*5) In 50MHz, Ta=25°C.

(*6) Output current restriction method. Automatically resumes when the causes are removed. Never operate the unit under output-shortened or overload conditions for over 30 seconds.

| ITEMS/UNITS | | MODEL | CC3-2403Sx-E | CC3-2405Sx-E | CC3-2412Sx-E | | CC3-2412Dx-E | |
|-------------|--|-------|--|--------------|--------------|-------|---------------|-------|
| Input | Nominal Voltage | V | DC24 | | | | | |
| | Voltage Range | V | DC18-36 | | | | | |
| | Efficiency (typ) (*1) | % | 73 | 78 | 82 | | 81 | |
| | Current (typ) (*1) | A | 0.151 | 0.160 | 0.152 | | 0.154 | |
| Output | Nominal Voltage | VDC | 3.3 | 5 | 12 | 15 | ± 12 | ± 15 |
| | Maximum Current | A | 0.800 | 0.600 | 0.250 | 0.200 | 0.125 | 0.100 |
| | Maximum Power (*2) | W | 2.64 | | 3 | | | |
| | Maximum Line Regulation (Within input voltage range) | mV | 20 | | 40 | | 80 | |
| | Maximum Load Regulation (0-100% load) (*3) | mV | 40 | | 100 | | 600 | |
| | Temperature Coefficient (Ambient temperature -40°C to +50°C) | | 80mV | | 200mV | | 300mV | |
| | Max Power Total Regulation (max)(*4) | % | | | ± 3 | | ± 5 | |
| | Maximum Ripple & Noise (typ/max) (*5) | mVp-p | 40/120 | | | | 30/120 | |
| Function | Voltage Adjustable Range | VDC | 3.15-3.6 | 4.75-6.0 | 11.4-15.0 | | ± 11.4 ± 15.0 | |
| | Over Current Protection (*6) | | Available | | | | | |
| | Over Voltage Protection | | Not available | | | | | |
| | Remote ON/OFF Control | | Available | | | | | |
| Environment | Operating Temperature | °C | -40 to +85 | | | | | |
| | Storage Temperature | °C | -40 to +85 | | | | | |
| | Operating Humidity | % RH | 5-95 (the conditions of maximum 38°C in wet bulb temperature and non-condensation should be ensured.) | | | | | |
| | Storage Humidity | % RH | 5-95 (the conditions of maximum 38°C in wet bulb temperature and non-condensation should be ensured.) | | | | | |
| | Vibration | | 10-55Hz, 15 minutes sweep and 1.52mm total amplitude, X/Y/Z 3 directions, 2h for each | | | | | |
| Isolation | Shock | | 980m/s ² (100G), 6ms, 6 directions, 3 times for each, in non-operation | | | | | |
| | Withstand Voltage | | Between input terminal and case, between input terminal and output terminal, and between output terminal and case: 500VAC (for 1 minute) | | | | | |
| Standards | Isolation Resistance | | Between input terminal and output terminal: 500VDC, 50MΩ min | | | | | |
| | Safety Standards | | UL60950-1, CSA C22.2 No.60950-1 (C-UL), EN60950-1 (NEMKO) | | | | | |
| Mechanical | Weight (typ) | g | 4.5 | | | | | |
| | Size (W x H x D) | mm | DIP: 22.86 x 8.5 x 16.6 / SMD: 22.86 x 8.8 x 16.6 | | | | | |

Note: "x" in model names is to be replaced by a symbol which represents the terminal configuration (F: DIP/R: SMD) for actual model names.

Note: With nominal input/output voltage, maximum output current, and Ta=25°C, if not specified separately.

Note: For 12V/±12V models, output voltage can be set to 15V/±15V by connecting the output adjustment terminal TRM to -Vout.

Note: For ±12V model, output voltage can be set to 24V or 30V single output by making the COM terminal open.

(*1) With nominal input voltage, maximum output current, and Ta=25°C.

(*2) The maximum output power value is between -40°C and +50°C. For use in outside this temperature range, derating is needed.

(*3) In balanced load for dual outputs ("balanced load" means a condition where the +output and -output of load current are equal).

(*4) Output voltage includes input change, load change (balanced load), and temperature change.

(*5) In 50MHz, Ta=25°C.

(*6) Output current restriction method. Automatically resumes when the causes are removed. Never operate the unit under output-shortened or overload conditions for over 30 seconds.

| ITEMS/UNITS | | MODEL | CC3-4803Sx-E | CC3-4805Sx-E | CC3-4812Sx-E | | CC3-4812Dx-E | |
|-------------|--|-------|--|--------------|--------------|-------|---------------|-------|
| Input | Nominal Voltage | V | DC48 | | | | | |
| | Voltage Range | V | DC36-76 | | | | | |
| | Efficiency (typ) (*1) | % | 73 | 79 | 81 | | 80 | |
| | Current (typ) (*1) | A | 0.075 | 0.079 | 0.077 | | 0.078 | |
| Output | Nominal Voltage | VDC | 3.3 | 5 | 12 | 15 | ± 12 | ± 15 |
| | Maximum Current | A | 0.800 | 0.600 | 0.250 | 0.200 | 0.125 | 0.100 |
| | Maximum Power (*2) | W | 2.64 | | 3 | | | |
| | Maximum Line Regulation (Within input voltage range) | mV | 20 | | 40 | | 80 | |
| | Maximum Load Regulation (0-100% load) (*3) | mV | 40 | | 100 | | 600 | |
| | Temperature Coefficient (Ambient temperature -40°C to +50°C) | | 80mV | | 200mV | | 300mV | |
| | Max Power Total Regulation (max)(*4) | % | | | ± 3 | | ± 5 | |
| | Maximum Ripple & Noise (typ/max) (*5) | mVp-p | 40/120 | | | | 30/120 | |
| Function | Voltage Adjustable Range | VDC | 3.15-3.6 | 4.75-6.0 | 11.4-15.0 | | ± 11.4 ± 15.0 | |
| | Over Current Protection (*6) | | Available | | | | | |
| | Over Voltage Protection | | Not available | | | | | |
| | Remote ON/OFF Control | | Available | | | | | |
| Environment | Operating Temperature | °C | -40 to +85 | | | | | |
| | Storage Temperature | °C | -40 to +85 | | | | | |
| | Operating Humidity | % RH | 5-95 (the conditions of maximum 38°C in wet bulb temperature and non-condensation should be ensured.) | | | | | |
| | Storage Humidity | % RH | 5-95 (the conditions of maximum 38°C in wet bulb temperature and non-condensation should be ensured.) | | | | | |
| | Vibration | | 10-55Hz, 15 minutes sweep and 1.52mm total amplitude, X/Y/Z 3 directions, 2h for each | | | | | |
| Isolation | Shock | | 980m/s ² (100G), 6ms, 6 directions, 3 times for each, in non-operation | | | | | |
| | Withstand Voltage | | Between input terminal and case, between input terminal and output terminal, and between output terminal and case: 500VAC (for 1 minute) | | | | | |
| Standards | Isolation Resistance | | Between input terminal and output terminal: 500VDC, 50MΩ min | | | | | |
| | Safety Standards | | UL60950-1, CSA C22.2 No.60950-1 (C-UL), EN60950-1 (NEMKO) | | | | | |
| Mechanical | Weight (typ) | g | 4.5 | | | | | |
| | Size (W x H x D) | mm | DIP: 22.86 x 8.5 x 16.6 / SMD: 22.86 x 8.8 x 16.6 | | | | | |

Note: "x" in model names is to be replaced by a symbol which represents the terminal configuration (F: DIP/R: SMD) for actual model names.

Note: With nominal input/output voltage, maximum output current, and Ta=25°C, if not specified separately.

Note: For 12V/±12V models, output voltage can be set to 15V/±15V by connecting the output adjustment terminal TRM to -Vout.

Note: For ±12V model, output voltage can be set to 24V or 30V single output by making the COM terminal open.

(*1) With nominal input voltage, maximum output current, and Ta=25°C.

(*2) The maximum output power value is between -40°C and +50°C. For use in outside this temperature range, derating is needed.

(*3) In balanced load for dual outputs ("balanced load" means a condition where the +output and -output of load current are equal).

(*4) Output voltage includes input change, load change (balanced load), and temperature change.

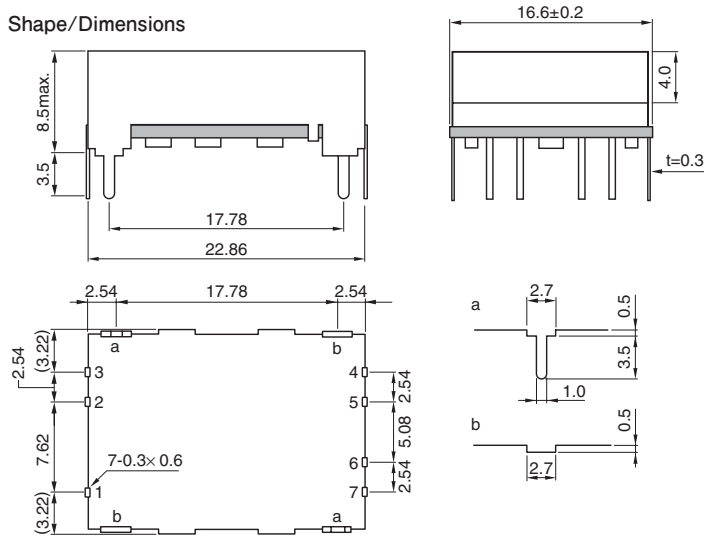
(*5) In 50MHz, Ta=25°C.

(*6) Output current restriction method. Automatically resumes when the causes are removed. Never operate the unit under output-shortened or overload conditions for over 30 seconds.

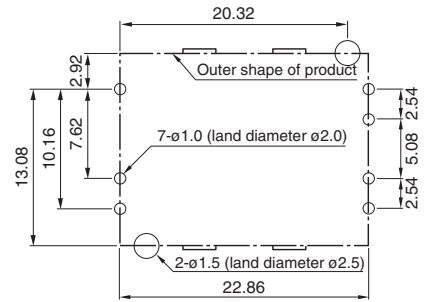
Outline Drawing

CC3-xxxxF-E (DIP type)

Shape/Dimensions



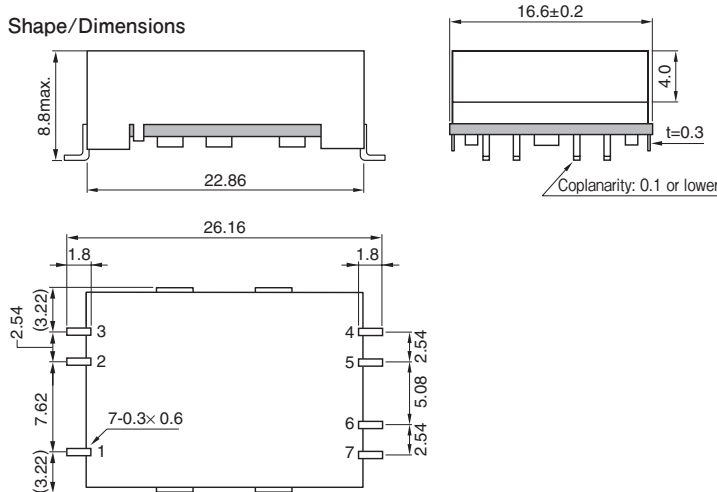
Recommended measurements for mounting board



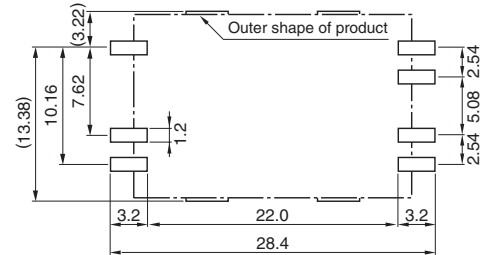
Unit: mm
Allowable tolerance is ±0.5 if not specified separately.

CC3-xxxxR-E (SMD type)

Shape/Dimensions



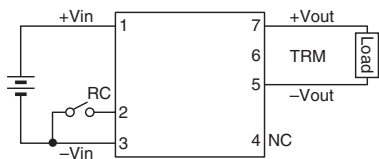
Recommended measurements for mounting board



Unit: mm
Allowable tolerance is ±0.5 if not specified separately.

Connection diagram

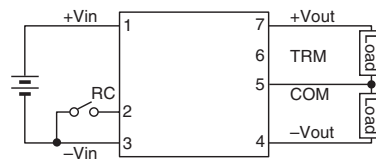
CC3-xxxxSx-E



Terminal connections

| | |
|------|-------|
| No.1 | +Vin |
| No.2 | RC |
| No.3 | -Vin |
| No.4 | NC |
| No.5 | -Vout |
| No.6 | TRM |
| No.7 | +Vout |

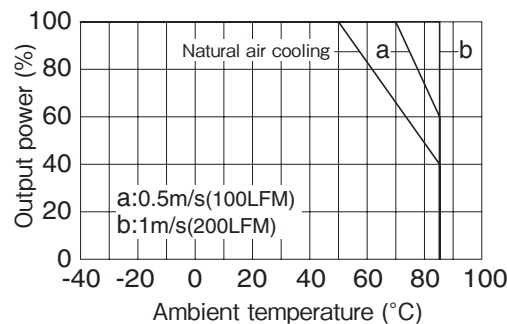
CC3-xxxxDx-E



Terminal connections

| | |
|------|------------|
| No.1 | +Vin |
| No.2 | RC |
| No.3 | -Vin |
| No.4 | -Vout |
| No.5 | Common out |
| No.6 | TRM |
| No.7 | +Vout |

Derating Curve



Output power derating by ambient temperature (common specification)

CC3-E Specifications

| ITEMS/UNITS | | MODEL | CC3-0503SS-E | CC3-0505SS-E | CC3-0512SS-E | | CC3-0512DS-E | |
|-------------|--|-------|--|--------------|--------------|-------|---------------|-------|
| Input | Nominal Voltage | V | DC5.0 | | | | | |
| | Voltage Range | V | DC4.5-9.0 | | | | | |
| | Efficiency (typ) (*1) | % | 73 | 77 | 82 | | 81 | |
| | Current (typ) (*1) | A | 0.723 | 0.779 | 0.732 | | 0.741 | |
| Output | Nominal Voltage | VDC | 3.3 | 5 | 12 | 15 | ± 12 | ± 15 |
| | Maximum Current | A | 0.800 | 0.600 | 0.250 | 0.200 | 0.125 | 0.100 |
| | Maximum Power (*2) | W | 2.64 | | 3 | | | |
| | Maximum Line Regulation (Within input voltage range) | mV | 20 | | 40 | | 80 | |
| | Maximum Load Regulation (0-100% load) (*3) | mV | 40 | | 100 | | 600 | |
| | Temperature Coefficient (Ambient temperature -40°C to +50°C) | | 80mV | | 200mV | | 300mV | |
| | Max Power Total Regulation (max)(*4) | % | | | ± 3 | | ± 5 | |
| | Maximum Ripple & Noise (typ/max) (*5) | mVp-p | 40/120 | | 30/120 | | | |
| Function | Voltage Adjustable Range | VDC | 3.15-3.67 | 4.75-6.0 | 11.4-15.0 | | ± 11.4 ± 15.0 | |
| | Over Current Protection (*6) | | Available | | | | | |
| | Over Voltage Protection | | Not available | | | | | |
| | Remote ON/OFF Control | | Available | | | | | |
| Environment | Operating Temperature | °C | -40 to +85 | | | | | |
| | Storage Temperature | °C | -40 to +85 | | | | | |
| | Operating Humidity | % RH | 5-95 (the conditions of maximum 38°C in wet bulb temperature and non-condensation should be ensured.) | | | | | |
| | Storage Humidity | % RH | 5-95 (the conditions of maximum 38°C in wet bulb temperature and non-condensation should be ensured.) | | | | | |
| | Vibration | | 10-55Hz, 15 minutes sweep and 1.52mm total amplitude, 3 directions, 2h for each | | | | | |
| Isolation | Shock | | 980m/s ² (100G), 6ms, 6 directions, 3 times for each, in non-operation | | | | | |
| | Withstand Voltage | | Between input terminal and case, between input terminal and output terminal, and between output terminal and case: 500VAC (for 1 minute) | | | | | |
| Standards | Isolation Resistance | | Between input terminal and output terminal: 500VDC, 50MΩ min | | | | | |
| | Safety Standards | | UL60950-1, CSA C22.2 No.60950-1 (C-UL), EN60950-1 (NEMKO) | | | | | |
| Mechanical | Weight (typ) | g | 7 | | | | | |
| | Size (W x H x D) | mm | 27.8 x 17.9 x 9.2 | | | | | |

Note: With nominal input/output voltage, maximum output current, and Ta=25°C, if not specified separately.
 Note: For 12V/±12V models, output voltage can be set to 15V/±15V by connecting the output adjustment terminal TRM to -Vout.
 Note: For ± 12V model, output voltage can be set to 24V or 30V single output by making the COM terminal open.

- (*1) With nominal input voltage, maximum output current, and Ta=25°C.
- (*2) The maximum output power value is between -40°C and +50°C. For use in outside this temperature range, derating is needed.
- (*3) In balanced load for dual outputs ("balanced load" means a condition where the +output and -output of load current are equal).
- (*4) Output voltage includes input change, load change (balanced load), and temperature change.
- (*5) In 50MHz, Ta=25°C.
- (*6) Output current restriction method. Automatically resumes when the causes are removed. Never operate the unit under output-shortened or overload conditions for over 30 seconds.

| ITEMS/UNITS | | MODEL | CC3-1205SS-E | CC3-1212SS-E | | CC3-1212DS-E | |
|-------------|--|-------|--|--------------|-------|---------------|-------|
| Input | Nominal Voltage | V | DC12 | | | | |
| | Voltage Range | V | DC9.0-18 | | | | |
| | Efficiency (typ) (*1) | % | 79 | 82 | | | |
| | Current (typ) (*1) | A | 0.316 | 0.305 | | | |
| Output | Nominal Voltage | VDC | 5 | 12 | 15 | ± 12 | ± 15 |
| | Maximum Current | A | 0.600 | 0.250 | 0.200 | 0.125 | 0.100 |
| | Maximum Power (*2) | W | 3 | | | | |
| | Maximum Line Regulation (Within input voltage range) | mV | 20 | 40 | | 80 | |
| | Maximum Load Regulation (0-100% load) (*3) | mV | 40 | 100 | | 600 | |
| | Temperature Coefficient (Ambient temperature -40°C to +50°C) | | 80mV | 200mV | | 300mV | |
| | Max Power Total Regulation (max)(*4) | % | | | ± 3 | | ± 5 |
| | Maximum Ripple & Noise (typ/max) (*5) | mVp-p | 40/120 | 30/120 | | | |
| Function | Voltage Adjustable Range | VDC | 4.75-6.0 | 11.4-15.0 | | ± 11.4 ± 15.0 | |
| | Over Current Protection (*6) | | Available | | | | |
| | Over Voltage Protection | | Not available | | | | |
| | Remote ON/OFF Control | | Available | | | | |
| Environment | Operating Temperature | °C | -40 to +85 | | | | |
| | Storage Temperature | °C | -40 to +85 | | | | |
| | Operating Humidity | % RH | 5-95 (the conditions of maximum 38°C in wet bulb temperature and non-condensation should be ensured.) | | | | |
| | Storage Humidity | % RH | 5-95 (the conditions of maximum 38°C in wet bulb temperature and non-condensation should be ensured.) | | | | |
| | Vibration | | 10-55Hz, 15 minutes sweep and 1.52mm total amplitude, 3 directions, 2h for each | | | | |
| Isolation | Shock | | 980m/s ² (100G), 6ms, 6 directions, 3 times for each, in non-operation | | | | |
| | Withstand Voltage | | Between input terminal and case, between input terminal and output terminal, and between output terminal and case: 500VAC (for 1 minute) | | | | |
| Standards | Isolation Resistance | | Between input terminal and output terminal: 500VDC, 50MΩ min | | | | |
| | Safety Standards | | UL60950-1, CSA C22.2 No.60950-1 (C-UL), EN60950-1 (NEMKO) | | | | |
| Mechanical | Weight (typ) | g | 7 | | | | |
| | Size (W x H x D) | mm | 27.8 x 17.9 x 9.2 | | | | |

Note: With nominal input/output voltage, maximum output current, and Ta=25°C, if not specified separately.
 Note: For 12V/±12V models, output voltage can be set to 15V/±15V by connecting the output adjustment terminal TRM to -Vout.
 Note: For ± 12V model, output voltage can be set to 24V or 30V single output by making the COM terminal open.

- (*1) With nominal input voltage, maximum output current, and Ta=25°C.
- (*2) The maximum output power value is between -40°C and +50°C. For use in outside this temperature range, derating is needed.
- (*3) In balanced load for dual outputs ("balanced load" means a condition where the +output and -output of load current are equal).
- (*4) Output voltage includes input change, load change (balanced load), and temperature change.
- (*5) In 50MHz, Ta=25°C.
- (*6) Output current restriction method. Automatically resumes when the causes are removed. Never operate the unit under output-shortened or overload conditions for over 30 seconds.

| ITEMS/UNITS | | MODEL | CC3-2403SS-E | CC3-2405SS-E | CC3-2412SS-E | | CC3-2412DS-E | | |
|-------------------------|--|------------------------------|--|--------------|--------------|-------|----------------|-------|--|
| Input | Nominal Voltage | V | DC24 | | | | | | |
| | Voltage Range | V | DC18-36 | | | | | | |
| | Efficiency (typ) (*1) | % | 73 | 78 | 82 | | 81 | | |
| | Current (typ) (*1) | A | 0.151 | 0.160 | 0.152 | | 0.154 | | |
| Output | Nominal Voltage | VDC | 3.3 | 5 | 12 | 15 | ± 12 | ± 15 | |
| | Maximum Current | A | 0.800 | 0.600 | 0.250 | 0.200 | 0.125 | 0.100 | |
| | Maximum Power (*2) | W | 2.64 | | 3 | | | | |
| | Maximum Line Regulation (Within input voltage range) | mV | 20 | | 40 | | 80 | | |
| | Maximum Load Regulation (0-100% load) (*3) | mV | 40 | | 100 | | 600 | | |
| | Temperature Coefficient (Ambient temperature -40°C to +50°C) | | 80mV | | 200mV | | 300mV | | |
| | Max Power Total Regulation (max)(*4) | % | ± 3 | | | | | ± 5 | |
| | Maximum Ripple & Noise (typ/max) (*5) | mVp-p | 40/120 | | 30/120 | | | | |
| | Voltage Adjustable Range | VDC | 3.15-3.67 | 4.75-6.0 | 11.4-15.0 | | ± 11.4- ± 15.0 | | |
| | Function | Over Current Protection (*6) | | Available | | | | | |
| Over Voltage Protection | | | Not available | | | | | | |
| Remote ON/OFF Control | | | Available | | | | | | |
| Environment | Operating Temperature | °C | -40 to +85 | | | | | | |
| | Storage Temperature | °C | -40 to +85 | | | | | | |
| | Operating Humidity | % RH | 5-95 (the conditions of maximum 38°C in wet bulb temperature and non-condensation should be ensured.) | | | | | | |
| | Storage Humidity | % RH | 5-95 (the conditions of maximum 38°C in wet bulb temperature and non-condensation should be ensured.) | | | | | | |
| | Vibration | | 10-55Hz, 15 minutes sweep and 1.52mm total amplitude, 3 directions, 2h for each | | | | | | |
| Isolation | Shock | | 980m/s ² (100G), 6ms, 6 directions, 3 times for each, in non-operation | | | | | | |
| | Withstand Voltage | | Between input terminal and case, between input terminal and output terminal, and between output terminal and case: 500VAC (for 1 minute) | | | | | | |
| Standards | Isolation Resistance | | Between input terminal and output terminal: 500VDC, 50MΩ min | | | | | | |
| | Safety Standards | | UL60950-1, CSA C22.2 No.60950-1 (C-UL), EN60950-1 (NEMKO) | | | | | | |
| Mechanical | Weight (typ) | g | 7 | | | | | | |
| | Size (W x H x D) | mm | 27.8 x 17.9 x 9.2 | | | | | | |

Note: With nominal input/output voltage, maximum output current, and Ta=25°C, if not specified separately.
 Note: For 12V/±12V models, output voltage can be set to 15V/±15V by connecting the output adjustment terminal TRM to -Vout.
 Note: For ± 12V model, output voltage can be set to 24V or 30V single output by making the COM terminal open.

- (*1) With nominal input voltage, maximum output current, and Ta=25°C.
- (*2) The maximum output power value is between -40°C and +50°C. For use in outside this temperature range, derating is needed.
- (*3) In balanced load for dual outputs ("balanced load" means a condition where the +output and -output of load current are equal).
- (*4) Output voltage includes input change, load change (balanced load), and temperature change.
- (*5) In 50MHz, Ta=25°C.
- (*6) Output current restriction method. Automatically resumes when the causes are removed. Never operate the unit under output-shortened or overload conditions for over 30 seconds.

| ITEMS/UNITS | | MODEL | CC3-4803SS-E | CC3-4805SS-E | CC3-4812DS-E | |
|-------------------------|--|------------------------------|--|--------------|----------------|-------|
| Input | Nominal Voltage | V | DC48 | | | |
| | Voltage Range | V | DC36-76 | | | |
| | Efficiency (typ) (*1) | % | 73 | 79 | 82 | |
| | Current (typ) (*1) | A | 0.075 | 0.079 | 0.076 | |
| Output | Nominal Voltage | VDC | 3.3 | 5 | ± 12 | ± 15 |
| | Maximum Current | A | 0.800 | 0.600 | 0.125 | 0.100 |
| | Maximum Power (*2) | W | 2.64 | | 3 | |
| | Maximum Line Regulation (Within input voltage range) | mV | 20 | | 80 | |
| | Maximum Load Regulation (0-100% load) (*3) | mV | 40 | | 600 | |
| | Temperature Coefficient (Ambient temperature -40°C to +50°C) | | 80mV | | 300mV | |
| | Max Power Total Regulation (max)(*4) | % | ± 3 | | | |
| | Maximum Ripple & Noise (typ/max) (*5) | mVp-p | 40/120 | | 30/120 | |
| | Voltage Adjustable Range | VDC | 3.15-3.6 | 4.75-6.0 | ± 11.4- ± 15.0 | |
| | Function | Over Current Protection (*6) | | Available | | |
| Over Voltage Protection | | | Not available | | | |
| Remote ON/OFF Control | | | Available | | | |
| Environment | Operating Temperature | °C | -40 to +85 | | | |
| | Storage Temperature | °C | -40 to +85 | | | |
| | Operating Humidity | % RH | 5-95 (the conditions of maximum 38°C in wet bulb temperature and non-condensation should be ensured.) | | | |
| | Storage Humidity | % RH | 5-95 (the conditions of maximum 38°C in wet bulb temperature and non-condensation should be ensured.) | | | |
| | Vibration | | 10-55Hz, 15 minutes sweep and 1.52mm total amplitude, 3 directions, 2h for each | | | |
| Isolation | Shock | | 980m/s ² (100G), 6ms, 6 directions, 3 times for each, in non-operation | | | |
| | Withstand Voltage | | Between input terminal and case, between input terminal and output terminal, and between output terminal and case: 500VAC (for 1 minute) | | | |
| Standards | Isolation Resistance | | Between input terminal and output terminal: 500VDC, 50MΩ min | | | |
| | Safety Standards | | UL60950-1, CSA C22.2 No.60950-1 (C-UL), EN60950-1 (NEMKO) | | | |
| Mechanical | Weight (typ) | g | 7 | | | |
| | Size (W x H x D) | mm | 27.8 x 17.9 x 9.2 | | | |

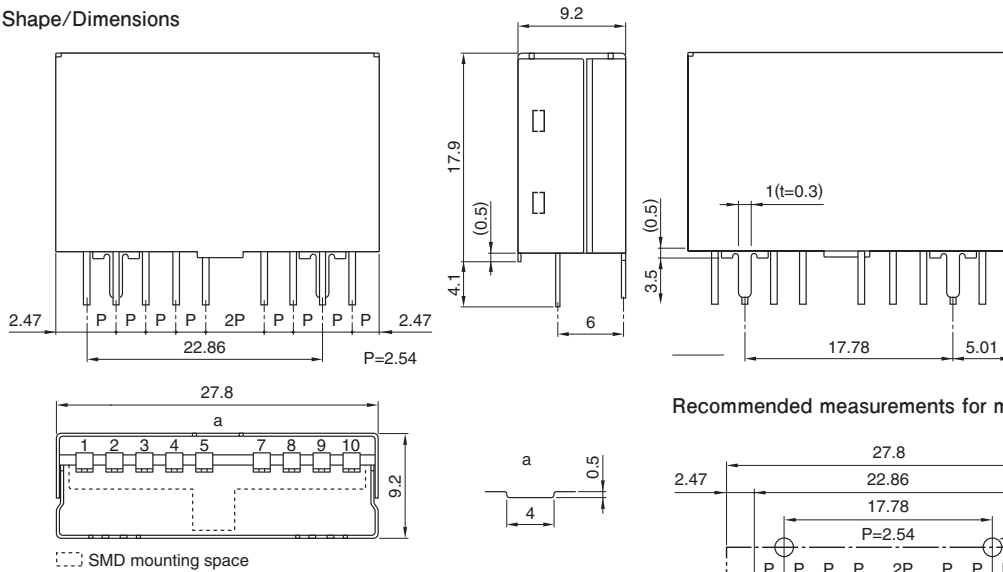
Note: With nominal input/output voltage, maximum output current, and Ta=25°C, if not specified separately.
 Note: For 12V/±12V models, output voltage can be set to 15V/±15V by connecting the output adjustment terminal TRM to -Vout.
 Note: For ± 12V model, output voltage can be set to 24V or 30V single output by making the COM terminal open.

- (*1) With nominal input voltage, maximum output current, and Ta=25°C.
- (*2) The maximum output power value is between -40°C and +50°C. For use in outside this temperature range, derating is needed.
- (*3) In balanced load for dual outputs ("balanced load" means a condition where the +output and -output of load current are equal).
- (*4) Output voltage includes input change, load change (balanced load), and temperature change.
- (*5) In 50MHz, Ta=25°C.
- (*6) Output current restriction method. Automatically resumes when the causes are removed. Never operate the unit under output-shortened or overload conditions for over 30 seconds.

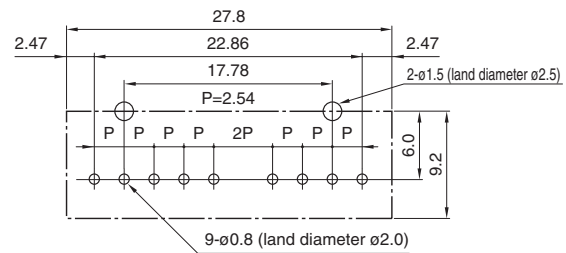
Outline Drawing

CC3-xxxxS-E (SIP type)

Shape/Dimensions



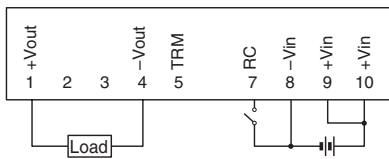
Recommended measurements for mounting board



Unit: mm
Allowable tolerance is ±0.5 if not specified separately.

Connection diagram

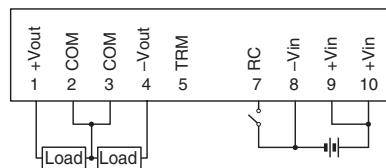
CC3-xxxxSS-E



Terminal connections

| | |
|-------|-------|
| No.1 | +Vout |
| No.2 | NC |
| No.3 | NC |
| No.4 | -Vout |
| No.5 | TRM |
| No.6 | NC |
| No.7 | RC |
| No.8 | -Vin |
| No.9 | +Vin |
| No.10 | +Vin |

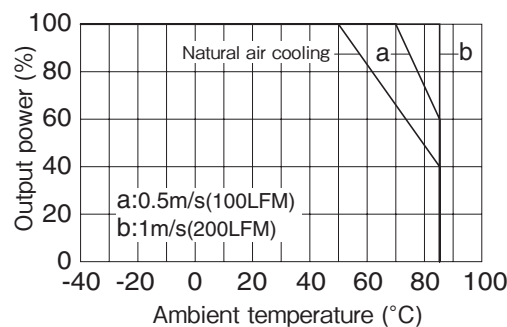
CC3-xxxxDS-E



Terminal connections

| | |
|-------|-------|
| No.1 | +Vout |
| No.2 | COM |
| No.3 | COM |
| No.4 | -Vout |
| No.5 | TRM |
| No.6 | NC |
| No.7 | RC |
| No.8 | -Vin |
| No.9 | +Vin |
| No.10 | +Vin |

Derating Curve



Output power derating by ambient temperature (common specification)

CC6-E Specifications

| ITEMS/UNITS | | MODEL | CC6-0503Sx-E | CC6-0505Sx-E | CC6-0512Sx-E | | CC6-0512Dx-E | |
|-------------------------|--|------------------------------|--|--------------|--------------|-------|---------------|-------|
| Input | Nominal Voltage | V | DC5.0 | | | | | |
| | Voltage Range | V | DC4.5-9.0 | | | | | |
| | Efficiency (typ) (*1) | % | 76 | 79 | 82 | | | |
| | Current (typ) (*1) | A | 1.042 | 1.266 | 1.463 | | | |
| Output | Nominal Voltage | VDC | 3.3 | 5 | 12 | 15 | ± 12 | ± 15 |
| | Maximum Current | A | 1.200 | 1.000 | 0.500 | 0.400 | 0.250 | 0.200 |
| | Maximum Power (*2) | W | 3.96 | 5 | 6 | | | |
| | Maximum Line Regulation (Within input voltage range) | mV | 20 | | 40 | | 80 | |
| | Maximum Load Regulation (0-100% load) (*3) | mV | 40 | | 100 | | 600 | |
| | Temperature Coefficient (Ambient temperature -40°C to +50°C) | | 80mV | | 200mV | | 300mV | |
| | Max Power Total Regulation (max) (*4) | % | ± 3 | | | | ± 5 | |
| | Maximum Ripple & Noise (typ/max) (*5) | mVp-p | 40/120 | | 30/120 | | | |
| | Voltage Adjustable Range | VDC | 3.15-3.6 | 4.75-6.0 | 11.4-15.0 | | ± 11.4 ± 15.0 | |
| | Function | Over Current Protection (*6) | | Available | | | | |
| Over Voltage Protection | | | Not available | | | | | |
| Remote ON/OFF Control | | | Available | | | | | |
| Environment | Operating Temperature | °C | -40 to +85 | | | | | |
| | Storage Temperature | °C | -40 to +85 | | | | | |
| | Operating Humidity | % RH | 5-95 (the conditions of maximum 38°C in wet bulb temperature and non-condensation should be ensured.) | | | | | |
| | Storage Humidity | % RH | 5-95 (the conditions of maximum 38°C in wet bulb temperature and non-condensation should be ensured.) | | | | | |
| Isolation | Vibration | | 10-55Hz, 15 minutes sweep and 1.52mm total amplitude, 3 directions, 2h for each | | | | | |
| | Shock | | 980m/s ² (100G), 6ms, 6 directions, 3 times for each, in non-operation | | | | | |
| | Withstand Voltage | | Between input terminal and case, between input terminal and output terminal, and between output terminal and case: 500VAC (for 1 minute) | | | | | |
| Standards | Isolation Resistance | | Between input terminal and output terminal: 500VDC, 50MΩ min | | | | | |
| | Safety Standards | | UL60950-1, CSA C22.2 No.60950-1 (C-UL), EN60950-1 (NEMKO) | | | | | |
| Mechanical | Weight (typ) | g | 5.8 | | | | | |
| | Size (W x H x D) | mm | DIP: 22.86 x 8.5 x 21.1 / SMD: 22.86 x 8.8 x 21.1 | | | | | |

Note: "x" in model names is to be replaced by a symbol which represents the terminal configuration (F: DIP/R: SMD) for actual model names.

Note: With nominal input/output voltage, maximum output current, and Ta=25°C, if not specified separately.

Note: For 12V/±12V models, output voltage can be set to 15V/±15V by connecting the output adjustment terminal TRM to -Vout.

Note: For ± 12V model, output voltage can be set to 24V or 30V single output by making the COM terminal open.

(*1) With nominal input voltage, maximum output current, and Ta=25°C.

(*2) The maximum output power value is between -40°C and +50°C. For use in outside this temperature range, derating is needed.

(*3) In balanced load for dual outputs ("balanced load" means a condition where the +output and -output of load current are equal).

(*4) Output voltage includes input change, load change (balanced load), and temperature change.

(*5) In 50MHz, Ta=25°C.

(*6) Output current restriction method. Automatically resumes when the causes are removed. Never operate the unit under output-shortened or overload conditions for over 30 seconds.

| ITEMS/UNITS | | MODEL | CC6-1203Sx-E | CC6-1205Sx-E | CC6-1212Sx-E | | CC6-1212Dx-E | |
|-------------------------|--|------------------------------|--|--------------|--------------|-------|---------------|-------|
| Input | Nominal Voltage | V | DC12 | | | | | |
| | Voltage Range | V | DC9.0-18 | | | | | |
| | Efficiency (typ) (*1) | % | 78 | 82 | 85 | | | |
| | Current (typ) (*1) | A | 0.423 | 0.610 | 0.588 | | | |
| Output | Nominal Voltage | VDC | 3.3 | 5 | 12 | 15 | ± 12 | ± 15 |
| | Maximum Current | A | 1.200 | 1.000 | 0.500 | 0.400 | 0.250 | 0.200 |
| | Maximum Power (*2) | W | 3.96 | 5 | 6 | | | |
| | Maximum Line Regulation (Within input voltage range) | mV | 20 | | 40 | | 80 | |
| | Maximum Load Regulation (0-100% load) (*3) | mV | 40 | | 100 | | 600 | |
| | Temperature Coefficient (Ambient temperature -40°C to +50°C) | | 80mV | | 200mV | | 300mV | |
| | Max Power Total Regulation (max) (*4) | % | ± 3 | | | | ± 5 | |
| | Maximum Ripple & Noise (typ/max) (*5) | mVp-p | 40/120 | | 30/120 | | | |
| | Voltage Adjustable Range | VDC | 3.15-3.6 | 4.75-6.0 | 11.4-15.0 | | ± 11.4 ± 15.0 | |
| | Function | Over Current Protection (*6) | | Available | | | | |
| Over Voltage Protection | | | Not available | | | | | |
| Remote ON/OFF Control | | | Available | | | | | |
| Environment | Operating Temperature | °C | -40 to +85 | | | | | |
| | Storage Temperature | °C | -40 to +85 | | | | | |
| | Operating Humidity | % RH | 5-95 (the conditions of maximum 38°C in wet bulb temperature and non-condensation should be ensured.) | | | | | |
| | Storage Humidity | % RH | 5-95 (the conditions of maximum 38°C in wet bulb temperature and non-condensation should be ensured.) | | | | | |
| Isolation | Vibration | | 10-55Hz, 15 minutes sweep and 1.52mm total amplitude, 3 directions, 2h for each | | | | | |
| | Shock | | 980m/s ² (100G), 6ms, 6 directions, 3 times for each, in non-operation | | | | | |
| | Withstand Voltage | | Between input terminal and case, between input terminal and output terminal, and between output terminal and case: 500VAC (for 1 minute) | | | | | |
| Standards | Isolation Resistance | | Between input terminal and output terminal: 500VDC, 50MΩ min | | | | | |
| | Safety Standards | | UL60950-1, CSA C22.2 No.60950-1 (C-UL), EN60950-1 (NEMKO) | | | | | |
| Mechanical | Weight (typ) | g | 5.8 | | | | | |
| | Size (W x H x D) | mm | DIP: 22.86 x 8.5 x 21.1 / SMD: 22.86 x 8.8 x 21.1 | | | | | |

Note: "x" in model names is to be replaced by a symbol which represents the terminal configuration (F: DIP/R: SMD) for actual model names.

Note: With nominal input/output voltage, maximum output current, and Ta=25°C, if not specified separately.

Note: For 12V/±12V models, output voltage can be set to 15V/±15V by connecting the output adjustment terminal TRM to -Vout.

Note: For ± 12V model, output voltage can be set to 24V or 30V single output by making the COM terminal open.

(*1) With nominal input voltage, maximum output current, and Ta=25°C.

(*2) The maximum output power value is between -40°C and +50°C. For use in outside this temperature range, derating is needed.

(*3) In balanced load for dual outputs ("balanced load" means a condition where the +output and -output of load current are equal).

(*4) Output voltage includes input change, load change (balanced load), and temperature change.

(*5) In 50MHz, Ta=25°C.

(*6) Output current restriction method. Automatically resumes when the causes are removed. Never operate the unit under output-shortened or overload conditions for over 30 seconds.

| ITEMS/UNITS | | MODEL | CC6-2403Sx-E | CC6-2405Sx-E | CC6-2412Sx-E | CC6-2412Dx-E | | |
|-------------------------|--|------------------------------|--|--------------|--------------|--------------|----------------|-------|
| Input | Nominal Voltage | V | DC24 | | | | | |
| | Voltage Range | V | DC18-36 | | | | | |
| | Efficiency (typ) (*1) | % | 77 | 81 | 87 | 86 | | |
| | Current (typ) (*1) | A | 0.214 | 0.309 | 0.287 | 0.291 | | |
| Output | Nominal Voltage | VDC | 3.3 | 5 | 12 | 15 | ± 12 | ± 15 |
| | Maximum Current | A | 1.200 | | 0.500 | 0.400 | 0.250 | 0.200 |
| | Maximum Power (*2) | W | 3.96 | | 6 | | | |
| | Maximum Line Regulation(Within input voltage range) | mV | 20 | | 40 | | 80 | |
| | Maximum Load Regulation (0-100% load) (*3) | mV | 40 | | 100 | | 600 | |
| | Temperature Coefficient (Ambient temperature -40°C to +50°C) | | 80mV | | 200mV | | 300mV | |
| | Max Power Total Regulation (max)(*4) | % | ± 3 | | | | ± 5 | |
| | Maximum Ripple & Noise (typ/max) (*5) | mVp-p | 40/120 | | 30/120 | | | |
| | Voltage Adjustable Range | VDC | 3.15-3.6 | 4.75-6.0 | 11.4-15.0 | | ± 11.4- ± 15.0 | |
| | Function | Over Current Protection (*6) | | Available | | | | |
| Over Voltage Protection | | | Not available | | | | | |
| Remote ON/OFF Control | | | Available | | | | | |
| Environment | Operating Temperature | °C | -40 to +85 | | | | | |
| | Storage Temperature | °C | -40 to +85 | | | | | |
| | Operating Humidity | % RH | 5-95 (the conditions of maximum 38°C in wet bulb temperature and non-condensation should be ensured.) | | | | | |
| | Storage Humidity | % RH | 5-95 (the conditions of maximum 38°C in wet bulb temperature and non-condensation should be ensured.) | | | | | |
| Isolation | Vibration | | 10-55Hz, 15 minutes sweep and 1.52mm total amplitude, 3 directions, 2h for each | | | | | |
| | Shock | | 980m/s ² (100G), 6ms, 6 directions, 3 times for each, in non-operation | | | | | |
| | Withstand Voltage | | Between input terminal and case, between input terminal and output terminal, and between output terminal and case: 500VAC (for 1 minute) | | | | | |
| Standards | Isolation Resistance | | Between input terminal and output terminal: 500VDC, 50MΩ min | | | | | |
| | Safety Standards | | UL60950-1, CSA C22.2 No.60950-1 (C-UL), EN60950-1 (NEMKO) | | | | | |
| Mechanical | Weight (typ) | g | 5.8 | | | | | |
| | Size (W x H x D) | mm | DIP: 22.86 x 8.5 x 21.1 / SMD: 22.86 x 8.8 x 21.1 | | | | | |

Note: "x" in model names is to be replaced by a symbol which represents the terminal configuration (F: DIP/R: SMD) for actual model names.

Note: With nominal input/output voltage, maximum output current, and Ta=25°C, if not specified separately.

Note: For 12V/±12V models, output voltage can be set to 15V/±15V by connecting the output adjustment terminal TRM to -Vout.

Note: For ± 12V model, output voltage can be set to 24V or 30V single output by making the COM terminal open.

(*1) With nominal input voltage, maximum output current, and Ta=25°C.

(*2) The maximum output power value is between -40°C and +50°C. For use in outside this temperature range, derating is needed.

(*3) In balanced load for dual outputs ("balanced load" means a condition where the +output and -output of load current are equal).

(*4) Output voltage includes input change, load change (balanced load), and temperature change.

(*5) In 50MHz, Ta=25°C.

(*6) Output current restriction method. Automatically resumes when the causes are removed. Never operate the unit under output-shortened or overload conditions for over 30 seconds.

| ITEMS/UNITS | | MODEL | CC6-4803Sx-E | CC6-4805Sx-E | CC6-4812Sx-E | CC6-4812Dx-E | | |
|-------------------------|--|------------------------------|--|--------------|--------------|--------------|----------------|-------|
| Input | Nominal Voltage | V | DC48 | | | | | |
| | Voltage Range | V | DC36-76 | | | | | |
| | Efficiency (typ) (*1) | % | 77 | 81 | 86 | | | |
| | Current (typ) (*1) | A | 0.107 | 0.154 | 0.145 | | | |
| Output | Nominal Voltage | VDC | 3.3 | 5 | 12 | 15 | ± 12 | ± 15 |
| | Maximum Current | A | 1.200 | | 0.500 | 0.400 | 0.250 | 0.200 |
| | Maximum Power (*2) | W | 3.96 | | 6 | | | |
| | Maximum Line Regulation(Within input voltage range) | mV | 20 | | 40 | | 80 | |
| | Maximum Load Regulation (0-100% load) (*3) | mV | 40 | | 100 | | 600 | |
| | Temperature Coefficient (Ambient temperature -40°C to +50°C) | | 80mV | | 200mV | | 300mV | |
| | Max Power Total Regulation (max)(*4) | % | ± 3 | | | | ± 5 | |
| | Maximum Ripple & Noise (typ/max) (*5) | mVp-p | 40/120 | | 30/120 | | | |
| | Voltage Adjustable Range | VDC | 3.15-3.6 | 4.75-6.0 | 11.4-15.0 | | ± 11.4- ± 15.0 | |
| | Function | Over Current Protection (*6) | | Available | | | | |
| Over Voltage Protection | | | Not available | | | | | |
| Remote ON/OFF Control | | | Available | | | | | |
| Environment | Operating Temperature | °C | -40 to +85 | | | | | |
| | Storage Temperature | °C | -40 to +85 | | | | | |
| | Operating Humidity | % RH | 5-95 (the conditions of maximum 38°C in wet bulb temperature and non-condensation should be ensured.) | | | | | |
| | Storage Humidity | % RH | 5-95 (the conditions of maximum 38°C in wet bulb temperature and non-condensation should be ensured.) | | | | | |
| Isolation | Vibration | | 10-55Hz, 15 minutes sweep and 1.52mm total amplitude, 3 directions, 2h for each | | | | | |
| | Shock | | 980m/s ² (100G), 6ms, 6 directions, 3 times for each, in non-operation | | | | | |
| | Withstand Voltage | | Between input terminal and case, between input terminal and output terminal, and between output terminal and case: 500VAC (for 1 minute) | | | | | |
| Standards | Isolation Resistance | | Between input terminal and output terminal: 500VDC, 50MΩ min | | | | | |
| | Safety Standards | | UL60950-1, CSA C22.2 No.60950-1 (C-UL), EN60950-1 (NEMKO) | | | | | |
| Mechanical | Weight (typ) | g | 5.8 | | | | | |
| | Size (W x H x D) | mm | DIP: 22.86 x 8.5 x 21.1 / SMD: 22.86 x 8.8 x 21.1 | | | | | |

Note: "x" in model names is to be replaced by a symbol which represents the terminal configuration (F: DIP/R: SMD) for actual model names.

Note: With nominal input/output voltage, maximum output current, and Ta=25°C, if not specified separately.

Note: For 12V/±12V models, output voltage can be set to 15V/±15V by connecting the output adjustment terminal TRM to -Vout.

Note: For ± 12V model, output voltage can be set to 24V or 30V single output by making the COM terminal open.

(*1) With nominal input voltage, maximum output current, and Ta=25°C.

(*2) The maximum output power value is between -40°C and +50°C. For use in outside this temperature range, derating is needed.

(*3) In balanced load for dual outputs ("balanced load" means a condition where the +output and -output of load current are equal).

(*4) Output voltage includes input change, load change (balanced load), and temperature change.

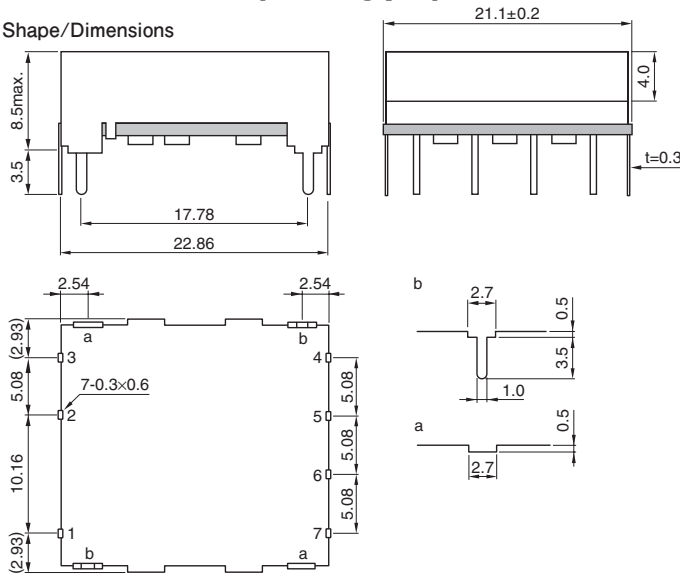
(*5) In 50MHz, Ta=25°C.

(*6) Output current restriction method. Automatically resumes when the causes are removed. Never operate the unit under output-shortened or overload conditions for over 30 seconds.

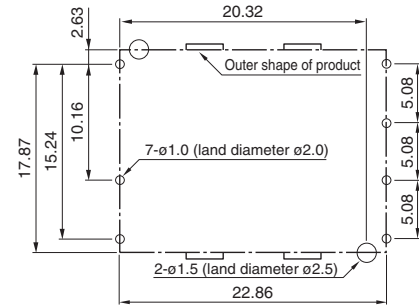
Outline Drawing

CC6-xxxxxF-E (DIP type)

Shape/Dimensions



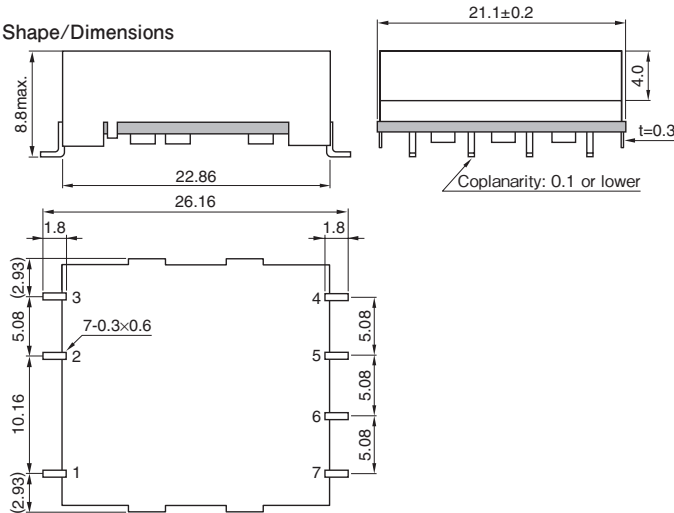
Recommended measurements for mounting board



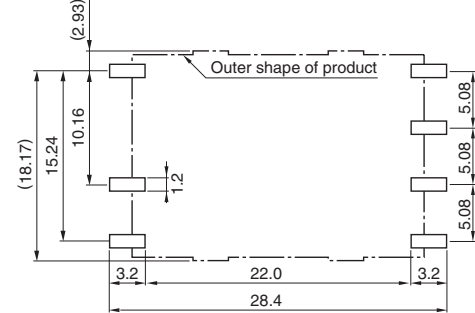
Unit: mm
Allowable tolerance is ±0.5 if not specified separately.

CC6-xxxxxR-E (SMD type)

Shape/Dimensions



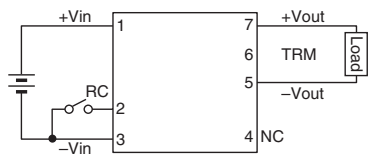
Recommended measurements for mounting board



Unit: mm
Allowable tolerance is ±0.5 if not specified separately.

Connection diagram

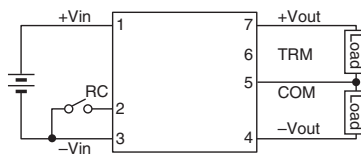
CC6-xxxxSx-E



Terminal connections

| | |
|------|-------|
| No.1 | +Vin |
| No.2 | RC |
| No.3 | -Vin |
| No.4 | NC |
| No.5 | -Vout |
| No.6 | TRM |
| No.7 | +Vout |

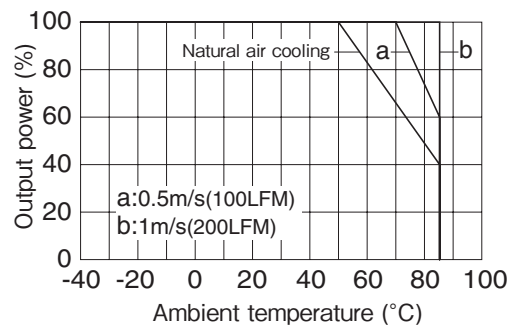
CC6-xxxxDx-E



Terminal connections

| | |
|------|------------|
| No.1 | +Vin |
| No.2 | RC |
| No.3 | -Vin |
| No.4 | -Vout |
| No.5 | Common out |
| No.6 | TRM |
| No.7 | +Vout |

Derating Curve



Output power derating by ambient temperature
(common specification)

CC10-E Specifications

| ITEMS/UNITS | | MODEL | CC10-0503Sx-E | CC10-0505Sx-E | CC10-0512Sx-E | | CC10-0512Dx-E | | |
|-------------------------|--|------------------------------|--|---------------|---------------|--------|---------------|-------|--|
| Input | Nominal Voltage | V | DC5.0 | | | | | | |
| | Voltage Range | V | DC4.5-9.0 | | | | | | |
| | Efficiency (typ) (*1) | % | 84 | | | | | 83 | |
| | Current (typ) (*1) | A | 1.964 | 2.381 | 2.286 | | 2.313 | | |
| Output | Nominal Voltage | VDC | 3.3 | 5 | 12 | 15 | ± 12 | ± 15 | |
| | Maximum Current | A | 2.500 | 2.000 | 0.800 | 0.640 | 0.400 | 0.320 | |
| | Maximum Power (*2) | W | 8.25 | 10 | 9.6 | | | | |
| | Maximum Line Regulation (Within input voltage range) | mV | 20 | | 40 | | 80 | | |
| | Maximum Load Regulation (0-100% load) (*3) | mV | 40 | | 100 | | 600 | | |
| | Temperature Coefficient (Ambient temperature -40°C to +50°C) | | 80mV | | 200mV | | 300mV | | |
| | Max Power Total Regulation (max) (*4) | % | ± 3 | | | | | ± 5 | |
| | Maximum Ripple & Noise (typ/max) (*5) | mVp-p | 40/120 | | | 30/120 | | | |
| | Voltage Adjustable Range | VDC | 3.15-3.6 | 4.75-6.0 | 11.4-15.0 | | ± 11.4 ± 15.0 | | |
| | Function | Over Current Protection (*6) | | Available | | | | | |
| Over Voltage Protection | | | Not available | | | | | | |
| Remote ON/OFF Control | | | Available | | | | | | |
| Environment | Operating Temperature | °C | -40 to +85 | | | | | | |
| | Storage Temperature | °C | -40 to +85 | | | | | | |
| | Operating Humidity | % RH | 5-95 (the conditions of maximum 38°C in wet bulb temperature and non-condensation should be ensured.) | | | | | | |
| | Storage Humidity | % RH | 5-95 (the conditions of maximum 38°C in wet bulb temperature and non-condensation should be ensured.) | | | | | | |
| Isolation | Vibration | | 10-55Hz, 15 minutes sweep and 1.52mm total amplitude, 3 directions, 2h for each | | | | | | |
| | Shock | | 980m/s ² (100G), 6ms, 6 directions, 3 times for each, in non-operation | | | | | | |
| | Withstand Voltage | | Between input terminal and case, between input terminal and output terminal, and between output terminal and case: 500VAC (for 1 minute) | | | | | | |
| Standards | Isolation Resistance | | Between input terminal and output terminal: 500VDC, 50MΩ min | | | | | | |
| | Safety Standards | | UL60950-1, CSA C22.2 No.60950-1 (C-UL), EN60950-1 (NEMKO) | | | | | | |
| Mechanical | Weight (typ) | g | 10 | | | | | | |
| | Size (W x H x D) | mm | DIP: 35.56 x 8.5 x 22.6 / SMD: 35.56 x 8.8 x 22.6 | | | | | | |

Note: "x" in model names is to be replaced by a symbol which represents the terminal configuration (F: DIP/R: SMD) for actual model names.

Note: With nominal input/output voltage, maximum output current, and Ta=25°C, if not specified separately.

Note: For 12V/±12V models, output voltage can be set to 15V/±15V by connecting the output adjustment terminal TRM to -Vout.

Note: For ± 12V model, output voltage can be set to 24V or 30V single output by making the COM terminal open.

(*1) With nominal input voltage, maximum output current, and Ta=25°C.

(*2) The maximum output power value is between -40°C and +50°C. For use in outside this temperature range, derating is needed.

(*3) In balanced load for dual outputs ("balanced load" means a condition where the +output and -output of load current are equal).

(*4) Output voltage includes input change, load change (balanced load), and temperature change.

(*5) In 50MHz, Ta=25°C.

(*6) Output current restriction method. Automatically resumes when the causes are removed. Never operate the unit under output-shortened or overload conditions for over 30 seconds.

| ITEMS/UNITS | | MODEL | CC10-1203Sx-E | CC10-1205Sx-E | CC10-1212Sx-E | | CC10-1212Dx-E | | |
|-------------------------|--|------------------------------|--|---------------|---------------|--------|---------------|------|--|
| Input | Nominal Voltage | V | DC12 | | | | | | |
| | Voltage Range | V | DC9.0-18 | | | | | | |
| | Efficiency (typ) (*1) | % | 84 | 86 | 88 | | 86 | | |
| | Current (typ) (*1) | A | 0.318 | 0.969 | 1.136 | | 1.047 | | |
| Output | Nominal Voltage | VDC | 3.3 | 5 | 12 | 15 | ± 12 | ± 15 | |
| | Maximum Current | A | 2.500 | 2.000 | 1000 | 800 | 450 | 360 | |
| | Maximum Power (*2) | W | 8.25 | 10 | 12 | | 10.8 | | |
| | Maximum Line Regulation (Within input voltage range) | mV | 20 | | 40 | | 80 | | |
| | Maximum Load Regulation (0-100% load) (*3) | mV | 40 | | 100 | | 600 | | |
| | Temperature Coefficient (Ambient temperature -40°C to +50°C) | | 80mV | | 200mV | | 300mV | | |
| | Max Power Total Regulation (max) (*4) | % | ± 3 | | | | | ± 5 | |
| | Maximum Ripple & Noise (typ/max) (*5) | mVp-p | 40/120 | | | 30/120 | | | |
| | Voltage Adjustable Range | VDC | 3.15-3.6 | 4.75-6.0 | 11.4-15.0 | | ± 11.4 ± 15.0 | | |
| | Function | Over Current Protection (*6) | | Available | | | | | |
| Over Voltage Protection | | | Not available | | | | | | |
| Remote ON/OFF Control | | | Available | | | | | | |
| Environment | Operating Temperature | °C | -40 to +85 | | | | | | |
| | Storage Temperature | °C | -40 to +85 | | | | | | |
| | Operating Humidity | % RH | 5-95 (the conditions of maximum 38°C in wet bulb temperature and non-condensation should be ensured.) | | | | | | |
| | Storage Humidity | % RH | 5-95 (the conditions of maximum 38°C in wet bulb temperature and non-condensation should be ensured.) | | | | | | |
| Isolation | Vibration | | 10-55Hz, 15 minutes sweep and 1.52mm total amplitude, 3 directions, 2h for each | | | | | | |
| | Shock | | 980m/s ² (100G), 6ms, 6 directions, 3 times for each, in non-operation | | | | | | |
| | Withstand Voltage | | Between input terminal and case, between input terminal and output terminal, and between output terminal and case: 500VAC (for 1 minute) | | | | | | |
| Standards | Isolation Resistance | | Between input terminal and output terminal: 500VDC, 50MΩ min | | | | | | |
| | Safety Standards | | UL60950-1, CSA C22.2 No.60950-1 (C-UL), EN60950-1 (NEMKO) | | | | | | |
| Mechanical | Weight (typ) | g | 10 | | | | | | |
| | Size (W x H x D) | mm | DIP: 35.56 x 8.5 x 22.6 / SMD: 35.56 x 8.8 x 22.6 | | | | | | |

Note: "x" in model names is to be replaced by a symbol which represents the terminal configuration (F: DIP/R: SMD) for actual model names.

Note: With nominal input/output voltage, maximum output current, and Ta=25°C, if not specified separately.

Note: For 12V/±12V models, output voltage can be set to 15V/±15V by connecting the output adjustment terminal TRM to -Vout.

Note: For ± 12V model, output voltage can be set to 24V or 30V single output by making the COM terminal open.

(*1) With nominal input voltage, maximum output current, and Ta=25°C.

(*2) The maximum output power value is between -40°C and +50°C. For use in outside this temperature range, derating is needed.

(*3) In balanced load for dual outputs ("balanced load" means a condition where the +output and -output of load current are equal).

(*4) Output voltage includes input change, load change (balanced load), and temperature change.

(*5) In 50MHz, Ta=25°C.

(*6) Output current restriction method. Automatically resumes when the causes are removed. Never operate the unit under output-shortened or overload conditions for over 30 seconds.

| ITEMS/UNITS | | MODEL | CC10-2403Sx-E | CC10-2405Sx-E | CC10-2412Sx-E | | CC10-2412Dx-E | |
|-------------------------|--|------------------------------|--|---------------|---------------|--------|---------------|-------|
| Input | Nominal Voltage | V | DC24 | | | | | |
| | Voltage Range | V | DC18-36 | | | | | |
| | Efficiency (typ) (*1) | % | 84 | 86 | 87 | | 86 | |
| | Current (typ) (*1) | A | 0.409 | 0.484 | 0.575 | | 0.523 | |
| Output | Nominal Voltage | VDC | 3.3 | 5 | 12 | 15 | ± 12 | ± 15 |
| | Maximum Current | A | 2.500 | 2.000 | 1.000 | 0.800 | 0.450 | 0.360 |
| | Maximum Power (*2) | W | 8.25 | 10 | 12 | | 10.8 | |
| | Maximum Line Regulation (Within input voltage range) | mV | 20 | | 40 | | 80 | |
| | Maximum Load Regulation (0-100% load) (*3) | mV | 40 | | 100 | | 600 | |
| | Temperature Coefficient (Ambient temperature -40°C to +50°C) | | 80mV | | 200mV | | 300mV | |
| | Max Power Total Regulation (max)(*4) | % | ± 3 | | | | ± 5 | |
| | Maximum Ripple & Noise (typ/max) (*5) | mVp-p | 40/120 | | | 30/120 | | |
| | Voltage Adjustable Range | VDC | 3.15-3.6 | 4.75-6.0 | 11.4-15.0 | | ± 11.4 ± 15.0 | |
| | Function | Over Current Protection (*6) | | Available | | | | |
| Over Voltage Protection | | | Not available | | | | | |
| Remote ON/OFF Control | | | Available | | | | | |
| Environment | Operating Temperature | °C | -40 to +85 | | | | | |
| | Storage Temperature | °C | -40 to +85 | | | | | |
| | Operating Humidity | % RH | 5-95 (the conditions of maximum 38°C in wet bulb temperature and non-condensation should be ensured.) | | | | | |
| | Storage Humidity | % RH | 5-95 (the conditions of maximum 38°C in wet bulb temperature and non-condensation should be ensured.) | | | | | |
| | Vibration | | 10-55Hz, 15 minutes sweep and 1.52mm total amplitude, 3 directions, 2h for each | | | | | |
| Isolation | Shock | | 980m/s ² (100G), 6ms, 6 directions, 3 times for each, in non-operation | | | | | |
| | Withstand Voltage | | Between input terminal and case, between input terminal and output terminal, and between output terminal and case: 500VAC (for 1 minute) | | | | | |
| Standards | Isolation Resistance | | Between input terminal and output terminal: 500VDC, 50MΩ min | | | | | |
| | Safety Standards | | UL60950-1, CSA C22.2 No.60950-1 (C-UL), EN60950-1 (NEMKO) | | | | | |
| Mechanical | Weight (typ) | g | 10 | | | | | |
| | Size (W x H x D) | mm | DIP: 35.56 x 8.5 x 22.6 / SMD: 35.56 x 8.8 x 22.6 | | | | | |

Note: "x" in model names is to be replaced by a symbol which represents the terminal configuration (F: DIP/R: SMD) for actual model names.

Note: With nominal input/output voltage, maximum output current, and Ta=25°C, if not specified separately.

Note: For 12V/±12V models, output voltage can be set to 15V/±15V by connecting the output adjustment terminal TRM to -Vout.

Note: For ± 12V model, output voltage can be set to 24V or 30V single output by making the COM terminal open.

(*1) With nominal input voltage, maximum output current, and Ta=25°C.

(*2) The maximum output power value is between -40°C and +50°C. For use in outside this temperature range, derating is needed.

(*3) In balanced load for dual outputs ("balanced load" means a condition where the +output and -output of load current are equal).

(*4) Output voltage includes input change, load change (balanced load), and temperature change.

(*5) In 50MHz, Ta=25°C.

(*6) Output current restriction method. Automatically resumes when the causes are removed. Never operate the unit under output-shortened or overload conditions for over 30 seconds.

| ITEMS/UNITS | | MODEL | CC10-4803Sx-E | CC10-4805Sx-E | CC10-4812Sx-E | | CC10-4812Dx-E | |
|-------------------------|--|------------------------------|--|---------------|---------------|--------|---------------|-------|
| Input | Nominal Voltage | V | DC48 | | | | | |
| | Voltage Range | V | DC36-76 | | | | | |
| | Efficiency (typ) (*1) | % | 84 | 86 | 88 | | 86 | |
| | Current (typ) (*1) | A | 0.205 | 0.242 | 0.284 | | 0.262 | |
| Output | Nominal Voltage | VDC | 3.3 | 5 | 12 | 15 | ± 12 | ± 15 |
| | Maximum Current | A | 2.500 | 2.000 | 1.000 | 0.800 | 0.450 | 0.360 |
| | Maximum Power (*2) | W | 8.25 | 10 | 12 | | 10.8 | |
| | Maximum Line Regulation (Within input voltage range) | mV | 20 | | 40 | | 80 | |
| | Maximum Load Regulation (0-100% load) (*3) | mV | 40 | | 100 | | 600 | |
| | Temperature Coefficient (Ambient temperature -40°C to +50°C) | | 80mV | | 200mV | | 300mV | |
| | Max Power Total Regulation (max)(*4) | % | ± 3 | | | | ± 5 | |
| | Maximum Ripple & Noise (typ/max) (*5) | mVp-p | 40/120 | | | 30/120 | | |
| | Voltage Adjustable Range | VDC | 3.15-3.6 | 4.75-6.0 | 11.4-15.0 | | ± 11.4 ± 15.0 | |
| | Function | Over Current Protection (*6) | | Available | | | | |
| Over Voltage Protection | | | Not available | | | | | |
| Remote ON/OFF Control | | | Available | | | | | |
| Environment | Operating Temperature | °C | -40 to +85 | | | | | |
| | Storage Temperature | °C | -40 to +85 | | | | | |
| | Operating Humidity | % RH | 5-95 (the conditions of maximum 38°C in wet bulb temperature and non-condensation should be ensured.) | | | | | |
| | Storage Humidity | % RH | 5-95 (the conditions of maximum 38°C in wet bulb temperature and non-condensation should be ensured.) | | | | | |
| | Vibration | | 10-55Hz, 15 minutes sweep and 1.52mm total amplitude, 3 directions, 2h for each | | | | | |
| Isolation | Shock | | 980m/s ² (100G), 6ms, 6 directions, 3 times for each, in non-operation | | | | | |
| | Withstand Voltage | | Between input terminal and case, between input terminal and output terminal, and between output terminal and case: 500VAC (for 1 minute) | | | | | |
| Standards | Isolation Resistance | | Between input terminal and output terminal: 500VDC, 50MΩ min | | | | | |
| | Safety Standards | | UL60950-1, CSA C22.2 No.60950-1 (C-UL), EN60950-1 (NEMKO) | | | | | |
| Mechanical | Weight (typ) | g | 10 | | | | | |
| | Size (W x H x D) | mm | DIP: 35.56 x 8.5 x 22.6 / SMD: 35.56 x 8.8 x 22.6 | | | | | |

Note: "x" in model names is to be replaced by a symbol which represents the terminal configuration (F: DIP/R: SMD) for actual model names.

Note: With nominal input/output voltage, maximum output current, and Ta=25°C, if not specified separately.

Note: For 12V/±12V models, output voltage can be set to 15V/±15V by connecting the output adjustment terminal TRM to -Vout.

Note: For ± 12V model, output voltage can be set to 24V or 30V single output by making the COM terminal open.

(*1) With nominal input voltage, maximum output current, and Ta=25°C.

(*2) The maximum output power value is between -40°C and +50°C. For use in outside this temperature range, derating is needed.

(*3) In balanced load for dual outputs ("balanced load" means a condition where the +output and -output of load current are equal).

(*4) Output voltage includes input change, load change (balanced load), and temperature change.

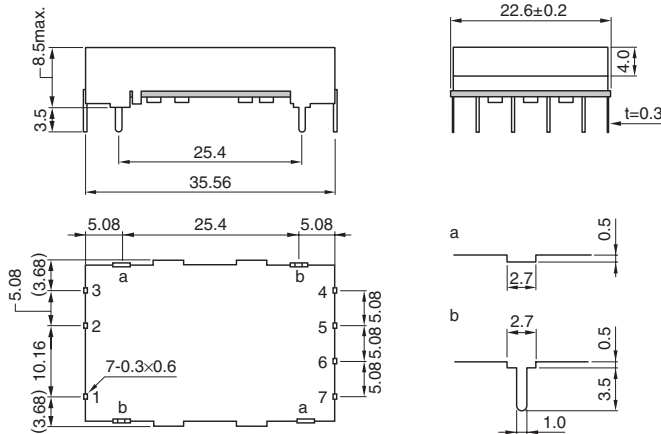
(*5) In 50MHz, Ta=25°C.

(*6) Output current restriction method. Automatically resumes when the causes are removed. Never operate the unit under output-shortened or overload conditions for over 30 seconds.

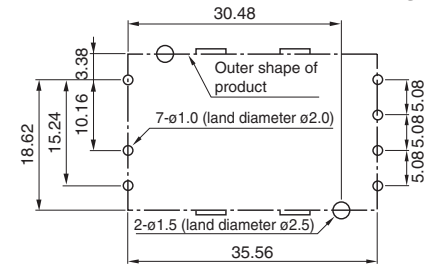
Outline Drawing

CC10-xxxxxF-E (DIP type)

Shape/Dimensions



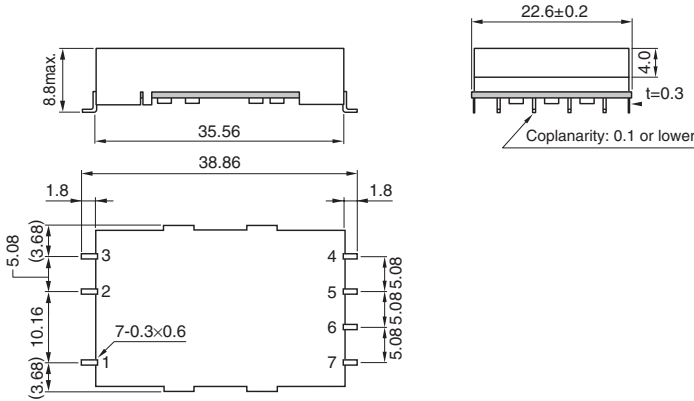
Recommended measurements for mounting board



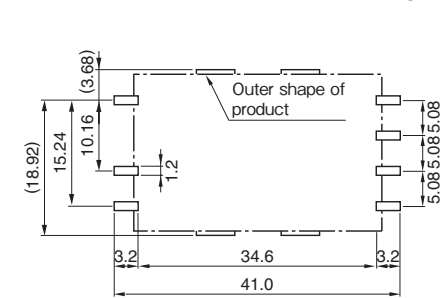
Unit: mm
Allowable tolerance is ±0.5 if not specified separately.

CC10-xxxxxR-E (SMD type)

Shape/Dimensions



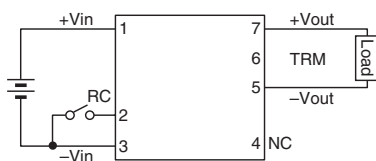
Recommended measurements for mounting board



Unit: mm
Allowable tolerance is ±0.5 if not specified separately.

Connection diagram

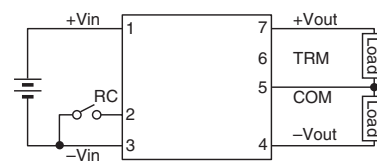
CC10-xxxxSx-E



Terminal connections

| | |
|------|-------|
| No.1 | +Vin |
| No.2 | RC |
| No.3 | -Vin |
| No.4 | NC |
| No.5 | -Vout |
| No.6 | TRM |
| No.7 | +Vout |

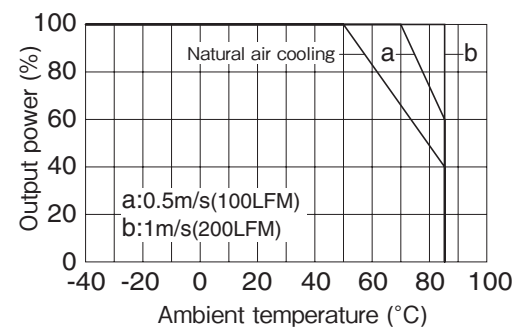
CC10-xxxxDx-E



Terminal connections

| | |
|------|------------|
| No.1 | +Vin |
| No.2 | RC |
| No.3 | -Vin |
| No.4 | -Vout |
| No.5 | Common out |
| No.6 | TRM |
| No.7 | +Vout |

Derating Curve



Output power derating by ambient temperature (common specification)

CC15-E Specifications

| ITEMS/UNITS | | MODEL | CC15-2403Sx-E | CC15-2405Sx-E |
|-------------------------|--|------------------------------|--|---------------|
| Input | Nominal Voltage | V | | DC24 |
| | Voltage Range | V | | DC18-36 |
| | Efficiency (typ) (*1) | % | | 89 |
| | Current (typ) (*1) | A | 0.695 | 0.702 |
| Output | Nominal Voltage | VDC | 3.3 | 5 |
| | Maximum Current | A | 4.500 | 3.000 |
| | Maximum Power (*2) | W | 14.85 | 15 |
| | Maximum Line Regulation(Within input voltage range) | mV | 65 | 100 |
| | Maximum Load Regulation (0-100% load) | mV | 120 | 200 |
| | Temperature Coefficient (Ambient temperature -40°C to +50°C) | | | 80mV |
| | Max Power Total Regulation (max)(*3) | % | | +5/-3 |
| | Maximum Ripple & Noise (typ/max) (*4) | mVp-p | | 40/120 |
| | Voltage Adjustable Range | | | Not available |
| | Function | Over Current Protection (*5) | | |
| Over Voltage Protection | | | | Not available |
| Remote ON/OFF Control | | | | Available |
| Environment | Operating Temperature | °C | | -40 to +85 |
| | Storage Temperature | °C | | -40 to +85 |
| | Operating Humidity | % RH | 5-95 (the conditions of maximum 38°C in wet bulb temperature and non-condensation should be ensured.) | |
| | Storage Humidity | % RH | 5-95 (the conditions of maximum 38°C in wet bulb temperature and non-condensation should be ensured.) | |
| | Vibration | | 10-55Hz, 15 minutes sweep and 1.52mm total amplitude, 3 directions, 2h for each | |
| Isolation | Shock | | 980m/s ² (100G), 6ms, 6 directions, 3 times for each, in non-operation | |
| | Withstand Voltage | | Between input terminal and case, between input terminal and output terminal, and between output terminal and case: 500VAC (for 1 minute) | |
| Standards | Isolation Resistance | | Between input terminal and output terminal: 500VDC, 50MΩ min | |
| | Safety Standards | | UL60950-1, CSA C22.2 No.60950-1 (C-UL), EN60950-1 (NEMKO) | |
| Mechanical | Weight (typ) | g | 12.5 | |
| | Size (W x H x D) | mm | DIP: 37.55 x 7.0 x 32.1 / SMD: 37.55 x 7.5 x 32.1 | |

Note: "x" in model names is to be replaced by a symbol which represents the terminal configuration (F: DIP/R: SMD) for actual model names.

Note: With nominal input/output voltage, maximum output current, and Ta=25°C, if not specified separately.

(*1) With nominal input voltage, maximum output current, and Ta=25°C.

(*2) The maximum output power value is between -40°C and +50°C. For use in outside this temperature range, derating is needed.

(*3) Output voltage includes input change, load change (balanced load), and temperature change.

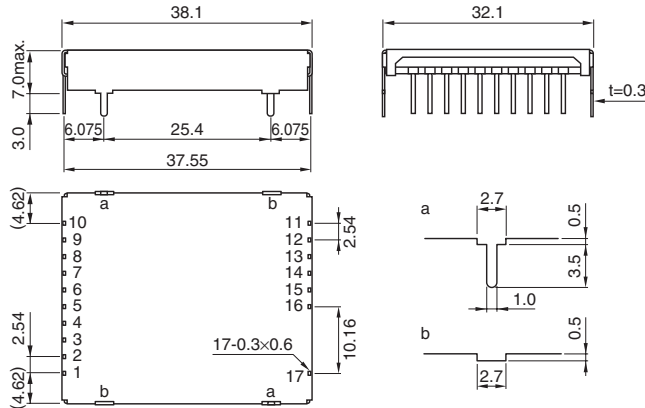
(*4) In 50MHz, Ta=25°C.

(*5) Latch method Resumes by restarting input or resetting remote on/off.

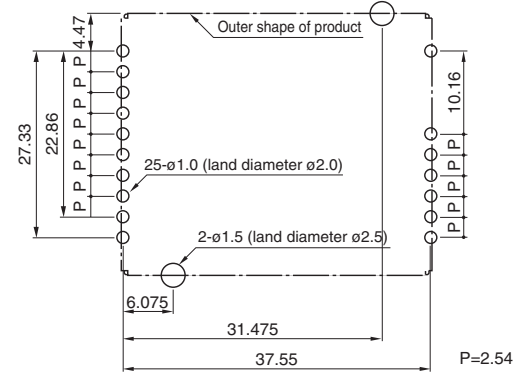
Outline Drawing

CC15-xxxxxSF-E (DIP type)

Shape/Dimensions



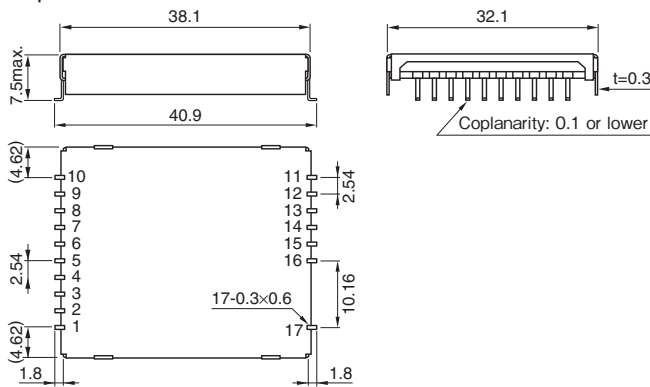
Recommended measurements for mounting board



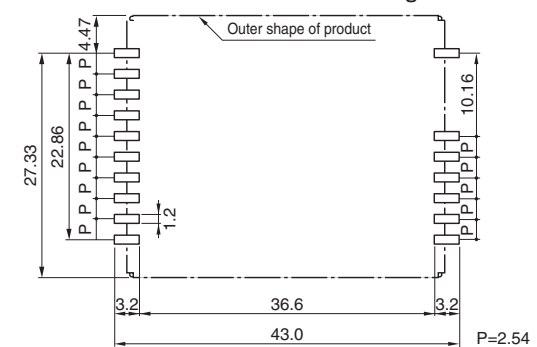
Unit: mm
Allowable tolerance is ±0.5 if not specified separately.

CC15-xxxxxSR-E (SMD type)

Shape/Dimensions

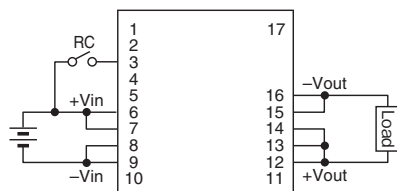


Recommended measurements for mounting board



Unit: mm
Allowable tolerance is ±0.5 if not specified separately.

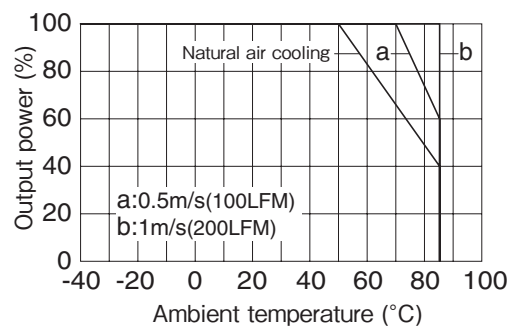
Connection diagram



Terminal connections

| | | | |
|------|------|-------|-------|
| No.1 | NC | No.10 | NC |
| No.2 | NC | No.11 | NC |
| No.3 | RC | No.12 | +Vout |
| No.4 | NC | No.13 | +Vout |
| No.5 | NC | No.14 | +Vout |
| No.6 | +Vin | No.15 | -Vout |
| No.7 | +Vin | No.16 | -Vout |
| No.8 | -Vin | No.17 | NC |
| No.9 | -Vin | | |

Derating Curve



Output power derating by ambient temperature (common specification)

CC25-E Specifications

| ITEMS/UNITS | | MODEL | CC25-2403Sx-E | CC25-2405Sx-E |
|-------------|--|-------|--|---------------|
| Input | Nominal Voltage | V | | DC24 |
| | Voltage Range | V | | DC18-36 |
| | Efficiency (typ) (*1) | % | | 90 |
| | Current (typ) (*1) | A | 1.146 | 1.157 |
| Output | Nominal Voltage | VDC | 3.3 | 5 |
| | Maximum Current | A | 7.500 | 5.000 |
| | Maximum Power (*2) | W | 24.75 | 25 |
| | Maximum Line Regulation (Within input voltage range) | mV | 65 | 100 |
| | Maximum Load Regulation (0-100% load) | mV | 120 | 200 |
| | Temperature Coefficient (Ambient temperature -40°C to +50°C) | | | 80mV |
| | Max Power Total Regulation (max)(*3) | % | | +5/-3 |
| | Maximum Ripple & Noise (typ/max) (*4) | mVp-p | | 40/120 |
| | Voltage Adjustable Range | VDC | | Not available |
| | Over Current Protection (*5) | | | Available |
| Function | Over Voltage Protection | | | Not available |
| | Remote ON/OFF Control | | | Available |
| | Operating Temperature | °C | | -40 to +85 |
| Environment | Storage Temperature | °C | | -40 to +85 |
| | Operating Humidity | % RH | 5-95 (the conditions of maximum 38°C in wet bulb temperature and non-condensation should be ensured.) | |
| | Storage Humidity | % RH | 5-95 (the conditions of maximum 38°C in wet bulb temperature and non-condensation should be ensured.) | |
| | Vibration | | 10-55Hz, 15 minutes sweep and 1.52mm total amplitude, 3 directions, 2h for each | |
| | Shock | | 980m/s ² (100G), 6ms, 3 directions, 3 times for each, in non-operation | |
| Isolation | Withstand Voltage | | Between input terminal and case, between input terminal and output terminal, and between output terminal and case: 500VAC (for 1 minute) | |
| | Isolation Resistance | | Between input terminal and output terminal: 500VDC, 50MΩ min | |
| Standards | Safety Standards | | UL60950-1, CSA C22.2 No.60950-1 (C-UL), EN60950-1 (NEMKO) | |
| Mechanical | Weight (typ) | g | 20 | |
| | Size (W x H x D) | mm | DIP: 42.65 x 7.0 x 44.9 / SMD: 42.65 x 7.5 x 44.9 | |

Note: "x" in model names is to be replaced by a symbol which represents the terminal configuration (F: DIP/R: SMD) for actual model names.

Note: With nominal input/output voltage, maximum output current, and Ta=25°C, if not specified separately.

(*1) With nominal input voltage, maximum output current, and Ta=25°C.

(*2) The maximum output power value is between -40°C and +50°C. For use in outside this temperature range, derating is needed.

(*3) Output voltage includes input change, load change (balanced load), and temperature change.

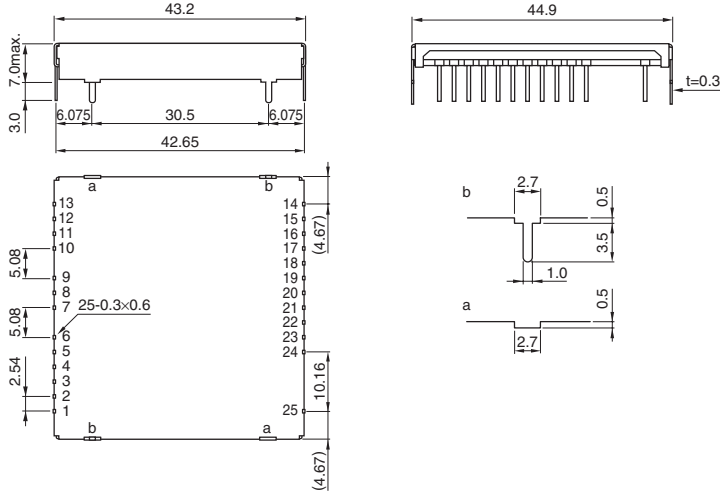
(*4) In 50MHz, Ta=25°C.

(*5) Latch method Resumes by restarting input or resetting remote on/off.

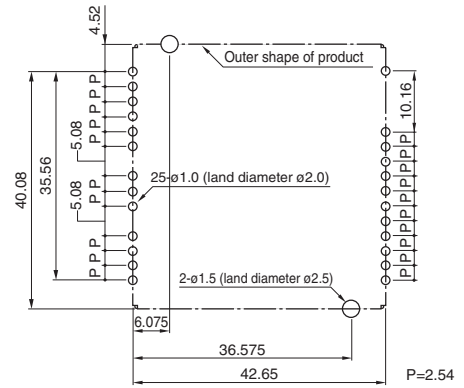
Outline Drawing

CC25-xxxxSF-E (DIP type)

Shape/Dimensions



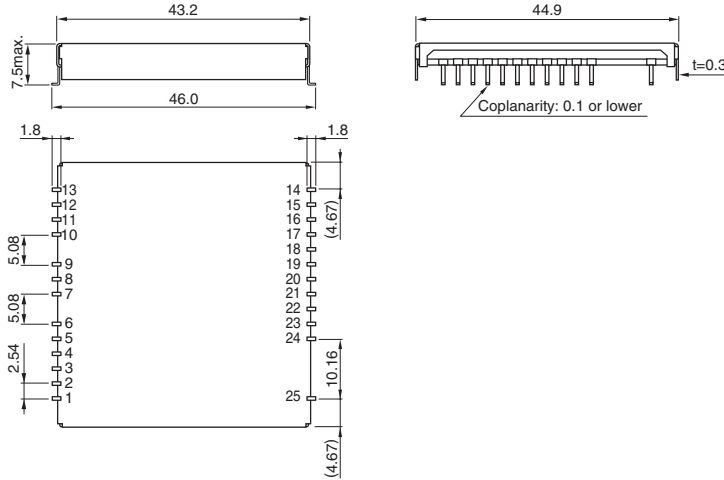
Recommended measurements for mounting board



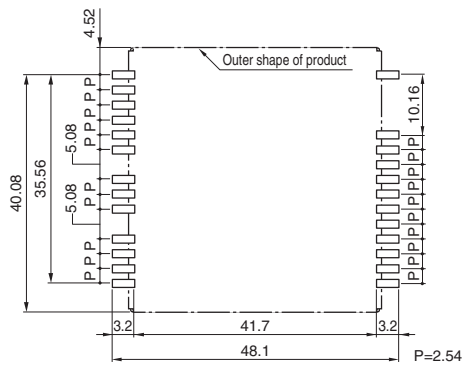
Unit: mm
Allowable tolerance is ± 0.5 if not specified separately.

CC25-xxxxSR-E (SMD type)

Shape/Dimensions

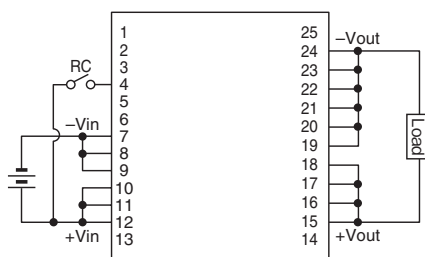


Recommended measurements for mounting board



Unit: mm
Allowable tolerance is ± 0.5 if not specified separately.

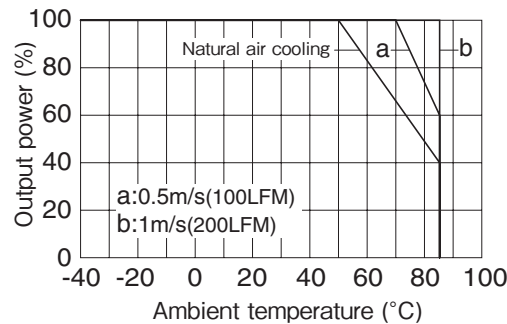
Connection diagram



Terminal connections

| | | | | | |
|------|------|-------|-------|-------|-------|
| No.1 | NC | No.10 | +Vin | No.19 | -Vout |
| No.2 | NC | No.11 | +Vin | No.20 | -Vout |
| No.3 | NC | No.12 | +Vin | No.21 | -Vout |
| No.4 | RC | No.13 | NC | No.22 | -Vout |
| No.5 | NC | No.14 | NC | No.23 | -Vout |
| No.6 | NC | No.15 | +Vout | No.24 | -Vout |
| No.7 | -Vin | No.16 | +Vout | No.25 | NC |
| No.8 | -Vin | No.17 | +Vout | | |
| No.9 | -Vin | No.18 | +Vout | | |

Derating Curve



Output power derating by ambient temperature (common specification)

CC-E Instruction Manual

1. Control functions/Protection functions/Connections

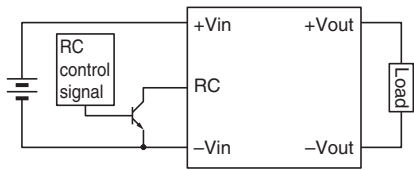
1. Remote On/Off terminal (RC)

1.5-10W type

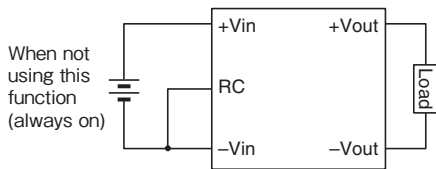
Open collector is recommended as the connection system. Consult us for use with other systems.

Use a transistor with "VCE: Vin or over" and "Ic: 1mA or over".

Output is switched off by setting the RC terminal open, and switched on by setting the RC terminal to LOW (0-0.4V).

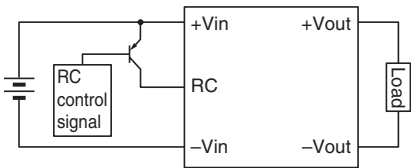


When not using this function (always on), short-circuit between RC terminal and -Vin terminal.

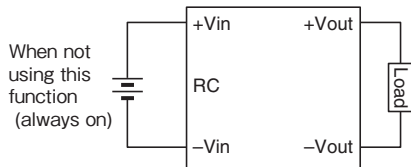


15/25W type

Output is switched on by setting the RC terminal to open, and switched off by setting the RC terminal to HIGH (connecting to Vin terminal).



When not using this function (always on), set the RC terminal to open.



1-2. Output voltage adjusting terminal (TRM) (1.5-10W type)

Output voltage can be set to the values shown in the figure below by connecting the TRM terminal to the -Vout terminal.

When not using this function (always on), set the TRM terminal to open.

Note that when the output voltage is set high by this function, derating of output current is necessary according to the maximum power.

DIP/SMD models

| Model name | Open | Connection to -Vout | Fig. |
|--------------|------|---------------------|------|
| CC*-xx03Sx-E | 3.3V | 3.6V | 1 |
| CC*-xx05Sx-E | 5V | 6V | 1 |
| CC*-xx12Sx-E | 12V | 15V | 1 |
| CC*-xx12Dx-E | ±12V | ±15V | 2 |

* To be replaced with 1R5(1.5W), 3(3W), 6(6W), or 10(10W) for actual model names.

Fig.1

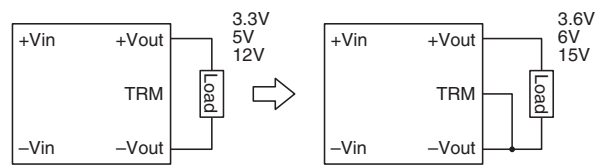
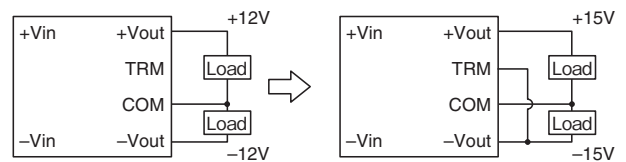


Fig.2



SIP models

| Model name | Model name | Connection to -Vout | Fig. |
|--------------|------------|---------------------|------|
| CC3-xx03SS-E | 3.3V | 3.67V | 3 |
| CC3-xx05SS-E | 5V | 6V | 3 |
| CC3-xx12SS-E | 12V | 15V | 3 |
| CC3-xx12DS-E | ±12V | ±15V | 4 |

Fig.3

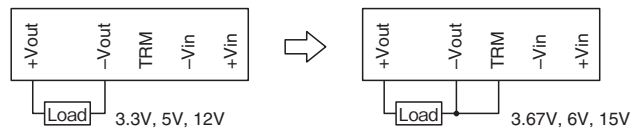
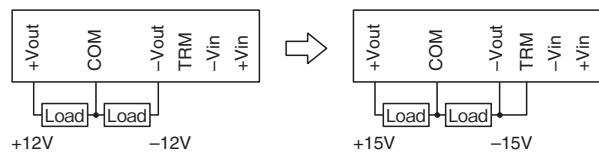


Fig.4



For the ±12V output model, output voltage can be set to 24V single output by making the COM terminal and TRM terminal open. And output voltage can be set to 30V single output by making the COM terminal open and connecting the TRM terminal to the -Vout terminal.

DIP/SMD models

| Model name | COM terminal | TRM terminal | Single output | Fig. |
|--------------|--------------|---------------------|---------------|------|
| CC*-xx12Dx-E | Open | Open | 24V | 5 |
| | Open | Connection to -Vout | 30V | 6 |

* To be replaced with 1R5(1.5W), 3(3W), 6(6W), or 10(10W) for actual model names.

Fig.5

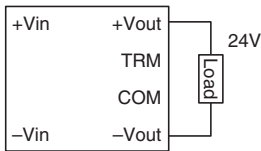
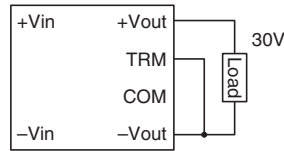


Fig.6



SIP models

| Model name | COM terminal | TRM terminal | Single output | Fig. |
|--------------|--------------|---------------------|---------------|------|
| CC3-xx12DS-E | Open | Open | 24V | 7 |
| | Open | Connection to -Vout | 30V | 8 |

Fig.7

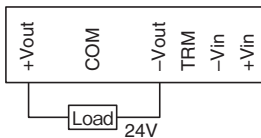
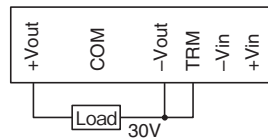


Fig.8



1-3. Output voltage adjusting function (adding external resistance) (1.5-10W type)

Output voltage can be varied in the range shown in the figure below by connecting a resistance (Ra, Rb) between the TRM terminal and the -Vout terminal or between the TRM terminal and +Vout terminal.

Note that when the output voltage is set high, derating of output current is necessary according to the maximum power.

DIP/SMD models

| Model name | Connection between -Vout and Ra | Fig. | Connection between +Vout and Rb | Fig. |
|--------------|---------------------------------|------|---------------------------------|------|
| CC*-xx03Sx-E | 3.3 to 3.6V*1 | 9 | 3.15 to 3.3V*5 | 10 |
| CC*-xx05Sx-E | 5 to 6V*2 | 9 | 4.75 to 5V*6 | 10 |
| CC*-xx12Sx-E | 12 to 15V*3 | 9 | 11.4 to 12V*7 | 10 |
| CC*-xx12Dx-E | ±12 to ±15V*4 | 11 | ±11.4 to ±12V*8 | 12 |

* To be replaced with 1R5(1.5W), 3(3W), 6(6W), or 10(10W) for actual model names.

Calculating output voltage Vout (V) from connected resistance Ra, Rb (kΩ)

Adding a resistance Ra between TRM terminal and -Vout terminal, to set the output voltage high

- *1 $V_{out} = 3.3 + 9.59/(32+R_a)$
- *2 $V_{out} = 5.01 + 17.64/(17.8+R_a)$
- *3 $V_{out} = 12.01 + 50.53/(16.9+R_a)$
- *4 $V_{out} = 12.02 + 53.55/(18+R_a)$

Adding a resistance Rb between TRM terminal and +Vout terminal, to set the output voltage low

- *5 $V_{out} = 3.3 - 15.53/(39.6+R_b)$ [$R_b \geq 62$]
- *6 $V_{out} = 5.01 - 52.55/(31.8+R_b)$ [$R_b \geq 160$]
- *7 $V_{out} = 12.01 - 431.1/(57+R_b)$ [$R_b \geq 620$]
- *8 $V_{out} = 12.02 - 968.5/(103+R_b)$ [$R_b \geq 1500$]

Calculating connected resistance Ra, Rb (kΩ) from set output voltage Vout (V)

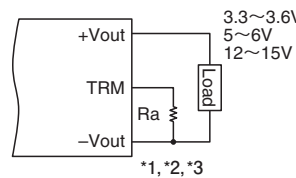
Adding a resistance Ra between TRM terminal and -Vout terminal, to set the output voltage high

- *1 $R_a = 9.59/(V_{out}-3.3) - 32$
- *2 $R_a = 17.64/(V_{out}-5.01) - 17.8$
- *3 $R_a = 50.53/(V_{out}-12.01) - 16.9$
- *4 $R_a = 53.55/(V_{out}-12.02) - 18$

Adding a resistance Rb between TRM terminal and +Vout terminal, to set the output voltage low

- *5 $R_b = 15.53/(3.3-V_{out}) - 39.6$
- *6 $R_b = 52.55/(5.01-V_{out}) - 31.8$
- *7 $R_b = 431.1/(12.01-V_{out}) - 57$
- *8 $R_b = 968.5/(12.02-V_{out}) - 103$

Fig.9



*1, *2, *3

Fig.10

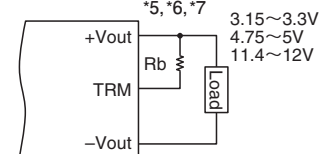
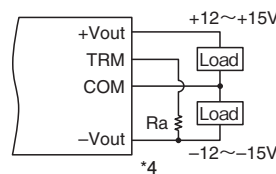
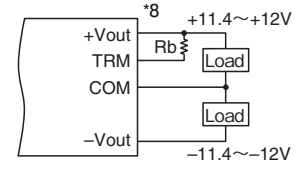


Fig.11



*4

Fig.12



SIP models

| Model name | Connection between -Vout and Ra | Fig. | Connection between +Vout and Rb | Fig. |
|--------------|---------------------------------|------|---------------------------------|------|
| CC3-xx03SS-E | 3.3 to 3.6V*1 | 13 | 3.15 to 3.3V*5 | 14 |
| CC3-xx05SS-E | 5 to 6V*2 | 13 | 4.75 to 5V*6 | 14 |
| CC3-xx12SS-E | 12 to 15V*3 | 13 | 11.4 to 12V*7 | 14 |
| CC3-xx12DS-E | ±12 to ±15V*4 | 15 | ±11.4 to ±12V*8 | 16 |

* To be replaced with 1R5(1.5W), 3(3W), 6(6W), or 10(10W) for actual model names.

Calculating output voltage Vout (V) from connected resistance Ra, Rb (kΩ)

Adding a resistance Ra between TRM terminal and -Vout terminal, to set the output voltage high

- *1 $V_{out} = 3.3 + 1.04/(2.83+R_a)$
- *2 $V_{out} = 5 + 12.75/(12.69+R_a)$
- *3 $V_{out} = 12 + 48.4/(16.18+R_a)$
- *4 $V_{out} = 12 + 54.7/(18+R_a)$

Adding a resistance Rb between TRM terminal and +Vout terminal, to set the output voltage low

- *5 $V_{out} = 3.3 - 1.69/(3.66+R_b)$ [$R_b \geq 7.6$]
- *6 $V_{out} = 5 - 12.78/(17.79+R_b)$ [$R_b \geq 33.3$]
- *7 $V_{out} = 12 - 184.1/(35.54+R_b)$ [$R_b \geq 271.3$]
- *8 $V_{out} = 12 - 470.3/(61.75+R_b)$ [$R_b \geq 722.1$]

Calculating connected resistance Ra, Rb (kΩ) from set output voltage Vout (V)

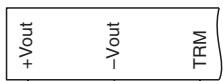
Adding a resistance Ra between TRM terminal and -Vout terminal, to set the output voltage high

- *1 $R_a = 1.04 / (V_{out} - 3.3) - 2.83$
- *2 $R_a = 12.75 / (V_{out} - 5) - 12.69$
- *3 $R_a = 48.4 / (V_{out} - 12) - 16.18$
- *4 $R_a = 54.7 / (V_{out} - 12) - 18$

Adding a resistance Rb between TRM terminal and +Vout terminal, to set the output voltage low

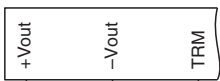
- *5 $R_b = 1.69 / (3.3 - V_{out}) - 3.66$
- *6 $R_b = 12.78 / (5 - V_{out}) - 17.79$
- *7 $R_b = 184.1 / (12 - V_{out}) - 35.54$
- *8 $R_b = 470.3 / (12 - V_{out}) - 61.75$

Fig.13



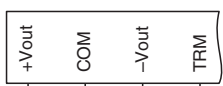
3.3~3.67V, 5~6V, 12~15V

Fig.14



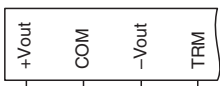
3.15~3.3V, 4.75~5V, 11.4~12V

Fig.15



+12~+15V -12~-15V

Fig.16



+11.4~+12V -11.4~-12V

1-4. Over current protection

1.5-10W type

An over current protection circuit is incorporated in the model, and if over current occurs, the output voltage is lowered. By removing the over current and shorted conditions, the output voltage automatically resumes. Note that if the over current status continues for 30 seconds or over, the internal elements of the converter may be deteriorated or damaged. The current value, from which it is judged as an over current, is not to be lower than the nominal current value. Due to fold back characteristics of OCP, the output may not rise up steady with constant current load or inductive load.

15/25W type

An over current protection circuit is incorporated in the model, and if over current occurs, the output voltage is lowered and the converter is stopped and latched. The output voltage does not automatically resume even after removing the over current and shorted conditions.

To resume output voltage, restart input or reset remote on/off.

The current value, from which it is judged as an over current, is not to be lower than the nominal current value.

1-5. Over voltage protection

An over voltage protection function is not incorporated in the model. Be careful if an external voltage over the nominal voltage is applied, damage may be caused.

1-6. Low input voltage protection

This series is equipped with the low input voltage protection in order to prevent malfunction due to low input voltage. The converter stops operation if the input voltage become lower than the set voltage. The set ranges are shown in the table below.

| Model name | Input voltage range | Voltage range set for protection circuit |
|---------------|---------------------|--|
| CC*-05xxxx-E | 4.5 to 9V | 3 to 4.5V |
| CC*-12xxxx-E | 9 to 18V | 6 to 9V |
| CC*-24xxxx-E | 18 to 36V | 13 to 18V |
| CC*-48xxxx-E | 36 to 76V | 27 to 36V |
| CC15-24xxSx-E | 18 to 36V | 12 to 18V |
| CC25-24xxSx-E | 18 to 36V | 12 to 18V |

* To be replaced with 1R5(1.5W), 3(3W), 6(6W), or 10(10W) for actual model names.

1-7. Insulation withstand voltage

The insulation withstand voltage between input and output, and between terminal and case, is AC500V.

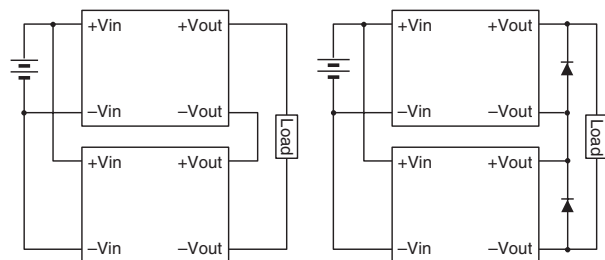
1-8. Series/Parallel connections

Series connection

Serial connection is applicable by wiring as shown in the figure below (left). If output voltage is not generated by this connection, connect a Schottky barrier diode in which the forward voltage is possibly low.

Also note that the Schottky barrier diode should have a reverse voltage that is twice or over the value of the voltage between +Vout and -Vout.

And the output current should be the same or lower than the nominal current value, whichever is smaller in the converters.



Parallel connection

Parallel connection is not applicable.

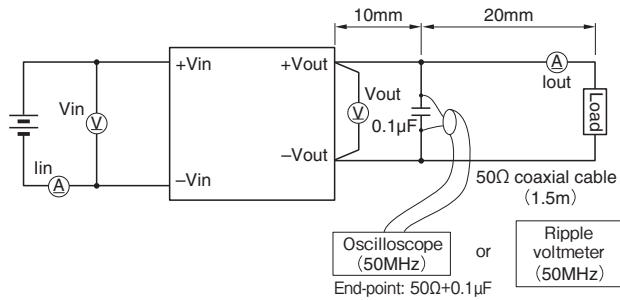
2. Noise reduction methods

2-1. Output ripple noise measurement method

The measured value of the converter noise may differ depending on the measurement method. Measurement should be conducted in a position close to the output terminal. When connecting a probe, do not allow a loop to be configured in order not to pick up flux.

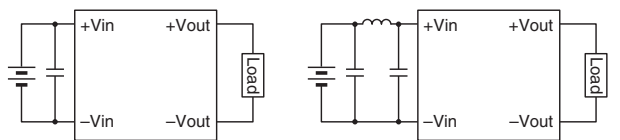
As well, note that the spike voltage greatly differs depending on the ripple voltmeter and frequency band of the oscilloscope.

Our noise measurement is conducted by the wiring shown in the figure below and in the frequency band of 50MHz.

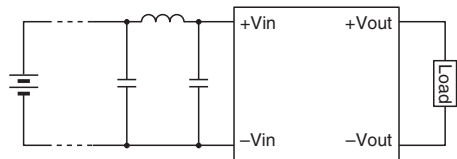


2-2. Input ripple noise

This series is equipped with a built-in capacitor for input. However, by connecting a capacitor with around 10µF, input ripple noise and input return noise can be reduced.



When the distance to the input of the converter from the input power supply is long, attach a capacitor as close as possible to the input terminal.

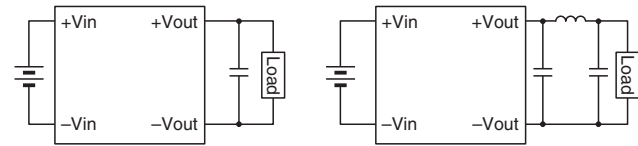


When the distance to the input of the converter from the input power supply is long, the impedance of the input line can become high, causing high spike noise.

In this case, it is recommended to connect a capacitor as close as possible to the input of the DC-DC converter.

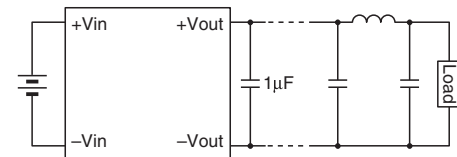
2-3. Output ripple & noise

To reduce Output ripple & noise, connect a capacitor to the output of the converter. In addition, reduction can be enhanced if a π type filter is incorporated as shown in the figure below. In this case, use of a coil with around 100µH is recommended.



When the distance to the load from the output of the converter is long, connect the capacitor as close as possible to the load.

To reduce output spike noise, connect a ceramic capacitor with around 1µF to the output of the converter.



2-4. Capacity of external capacitor connected to output

Note that if a capacitor with capacity over the value shown in the table below is connected to the output, or several capacitors with low impedance are connected in parallel, operation of the converter may become unstable.

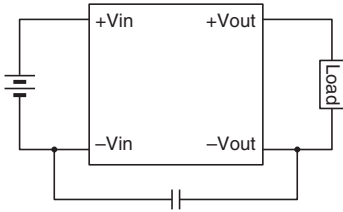
| Model name | Electrostatic capacitance (µF) max. |
|----------------|-------------------------------------|
| CC1R5-xx03Sx-E | 100 |
| CC1R5-xx05Sx-E | 100 |
| CC1R5-xx12Sx-E | 47 |
| CC1R5-xx12Dx-E | 22 |
| CC3-xx03Sx-E | 220 |
| CC3-xx05Sx-E | 220 |
| CC3-xx12Sx-E | 100 |
| CC3-xx12Dx-E | 47 |
| CC6-xx03Sx-E | 470 |
| CC6-xx05Sx-E | 470 |
| CC6-xx12Sx-E | 220 |
| CC6-xx12Dx-E | 100 |
| CC10-xx03Sx-E | 470 |
| CC10-xx05Sx-E | 470 |
| CC10-xx12Sx-E | 220 |
| CC10-xx12Dx-E | 100 |
| CC15-24xxSx-E | 470 |
| CC25-24xxSx-E | 470 |

2-5. Common mode noise

For products other than with 10W, capacitors are not connected between the primary GND and the secondary GND. To reduce common mode noise, connect a capacitor with around 1000pF between the primary GND and the secondary GND, as shown in the figure below.

In this case, note that if the capacitor that is connected is too large, coupling capacitance between input and output becomes large.

Also be careful about the withstand voltage of the capacitor (500V or over is desirable with consideration of the insulation withstand voltage).



For products with 10W, capacitors with 1000pF are internally connected between primary and secondary.

2-6. Radiation noise

Radiation noise of the converter can be reduced by connecting the case terminal to the input or output GND terminal. The effectiveness varies depending on the device. Check it on the actual device.

Regarding wiring, use GND line and solid pattern for the bottom of the converter as much as possible.

- SMD models are not equipped with case terminals.

3. Soldering conditions/Cleaning conditions

3-1. Soldering conditions

●Soldering conditions

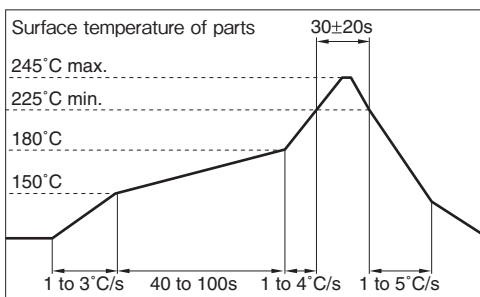
DIP models / SIP models

Observe the following conditions in soldering board.

| | |
|------------------|-----------------|
| Solder dip | 260°C, 10s max. |
| Soldering copper | 380°C, 3s max. |

SMD models

Lead-free soldering / High-temperature reflow process



3-2. Cleaning method

Board cleaning after soldering is not recommended. However, the cleaning fluids and conditions shown in the table below have been tested and proved to have no problem. These fluids and conditions can be used.

Cleaning fluids and test conditions

Cleanthrough 750H

- (1) Cleaning (shaking) at 60°C for 4 minutes
- (2) Rinsing (shaking in water) at 60°C for 4 minutes
- (3) Rinsing (shaking in water) at ordinary temperature - 40°C for 4 minutes
- (4) Drying at 70°C for 6 minutes

Pine alpha ST100S

- (1) Cleaning (shaking) at 60°C for 5 minutes
- (2) Rinsing (shaking in water) at 30°C for 3 minutes
- (3) Drying at 70°C for 6 minutes

Terpene Cleaner EC-7R

- (1) Cleaning (shaking) at 60°C for 5 minutes
- (2) Rinsing (shaking in IPA) at 30°C for 10 minutes
- (3) Drying at 70°C for 6 minutes

Isopropyl alcohol

- (1) Ultrasonic waves at 60°C for 1 minute
- (2) Cool bath cleaning R.T. for 1 minute
- (3) Vapor cleaning at 83°C for 1 minutes

Asahiklin AK-225AES

- (1) Ultrasonic waves at 50°C for 2 minutes
- (2) Cool bath cleaning R.T. for 2 minutes