



Is Now Part of



ON Semiconductor®

To learn more about ON Semiconductor, please visit our website at
www.onsemi.com

Please note: As part of the Fairchild Semiconductor integration, some of the Fairchild orderable part numbers will need to change in order to meet ON Semiconductor's system requirements. Since the ON Semiconductor product management systems do not have the ability to manage part nomenclature that utilizes an underscore (_), the underscore (_) in the Fairchild part numbers will be changed to a dash (-). This document may contain device numbers with an underscore (_). Please check the ON Semiconductor website to verify the updated device numbers. The most current and up-to-date ordering information can be found at www.onsemi.com. Please email any questions regarding the system integration to Fairchild_questions@onsemi.com.

ON Semiconductor and the ON Semiconductor logo are trademarks of Semiconductor Components Industries, LLC dba ON Semiconductor or its subsidiaries in the United States and/or other countries. ON Semiconductor owns the rights to a number of patents, trademarks, copyrights, trade secrets, and other intellectual property. A listing of ON Semiconductor's product/patent coverage may be accessed at www.onsemi.com/site/pdf/Patent-Marking.pdf. ON Semiconductor reserves the right to make changes without further notice to any products herein. ON Semiconductor makes no warranty, representation or guarantee regarding the suitability of its products for any particular purpose, nor does ON Semiconductor assume any liability arising out of the application or use of any product or circuit, and specifically disclaims any and all liability, including without limitation special, consequential or incidental damages. Buyer is responsible for its products and applications using ON Semiconductor products, including compliance with all laws, regulations and safety requirements or standards, regardless of any support or applications information provided by ON Semiconductor. "Typical" parameters which may be provided in ON Semiconductor data sheets and/or specifications can and do vary in different applications and actual performance may vary over time. All operating parameters, including "Typicals" must be validated for each customer application by customer's technical experts. ON Semiconductor does not convey any license under its patent rights nor the rights of others. ON Semiconductor products are not designed, intended, or authorized for use as a critical component in life support systems or any FDA Class 3 medical devices or medical devices with a same or similar classification in a foreign jurisdiction or any devices intended for implantation in the human body. Should Buyer purchase or use ON Semiconductor products for any such unintended or unauthorized application, Buyer shall indemnify and hold ON Semiconductor and its officers, employees, subsidiaries, affiliates, and distributors harmless against all claims, costs, damages, and expenses, and reasonable attorney fees arising out of, directly or indirectly, any claim of personal injury or death associated with such unintended or unauthorized use, even if such claim alleges that ON Semiconductor was negligent regarding the design or manufacture of the part. ON Semiconductor is an Equal Opportunity/Affirmative Action Employer. This literature is subject to all applicable copyright laws and is not for resale in any manner.

FSB50550AB

Smart Power Module (SPM®)

Features

- 500V $R_{DS(on)}=1.4\Omega(\text{max})$ 3-phase FRFET inverter including high voltage integrated circuit (HVIC)
- 3 divided negative dc-link terminals for inverter current sensing applications
- HVIC for gate driving and undervoltage protection
- 3/5V CMOS/TTL compatible, active-high interface
- Optimized for low electromagnetic interference
- Isolation voltage rating of 1500Vrms for 1min.
- HVIC temperature sensing
- Embedded bootstrap diode in the package
- RoHS compliant

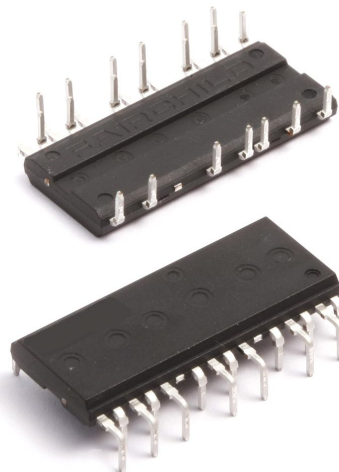


Applications

- Three-phase inverter driver for small power ac motor drives

General Description

FSB50550AB is a tiny smart power module (SPM®) based on FRFET technology as a compact inverter solution for small power motor drive applications such as fan motors and water suppliers. It is composed of 6 fast-recovery MOSFET (FRFET), and 3 half-bridge HVICs for FRFET gate driving. FSB50550AB provides low electromagnetic interference (EMI) characteristics with optimized switching speed. Moreover, since it employs FRFET as a power switch, it has much better ruggedness and larger safe operation area (SOA) than that of an IGBT-based power module or one-chip solution. The package is optimized for the thermal performance and compactness for the use in the built-in motor application and any other application where the assembly space is concerned. FSB50550AB is the best solution for the compact inverter providing the energy efficiency, compactness, and low electromagnetic interference.



Absolute Maximum Ratings

Inverter Part (Each FRFET Unless Otherwise Specified)

| Symbol | Parameter | Conditions | Rating | Units |
|--------------|--|---|--------|-----------|
| V_{PN} | DC Link Input Voltage, Drain-source Voltage of each FRFET | | 500 | V |
| * I_{D25} | Each FRFET Drain Current, Continuous | $T_C = 25^\circ\text{C}$ | 2.0 | A |
| * I_{D80} | Each FRFET Drain Current, Continuous | $T_C = 80^\circ\text{C}$ | 1.5 | A |
| * I_{DP} | Each FRFET Drain Current, Peak | $T_C = 25^\circ\text{C}$, $PW < 100\mu\text{s}$ | 5 | A |
| * I_{DRMS} | Each FRFET Drain Current, Rms | $T_C = 80^\circ\text{C}$, $F_{PWM} < 20\text{KHz}$ | 1.1 | A_{rms} |
| * P_D | Maximum Power Dissipation | $T_C = 25^\circ\text{C}$, For Each FRFET | 14.5 | W |

Control Part (Each HVIC Unless Otherwise Specified)

| Symbol | Parameter | Conditions | Rating | Units |
|----------|------------------------|----------------------------------|------------------------|-------|
| V_{CC} | Control Supply Voltage | Applied between V_{CC} and COM | 20 | V |
| V_{BS} | High-side Bias Voltage | Applied between V_B and V_S | 20 | V |
| V_{IN} | Input Signal Voltage | Applied between IN and COM | $-0.3 \sim V_{CC}+0.3$ | V |

Bootstrap Diode Part (Each Bootstrap diode Unless Otherwise Specified)

| Symbol | Parameter | Conditions | Rating | Units |
|-------------|------------------------------------|--|--------|-------|
| V_{RRMB} | Maximum Repetitive Reverse Voltage | | 500 | V |
| * I_{FB} | Forward Current | $T_C = 25^\circ\text{C}$ | 0.5 | A |
| * I_{FPB} | Forward Current (Peak) | $T_C = 25^\circ\text{C}$, Under 1ms Pulse Width | 1.5 | A |

Thermal Resistance

| Symbol | Parameter | Conditions | Rating | Units |
|-----------------|-------------------------------------|--|--------|--------------------|
| $R_{\theta JC}$ | Junction to Case Thermal Resistance | Each FRFET under inverter operating condition (Note 1) | 8.6 | $^\circ\text{C/W}$ |

Total System

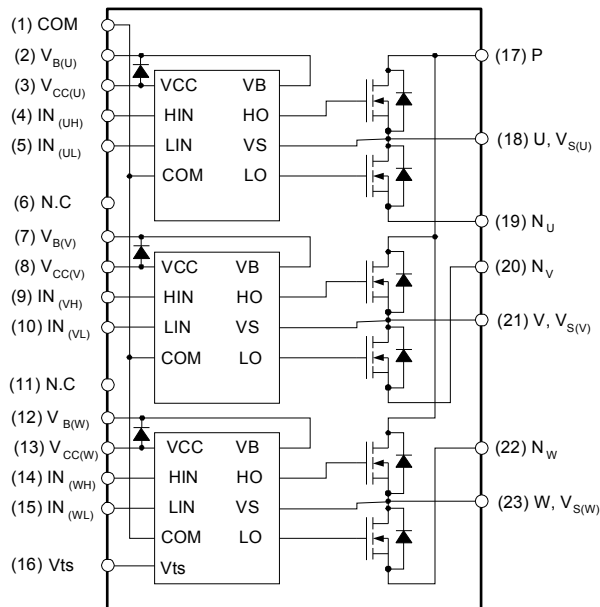
| Symbol | Parameter | Conditions | Rating | Units |
|-----------|--------------------------------|---|----------------|------------------|
| T_J | Operating Junction Temperature | | $-40 \sim 150$ | $^\circ\text{C}$ |
| T_{STG} | Storage Temperature | | $-40 \sim 125$ | $^\circ\text{C}$ |
| V_{ISO} | Isolation Voltage | 60Hz, Sinusoidal, 1 minute, Connection pins to heatsink | 1500 | V_{rms} |

Note:

- For the measurement point of case temperature T_C , please refer to Figure 4.
- Marking "*" is calculation value or design factor.

Pin descriptions

| Pin Number | Pin Name | Pin Description |
|------------|---------------|--|
| 1 | COM | IC Common Supply Ground |
| 2 | $V_{B(U)}$ | Bias Voltage for U Phase High Side FRFET Driving |
| 3 | $V_{CC(U)}$ | Bias Voltage for U Phase IC and Low Side FRFET Driving |
| 4 | $IN_{(UH)}$ | Signal Input for U Phase High-side |
| 5 | $IN_{(UL)}$ | Signal Input for U Phase Low-side |
| 6 | N.C | N.C |
| 7 | $V_{B(V)}$ | Bias Voltage for V Phase High Side FRFET Driving |
| 8 | $V_{CC(V)}$ | Bias Voltage for V Phase IC and Low Side FRFET Driving |
| 9 | $IN_{(VH)}$ | Signal Input for V Phase High-side |
| 10 | $IN_{(VL)}$ | Signal Input for V Phase Low-side |
| 11 | N.C | N.C |
| 12 | $V_{B(W)}$ | Bias Voltage for W Phase High Side FRFET Driving |
| 13 | $V_{CC(W)}$ | Bias Voltage for W Phase IC and Low Side FRFET Driving |
| 14 | $IN_{(WH)}$ | Signal Input for W Phase High-side |
| 15 | $IN_{(WL)}$ | Signal Input for W Phase Low-side |
| 16 | V_{ts} | Output for HVIC temperature sensing |
| 17 | P | Positive DC-Link Input |
| 18 | U, $V_{S(U)}$ | Output for U Phase & Bias Voltage Ground for High Side FRFET Driving |
| 19 | N_U | Negative DC-Link Input for U Phase |
| 20 | N_V | Negative DC-Link Input for V Phase |
| 21 | V, $V_{S(V)}$ | Output for V Phase & Bias Voltage Ground for High Side FRFET Driving |
| 22 | N_W | Negative DC-Link Input for W Phase |
| 23 | W, $V_{S(W)}$ | Output for W Phase & Bias Voltage Ground for High Side FRFET Driving |



Note:

Source terminal of each low-side MOSFET is not connected to supply ground or bias voltage ground inside SPM®. External connections should be made as indicated in Figure 3

Figure 1. Pin Configuration and Internal Block Diagram (Bottom View)

Electrical Characteristics (T_J = 25°C, V_{CC}=V_{BS}=15V Unless Otherwise Specified)

Inverter Part (Each FRFET Unless Otherwise Specified)

| Symbol | Parameter | Conditions | Min | Typ | Max | Units |
|---------------------|------------------------------------|---|-------------|-----|-----|-------|
| BV _{DSS} | Drain-Source Breakdown Voltage | V _{IN} = 0V, I _D = 1mA (Note 1) | 500 | - | - | V |
| I _{DSS} | Zero Gate Voltage Drain Current | V _{IN} = 0V, V _{DS} = 500V | - | - | 1 | mA |
| R _{DS(on)} | Static Drain-Source On-Resistance | V _{CC} = V _{BS} = 15V, V _{IN} = 5V, I _D = 1.2A | - | 1.0 | 1.4 | Ω |
| V _{SD} | Drain-Source Diode Forward Voltage | V _{CC} = V _{BS} = 15V, V _{IN} = 0V, I _D = -1.2A | - | - | 1.2 | V |
| t _{ON} | Switching Times | V _{PN} = 300V, V _{CC} = V _{BS} = 15V, I _D = 1.2A V _{IN} = 0V ↔ 5V, Inductive load L=3mH High- and low-side FRFET switching (Note 2) | - | 800 | - | ns |
| t _{OFF} | | | - | 500 | - | ns |
| t _{rr} | | | - | 140 | - | ns |
| E _{ON} | | | - | 90 | - | μJ |
| E _{OFF} | | | - | 10 | - | μJ |
| RBSOA | Reverse-bias Safe Operating Area | V _{PN} = 400V, V _{CC} = V _{BS} = 15V, I _D = I _{DP} , V _{DS} =BV _{DSS} , T _J = 150°C High- and low-side FRFET switching (Note 3) | Full Square | | | |

Control Part (Each HVIC Unless Otherwise Specified)

| Symbol | Parameter | Conditions | Min | Typ | Max | Units |
|-------------------|--|---|-----|-----|-----|-------|
| I _{QCC} | Quiescent V _{CC} Current | V _{CC} =15V, V _{IN} =0V Applied between V _{CC} and COM | - | - | 200 | μA |
| I _{QBS} | Quiescent V _{BS} Current | V _{BS} =15V, V _{IN} =0V Applied between V _{B(U)} -U, V _{B(V)} -V, V _{B(W)} -W | - | - | 100 | μA |
| UV _{CCD} | Low-side Undervoltage Protection (Figure 8) | V _{CC} Undervoltage Protection Detection Level | 7.4 | 8.0 | 9.4 | V |
| UV _{CCR} | | V _{CC} Undervoltage Protection Reset Level | 8.0 | 8.9 | 9.8 | V |
| UV _{BSD} | High-side Undervoltage Protection (Figure 9) | V _{BS} Undervoltage Protection Detection Level | 7.4 | 8.0 | 9.4 | V |
| UV _{BSR} | | V _{BS} Undervoltage Protection Reset Level | 8.0 | 8.9 | 9.8 | V |
| V _{ts} | HVIC Temperature sensing voltage output | V _{CC} =15V, T _{HVIC} =25°C(Note 4) | 600 | 790 | 980 | mV |
| V _{IH} | ON Threshold Voltage | Logic High Level rowspan="2">Applied between IN and COM | 2.9 | - | - | V |
| V _{IL} | OFF Threshold Voltage | Logic Low Level | - | - | 0.8 | V |

Bootstrap Diode Part (Each Bootstrap diode Unless Otherwise Specified)

| Symbol | Parameter | Conditions | Min | Typ | Max | Units |
|------------------|-----------------------|--|-----|-----|-----|-------|
| V _{FB} | Forward Voltage | I _F = 0.1A, T _C = 25°C(Note 5) | - | 2.5 | - | V |
| t _{rrB} | Reverse Recovery Time | I _F = 0.1A, T _C = 25°C | - | 80 | - | ns |

Note:

- BV_{DSS} is the absolute maximum voltage rating between drain and source terminal of each FRFET inside SPM®. V_{PN} should be sufficiently less than this value considering the effect of the stray inductance so that V_{DS} should not exceed BV_{DSS} in any case.
- t_{ON} and t_{OFF} include the propagation delay time of the internal drive IC. Listed values are measured at the laboratory test condition, and they can be different according to the field applications due to the effect of different printed circuit boards and wirings. Please see Figure 6 for the switching time definition with the switching test circuit of Figure 7.
- The peak current and voltage of each FRFET during the switching operation should be included in the safe operating area (SOA). Please see Figure 7 for the RBSOA test circuit that is same as the switching test circuit.
- V_{ts} is only for sensing temperature of module and cannot shutdown MOSFETs automatically.
- Built in bootstrap diode includes around 15Ω resistance characteristic. Please refer to Figure 2.

Recommended Operating Condition

| Symbol | Parameter | Conditions | Value | | | Units |
|---------------|--|---|-------|------|----------|---------|
| | | | Min. | Typ. | Max. | |
| V_{PN} | Supply Voltage | Applied between P and N | - | 300 | 400 | V |
| V_{CC} | Control Supply Voltage | Applied between V_{CC} and COM | 13.5 | 15 | 16.5 | V |
| V_{BS} | High-side Bias Voltage | Applied between V_B and V_S | 13.5 | 15 | 16.5 | V |
| $V_{IN(ON)}$ | Input ON Threshold Voltage | Applied between IN and COM | 3.0 | - | V_{CC} | V |
| $V_{IN(OFF)}$ | Input OFF Threshold Voltage | | 0 | - | 0.6 | V |
| t_{dead} | Blanking Time for Preventing Arm-short | $V_{CC}=V_{BS}=13.5 \sim 16.5V, T_J \leq 150^\circ C$ | 1.0 | - | - | μs |
| f_{PWM} | PWM Switching Frequency | $T_J \leq 150^\circ C$ | - | 15 | - | kHz |

Package Marking & Ordering Information

| Device Marking | Device | Package | Reel Size | Packing Type | Quantity |
|----------------|------------|-------------|-----------|--------------|----------|
| FSB50550AB | FSB50550AB | SPM23DD-21L | - | - | 15 |

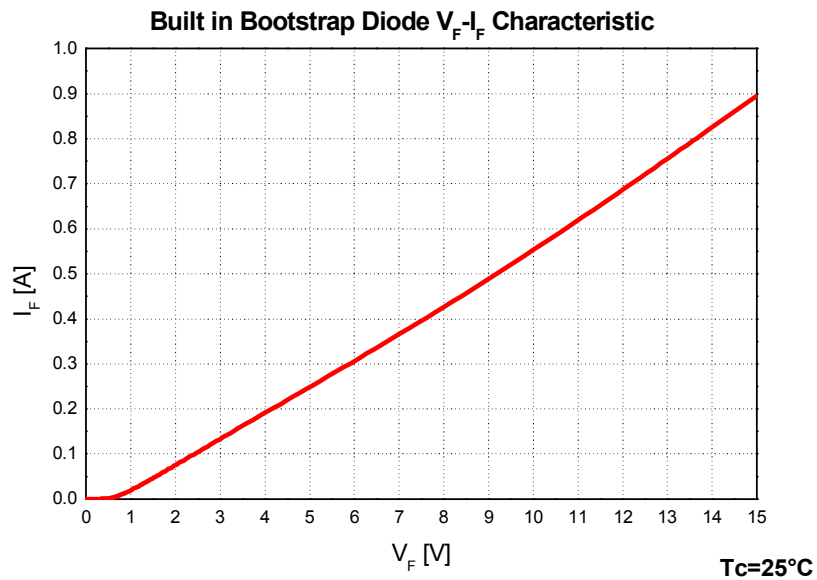
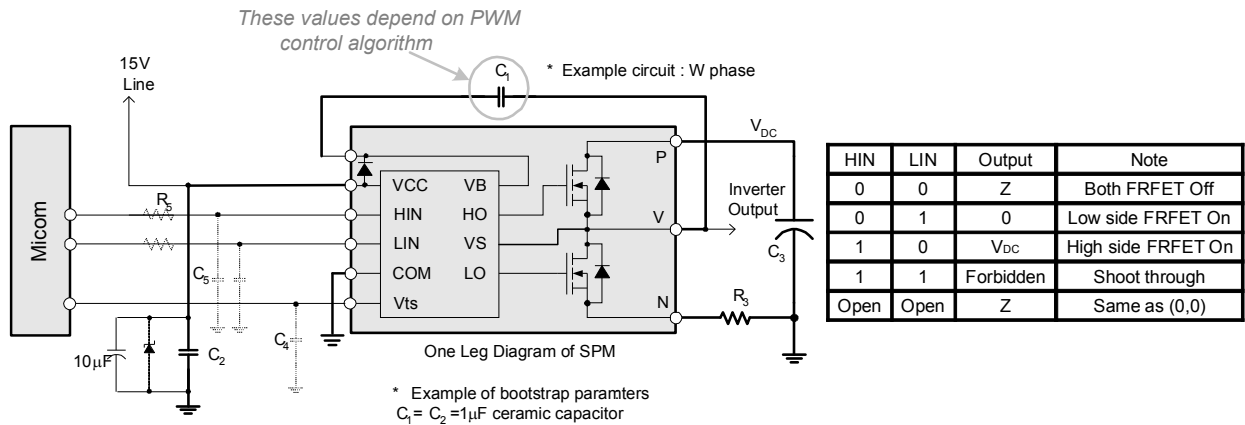


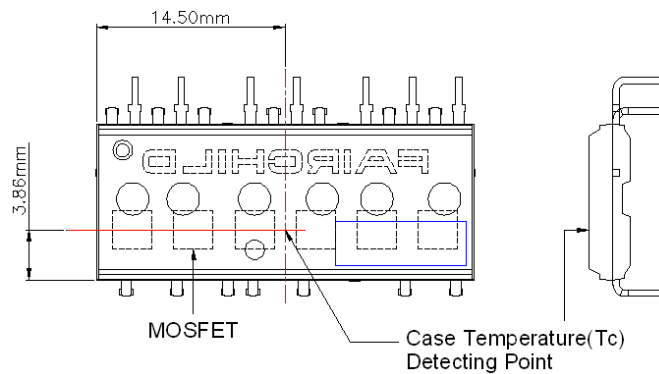
Figure 2. Built in Bootstrap Diode Characteristics(typ.)



Note:

- Parameters for bootstrap circuit elements are dependent on PWM algorithm. For 15 kHz of switching frequency, typical example of parameters is shown above.
- RC coupling (R₅ and C₅) and C₄ at each input of SPM® and Microm (indicated as dotted lines) may be used to prevent improper signal due to surge noise. Signal input of SPM® is compatible with standard CMOS or LSTTL outputs.
- Bold lines should be short and thick in PCB pattern to have small stray inductance of circuit, which results in the reduction of surge voltage. Bypass capacitors such as C₁, C₂ and C₃ should have good high-frequency characteristics to absorb high-frequency ripple current.

Figure 3. Recommended CPU Interface and Bootstrap Circuit with Parameters



Note:

Attach the thermocouple on top of the heatsink-side of SPM® (between SPM® and heatsink if applied) to get the correct temperature measurement.

Figure 4. Case Temperature Measurement

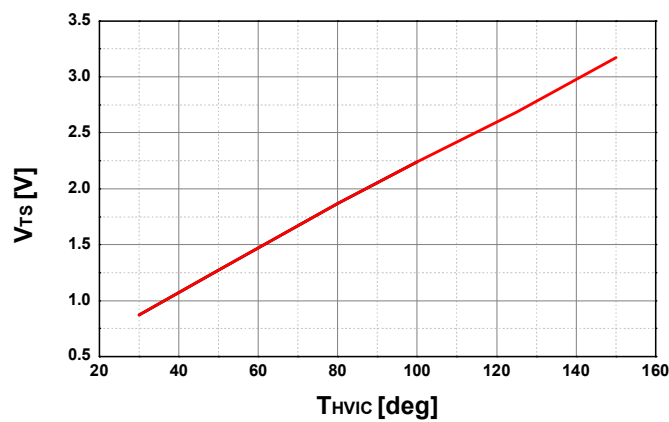
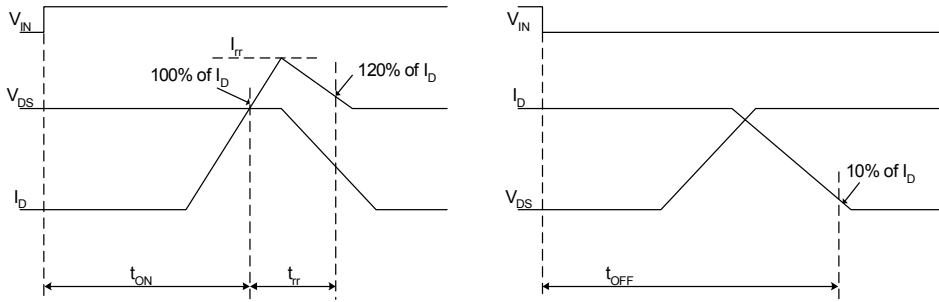


Figure 5. Temperature profile of V_{ts} (typ.)



(a) Turn-on (b) Turn-off
Figure 6. Switching Time Definition

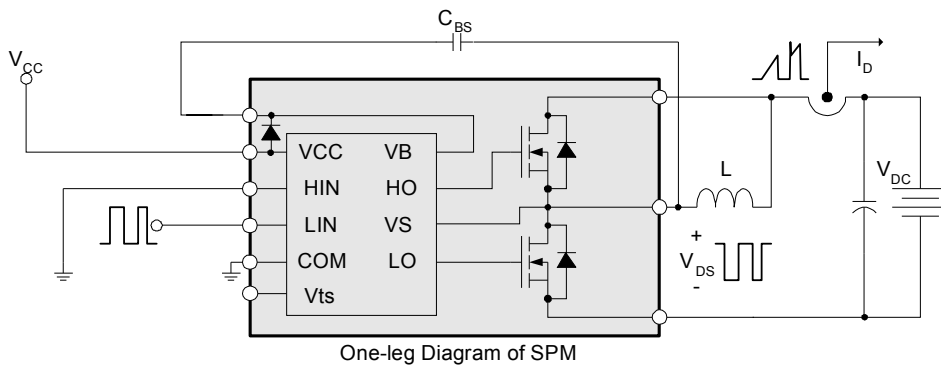


Figure 7. Switching and RBSOA(Single-pulse) Test Circuit (Low-side)

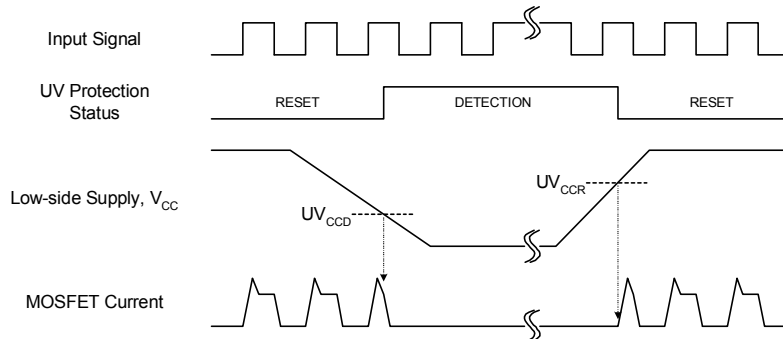


Figure 8. Undervoltage Protection (Low-side)

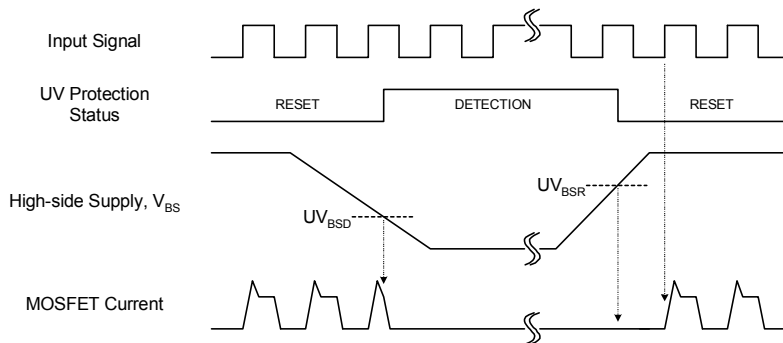
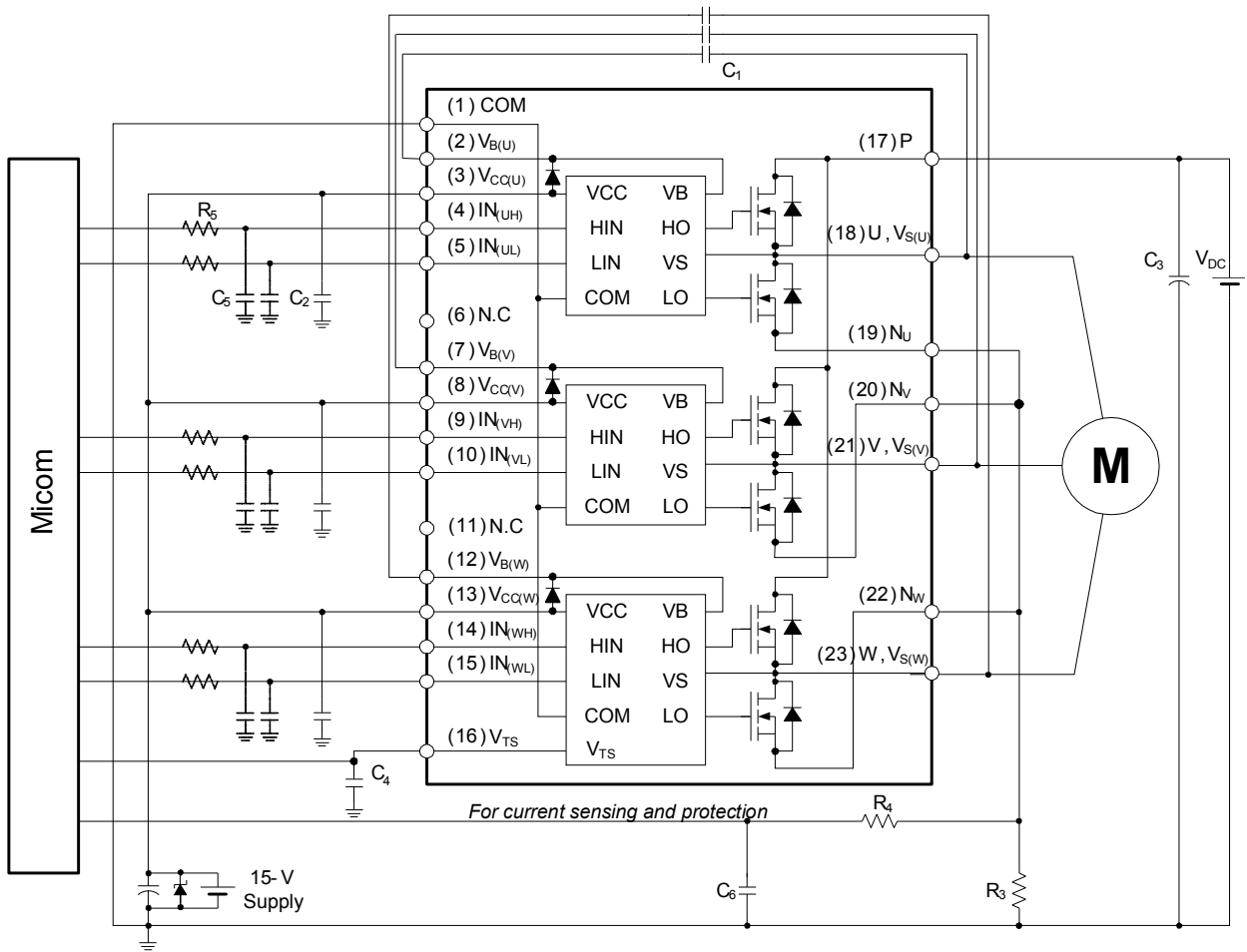


Figure 9. Undervoltage Protection (High-side)

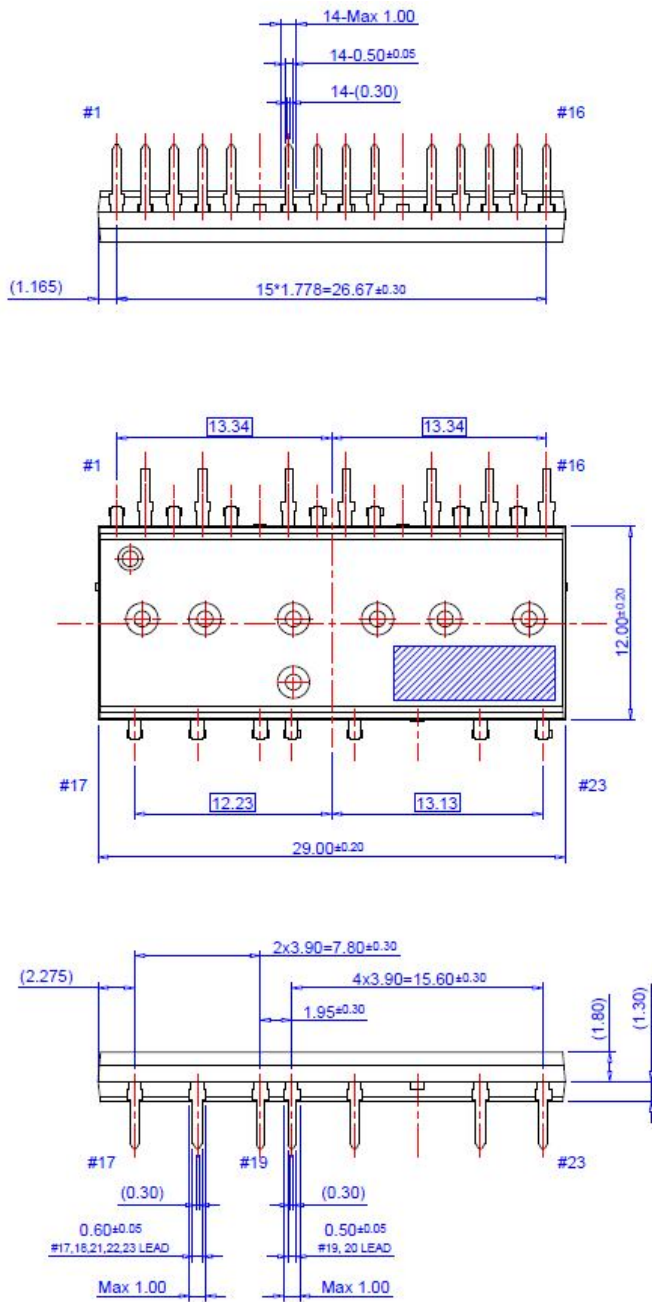


Note:

1. About pin position, refer to Figure 2.
2. RC coupling (R_5 and C_5 , R_4 and C_4) at each input of SPM® and Microm are useful to prevent improper input signal caused by surge noise.
3. The voltage drop across R_3 affects the low side switching performance and the bootstrap characteristics since it is placed between COM and the source terminal of the low side MOSFET. For this reason, the voltage drop across R_3 should be less than 1V in the steady-state.
4. Ground wires and output terminals, should be thick and short in order to avoid surge voltage and malfunction of HVIC.
5. All the filter capacitors should be connected close to SPM®, and they should have good characteristics for rejecting high-frequency ripple current.

Figure 10. Example of Application Circuit

Detailed Package Outline Drawings









Dimension unit : [mm]



TRADEMARKS

The following includes registered and unregistered trademarks and service marks, owned by Fairchild Semiconductor and/or its global subsidiaries, and is not intended to be an exhaustive list of all such trademarks.

- | | | | |
|---|---|---|---|
| Build it Now™ | FRFET® | Programmable Active Droop™ | the power franchise |
| CorePLUS™ | Global Power Resource™ | QFET® | TinyBoost™ |
| CorePOWER™ | Green FPS™ | QS™ | TinyBuck™ |
| CROSSVOLT™ | Green FPS™ e-Series™ | Quiet Series™ | TinyLogic® |
| CTL™ | GTO™ | RapidConfigure™ | TINYOPTO™ |
| Current Transfer Logic™ | IntelliMAX™ |  ™ | TinyPower™ |
| EcoSPARK® | ISOPLANAR™ | Saving our world, 1mW /W /kW at a time™ | TinyPWM™ |
| EfficientMax™ | MegaBuck™ | SmartMax™ | TinyWire™ |
| EZSWITCH™ * | MICROCOUPLER™ | SMART START™ | TriFault Detect™ |
|  ™ | MicroFET™ | SPM® | μSerDes™ |
|  ™ | MicroPak™ | STEALTH™ |  ™ |
| Fairchild® | MillerDrive™ | SuperFET™ | UHC® |
| Fairchild Semiconductor® | MotionMax™ | SuperSOT™_3 | Ultra FRFET™ |
| FACT Quiet Series™ | Motion-SPM™ | SuperSOT™_6 | UniFET™ |
| FACT® | OPTOLOGIC® | SuperSOT™_8 | VCX™ |
| FAST® | OPTOPLANAR® | SupreMOS™ | VisualMax™ |
| FastvCore™ |  ® | SyncFET™ | XS™ |
| FlashWriter® * | PDP SPM™ |  ™ | |
| FPS™ | Power-SPM™ | The Power Franchise® | |
| F-PFS™ | PowerTrench® | | |
| | PowerXS™ | | |

* EZSWITCH™ and FlashWriter® are trademarks of System General Corporation, used under license by Fairchild Semiconductor.

DISCLAIMER

FAIRCHILD SEMICONDUCTOR RESERVES THE RIGHT TO MAKE CHANGES WITHOUT FURTHER NOTICE TO ANY PRODUCTS HEREIN TO IMPROVE RELIABILITY, FUNCTION, OR DESIGN. FAIRCHILD DOES NOT ASSUME ANY LIABILITY ARISING OUT OF THE APPLICATION OR USE OF ANY PRODUCT OR CIRCUIT DESCRIBED HEREIN; NEITHER DOES IT CONVEY ANY LICENSE UNDER ITS PATENT RIGHTS, NOR THE RIGHTS OF OTHERS. THESE SPECIFICATIONS DO NOT EXPAND THE TERMS OF FAIRCHILD'S WORLDWIDE TERMS AND CONDITIONS, SPECIFICALLY THE WARRANTY THEREIN, WHICH COVERS THESE PRODUCTS.

LIFE SUPPORT POLICY

FAIRCHILD'S PRODUCTS ARE NOT AUTHORIZED FOR USE AS CRITICAL COMPONENTS IN LIFE SUPPORT DEVICES OR SYSTEMS WITHOUT THE EXPRESS WRITTEN APPROVAL OF FAIRCHILD SEMICONDUCTOR CORPORATION.

As used herein:

- Life support devices or systems are devices or systems which, (a) are intended for surgical implant into the body or (b) support or sustain life, and (c) whose failure to perform when properly used in accordance with instructions for use provided in the labeling, can be reasonably expected to result in a significant injury of the user.
- A critical component in any component of a life support, device, or system whose failure to perform can be reasonably expected to cause the failure of the life support device or system, or to affect its safety or effectiveness.

ANTI-COUNTERFEITING POLICY

Fairchild Semiconductor Corporation's Anti-Counterfeiting Policy. Fairchild's Anti-Counterfeiting Policy is also stated on our external website, www.fairchildsemi.com, under Sales Support.

Counterfeiting of semiconductor parts is a growing problem in the industry. All manufactures of semiconductor products are experiencing counterfeiting of their parts. Customers who inadvertently purchase counterfeit parts experience many problems such as loss of brand reputation, substandard performance, failed application, and increased cost of production and manufacturing delays. Fairchild is taking strong measures to protect ourselves and our customers from the proliferation of counterfeit parts. Fairchild strongly encourages customers to purchase Fairchild parts either directly from Fairchild or from Authorized Fairchild Distributors who are listed by country on our web page cited above. Products customers buy either from fairchild directly or from Authorized Fairchild Distributors are genuine parts, have full traceability, meet Fairchild's quality standards for handling and storage and provide access to Fairchild's full range of up-to-date technical and product information. Fairchild and our Authorized Distributors will stand behind all warranties and will appropriately address and warranty issues that may arise. Fairchild will not provide any warranty coverage or other assistance for parts bought from Unauthorized Sources. Fairchild is committed to combat this global problem and encourage our customers to do their part in stopping this practice by buying direct or from authorized distributors.

PRODUCT STATUS DEFINITIONS

Definition of Terms

| Datasheet Identification | Product Status | Definition |
|--------------------------|-----------------------|---|
| Advance Information | Formative / In Design | Datasheet contains the design specifications for product development. Specifications may change in any manner without notice. |
| Preliminary | First Production | Datasheet contains preliminary data; supplementary data will be published at a later date. Fairchild Semiconductor reserves the right to make changes at any time without notice to improve design. |
| No Identification Needed | Full Production | Datasheet contains final specifications. Fairchild Semiconductor reserves the right to make changes at any time without notice to improve the design. |
| Obsolete | Not In Production | Datasheet contains specifications on a product that is discontinued by Fairchild Semiconductor. The datasheet is for reference information only. |

Rev. I38

ON Semiconductor and  are trademarks of Semiconductor Components Industries, LLC dba ON Semiconductor or its subsidiaries in the United States and/or other countries. ON Semiconductor owns the rights to a number of patents, trademarks, copyrights, trade secrets, and other intellectual property. A listing of ON Semiconductor's product/patent coverage may be accessed at www.onsemi.com/site/pdf/Patent-Marking.pdf. ON Semiconductor reserves the right to make changes without further notice to any products herein. ON Semiconductor makes no warranty, representation or guarantee regarding the suitability of its products for any particular purpose, nor does ON Semiconductor assume any liability arising out of the application or use of any product or circuit, and specifically disclaims any and all liability, including without limitation special, consequential or incidental damages. Buyer is responsible for its products and applications using ON Semiconductor products, including compliance with all laws, regulations and safety requirements or standards, regardless of any support or applications information provided by ON Semiconductor. "Typical" parameters which may be provided in ON Semiconductor data sheets and/or specifications can and do vary in different applications and actual performance may vary over time. All operating parameters, including "Typicals" must be validated for each customer application by customer's technical experts. ON Semiconductor does not convey any license under its patent rights nor the rights of others. ON Semiconductor products are not designed, intended, or authorized for use as a critical component in life support systems or any FDA Class 3 medical devices or medical devices with a same or similar classification in a foreign jurisdiction or any devices intended for implantation in the human body. Should Buyer purchase or use ON Semiconductor products for any such unintended or unauthorized application, Buyer shall indemnify and hold ON Semiconductor and its officers, employees, subsidiaries, affiliates, and distributors harmless against all claims, costs, damages, and expenses, and reasonable attorney fees arising out of, directly or indirectly, any claim of personal injury or death associated with such unintended or unauthorized use, even if such claim alleges that ON Semiconductor was negligent regarding the design or manufacture of the part. ON Semiconductor is an Equal Opportunity/Affirmative Action Employer. This literature is subject to all applicable copyright laws and is not for resale in any manner.

PUBLICATION ORDERING INFORMATION

LITERATURE FULFILLMENT:

Literature Distribution Center for ON Semiconductor
19521 E. 32nd Pkwy, Aurora, Colorado 80011 USA
Phone: 303-675-2175 or 800-344-3860 Toll Free USA/Canada
Fax: 303-675-2176 or 800-344-3867 Toll Free USA/Canada
Email: orderlit@onsemi.com

N. American Technical Support: 800-282-9855 Toll Free
USA/Canada
Europe, Middle East and Africa Technical Support:
Phone: 421 33 790 2910
Japan Customer Focus Center
Phone: 81-3-5817-1050

ON Semiconductor Website: www.onsemi.com
Order Literature: <http://www.onsemi.com/orderlit>
For additional information, please contact your local
Sales Representative