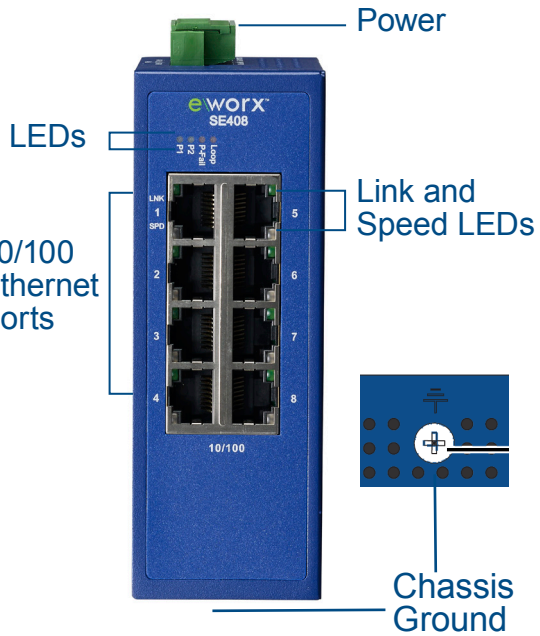
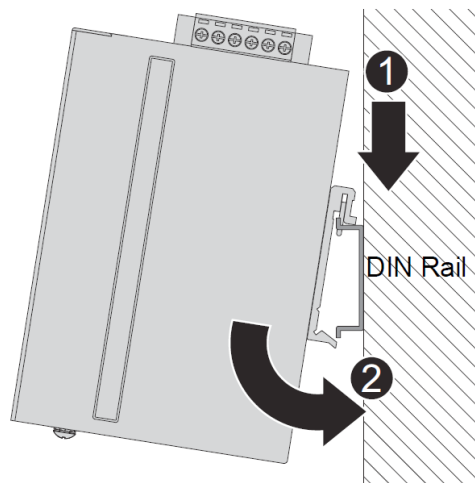


# Product Overview

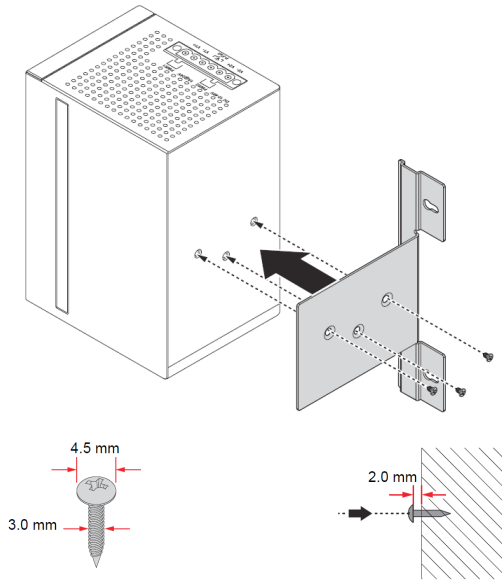


## 1 Hardware Installation

### DIN Rail Mounting

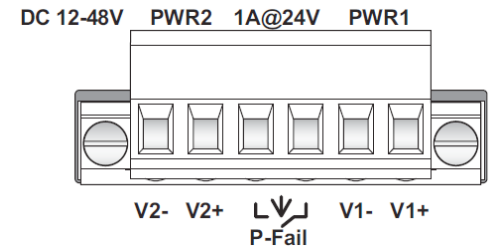


## Wall Mounting



## 2 Terminal Blocks

Terminal	Description
V2-	Power Input 2 (DC Ground)
V2+	Power Input 2 (12 to 48VDC)
P-Fail	Power Fault Relay
P-Fail	Power Fault Relay
V1-	Power Input 1 (DC Ground)
V1+	Power Input 1 (12 to 48VDC)



Wire Gauge: 12-24 AWG (3.31 - 0.205 mm<sup>2</sup>).  
Torque: 7lb-in.

**NOTE:** P-Fail Relay is closed if both power input ports are powered. The default is open.

## 3 LED Status

LED	Status	Description
P1	Green	Power Applied
	Off	No Power
P2	Green	Power Applied
	Off	No Power
P-Fail	Red	Power is applied to one input but not both inputs
	Off	No Power or Power is applied to both inputs
Loop	Red	Loop detected
	Off	No loop detected
LNK	Solid	Link established
	Blinking	Data present
	Off	Not connected to Network
SPD	Amber	100M speed
	Off	10M speed

## Default Settings

IP Address: 192.168.1.1  
Subnet mask: 255.255.255.0  
Default gateway: 192.168.1.254  
Username: admin  
Password: admin

## Troubleshooting

If no LEDs light, verify that the power supply connections are solid and that power is present on the output of the power supply.

Use the LED table to verify that power is present, a link is established, data is being transmitted, and to verify port speed.

If data does not pass and cable connections have been verified, contact your Network Administrator to validate that the network connection is good.

The user manual can be found in the documentation and download section of the product web page.

- First, go to [www.advantech-bb.com](http://www.advantech-bb.com).
- Second, search for the model number.
- Finally, go to the documentation/download section of that product page to download files.

## Product Information

MODEL #	DESCRIPTION	TEMP RATING
SE408-T	8-port 10/100Mbps Industrial Managed Ethernet Switch	-40 ~ 75°C
SE408	8-port 10/100Mbps Industrial Managed Ethernet Switch	-10 ~ 60°C
SE408-EI-T	8-port 10/100Mbps EtherNet/IP Industrial Managed Ethernet Switch	-40 ~ 75°C
SE408-PN-T	8-port 10/100Mbps PROFINET Industrial Managed Ethernet Switch	-40 ~ 75°C
SE408-PNMA-T	8-port 10/100Mbps PROFINET (MRP Master) Industrial Managed Ethernet Switch	-40 ~ 75°C

Document number – SE408xxx\_4216qsg

## Recommended Accessories

**MDR-40-24**  
Power Supply



**C5UMB3FBG**  
Ethernet Cables



**B+B SMARTWORX**

Powered by

**ADVANTECH**

1-888-948-2248 | Europe: +353 91 792444

[advantech-bb.com](http://advantech-bb.com)

707 Dayton Road | PO Box 1040 | Ottawa, IL 61350  
Phone: 815-433-5100 | Fax: 815-433-5109  
[www.advantech-bb.com](http://www.advantech-bb.com) | E-mail: [support@advantech-bb.com](mailto:support@advantech-bb.com)

## QUICK START GUIDE



**SE408xxx**

Industrial Ethernet Switches

Before you begin, be sure you have the following:

- + Ethernet Switch
- + DIN Rail Mount Bracket (Installed)
- + Wall Mount Bracket
- + Power Supply (Required not included)

**B+B SMARTWORX**

Powered by

**ADVANTECH**

Fast and easy on the web: [www.advantech-bb.com](http://www.advantech-bb.com)