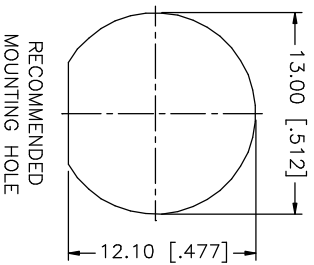
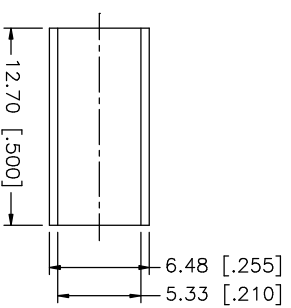
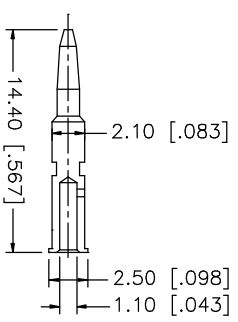
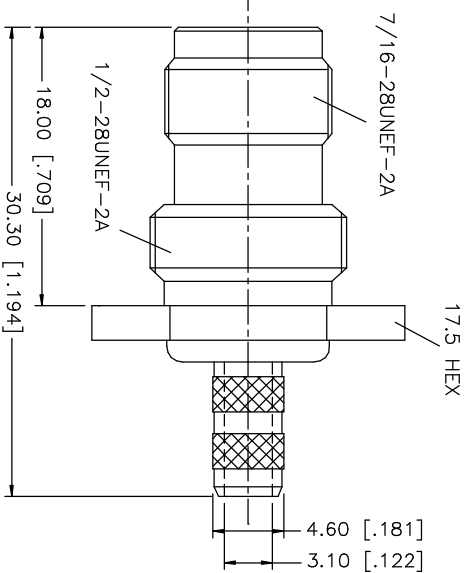
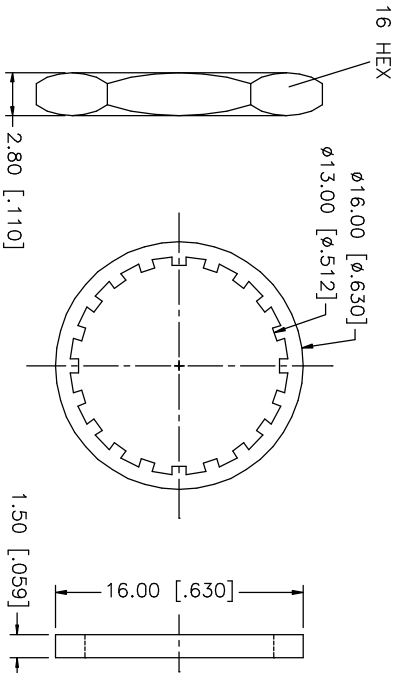
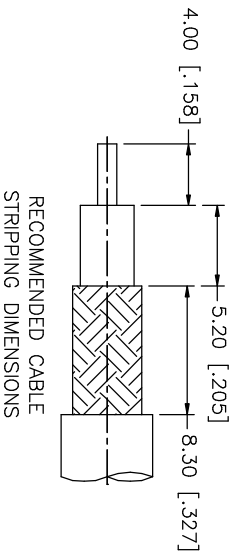


REV.	DATE	DESCRIPTION
NC	06/05/03	INITIAL RELEASE



- NOTES:
1. CRIMPED FERRULE HEX CRIMP SIZE .213"
 2. CRIMPED CONTACT PIN HEX CRIMP SIZE .068"

QTY	FINISH	MATERIAL	DESCRIPTION
1	NICKEL	COPPER	FERRULE
1	RED	RUBBER	GASKET
1	NICKEL	BRASS	HEX NUT
1	NICKEL	BRASS	LOCKWASHER
1	GOLD	BRASS	CONTACT PIN
1	NATURAL	TEFLON	INSULATOR
1	NICKEL	BRASS	BODY

APPROVALS	DATE
DRAWN G.R.S.	06/05/03
CHECKED	
ISSUED	
SHEET 1 OF 1	

PART NO.	DESCRIPTION
122160RP	TNC REVERSE POLARITY BULKHEAD CRIMP JACK (FOR RG-58/U, 58C/U CABLE)

DWG. NO.	REV. NC	SIZE	SCALE
122160RP.DWG		A	NA

DO NOT SCALE DRAWING	UNLESS OTHERWISE SPECIFIED DIMENSIONS ARE IN MILLIMETERS. DIMENSIONS IN [] ARE IN INCHES AND FOR CUSTOMER REFERENCE ONLY.
UNLESS OTHERWISE SPECIFIED TOLERANCES FOR MILLIMETERS ARE: 0.5 - 8mm ± 0.20mm 8 - 30mm ± 0.40mm 30 - 120mm ± 0.50mm	UNLESS OTHERWISE SPECIFIED TOLERANCES FOR INCHES ARE: .020 - .315 = ± 0.007" .315 - 1.180 = ± 0.015" 1.180 - 4.724 = ± 0.020"

Amphenol Connex