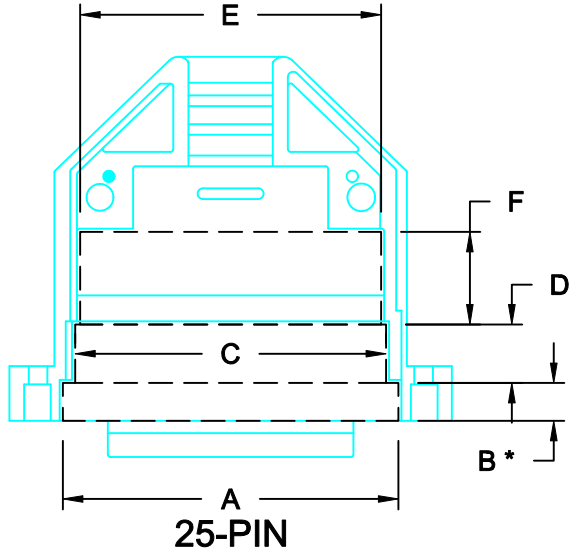
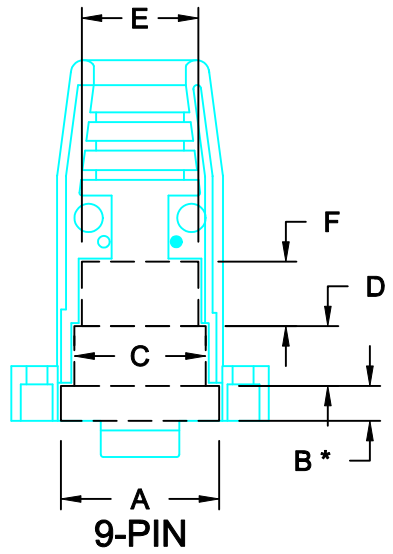


DIMENSIONS (IN.)					
	9	15	25	37	50
A	0.754	1.089	1.599	2.288	2.170
B*	0.167	0.181	0.181	0.176	0.157
C	0.626	0.954	1.481	2.138	2.033
D	0.285	0.274	0.279	0.278	0.289
E	0.555	0.884	1.434	2.104	2.003
F	0.308	0.329	0.442	0.444	0.446
PCB	X	0.416	0.411	0.396	0.488



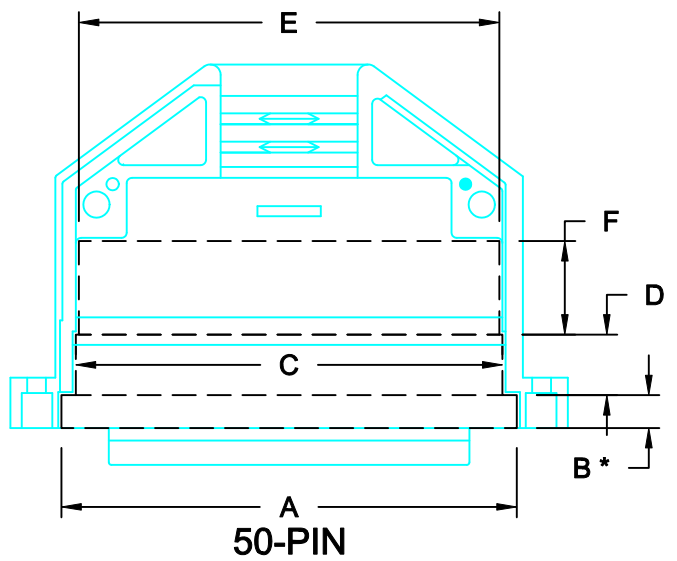
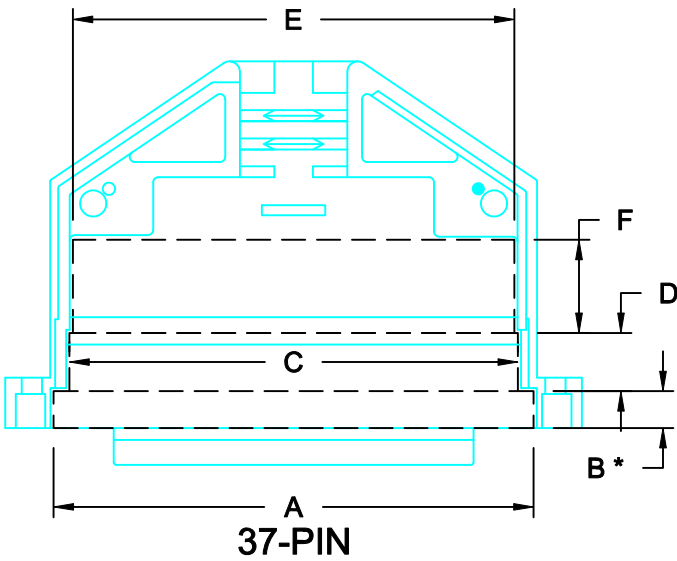
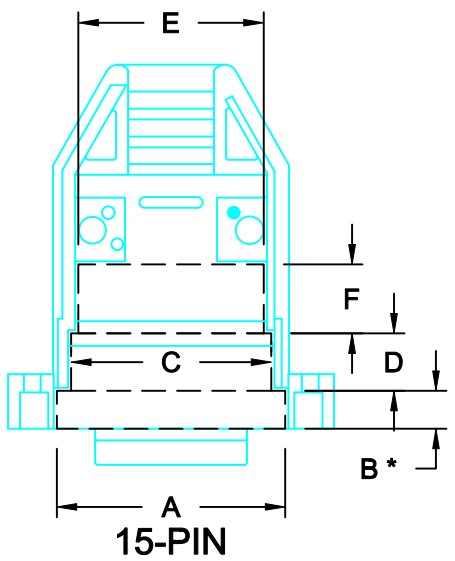
SEE NOTE 1. →

SEE NOTE 2. →

NOTE:

- "B" DIMENSION MEASURED FROM BACK SIDE OF CONNECTOR FLANGE
- MIN. SAFE SPACING BETWEEN BACK SHELLS FOR PCB AND MOUNTED COMPONENTS
- THESE DIMENSIONS ARE GOOD FOR THE PLASTIC AND METALIZED PLASTIC BACK SHELLS

PLASTIC & METALIZED PLASTIC



THESE DRAWINGS AND SPECIFICATIONS ARE THE PROPERTY OF NorComp AND SHALL NOT BE REPRODUCED, COPIED OR USED AS THE BASIS FOR THE MANUFACTURE OF SALE OF APPARATUS WITHOUT WRITTEN PERMISSION.

DRAWN: C. SMITH		DATE: 07-11-06	
CHECKED: X		DATE: X	
SCALE: N.T.S.	SHEET 1	OF 2	REV 1
DWG NO. ID - 979 SERIES			

NorComp

RoHS COMPLIANT

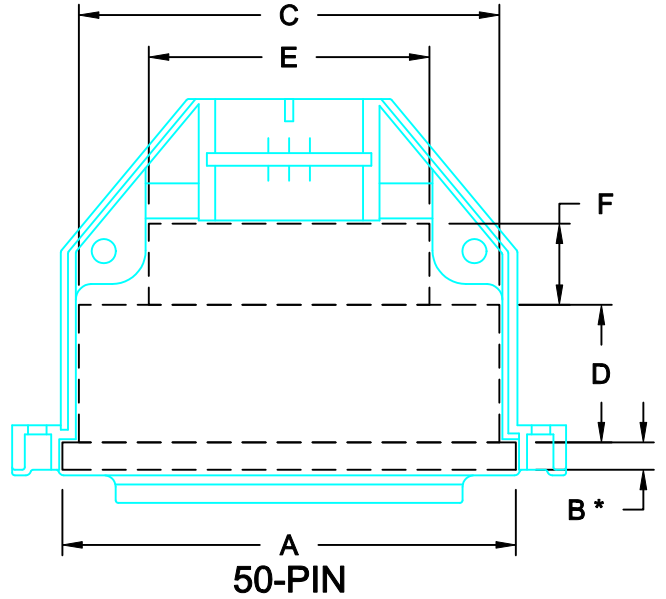
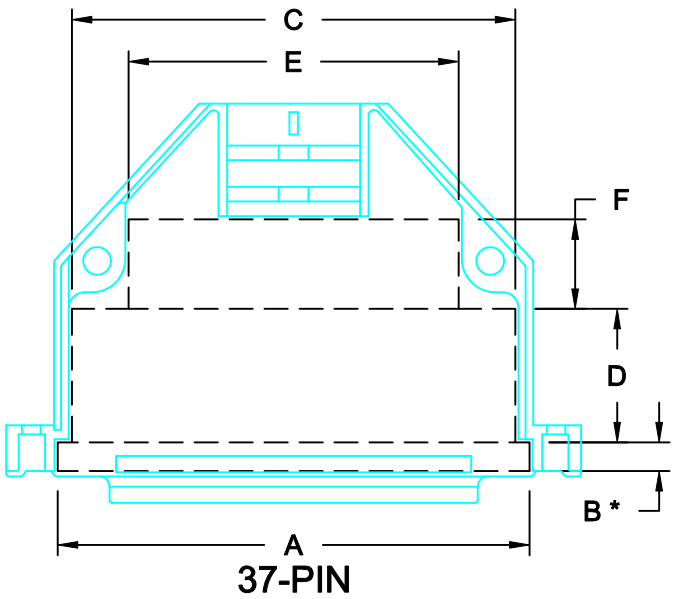
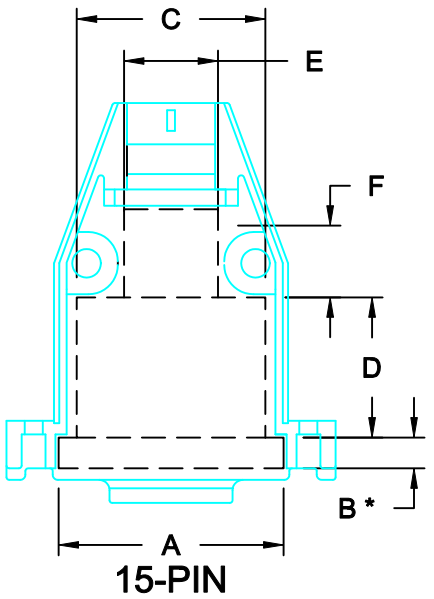
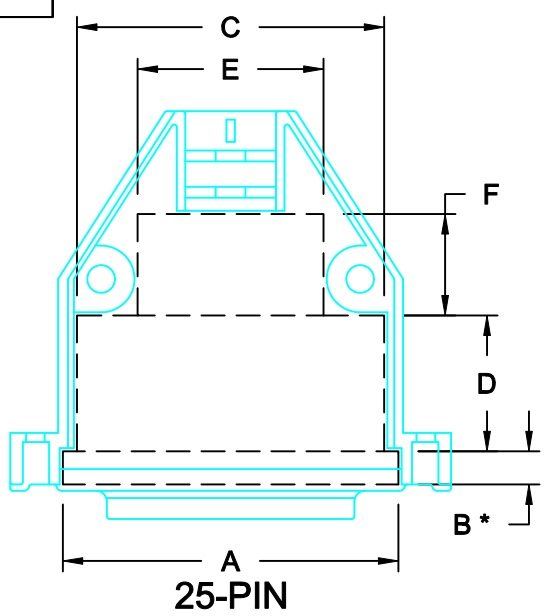
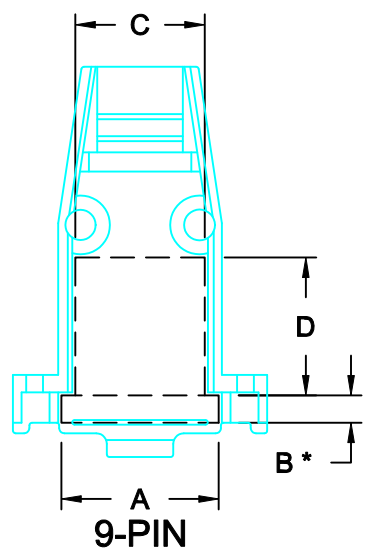
DESCRIPTION: INTERNAL DIMENSIONS - DIE CAST

		DIMENSIONS (IN.)				
		9	15	25	37	50
SEE NOTE 1.	A	0.750	1.072	1.599	2.248	2.161
	B*	0.130	0.140	0.159	0.137	0.131
	C	0.617	0.927	1.464	2.113	2.003
	D	0.658	0.668	0.647	0.637	0.656
	E		0.479	0.886	1.573	1.337
	F		0.420	0.484	0.427	0.387
SEE NOTE 2.	PCB	0.440	0.416	0.450	0.452	0.452

NOTE:

1. "B" DIMENSION MEASURED FROM BACK SIDE OF CONNECTOR FLANGE
2. MIN. SAFE SPACING BETWEEN BACK SHELLS FOR PCB AND MOUNTED COMPONENTS
3. THESE DIMENSIONS ARE GOOD FOR THE BLACK CHROMATE AND NICKEL PLATED DIE CAST BACK SHELLS

DIE CAST



THESE DRAWINGS AND SPECIFICATIONS ARE THE PROPERTY OF NorComp AND SHALL NOT BE REPRODUCED, COPIED OR USED AS THE BASIS FOR THE MANUFACTURE OF SALE OF APPARATUS WITHOUT WRITTEN PERMISSION.

DRAWN: C. SMITH

DATE: 07-21-06

CHECKED: X

DATE: X

NorComp

SCALE: N.T.S. SHEET 2 OF 2 REV 1

DWG NO. ID - 979 SERIES

RoHS COMPLIANT