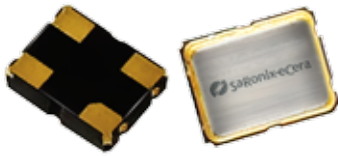


1.8V Clipped Sine Low-Jitter 26 MHz WiFi XO

UJWIFI026



2.5 x 2.0mm Ceramic SMD

ASSP XO™ for Ultra Mobilty



Product Features

- Very low Phase Jitter-2ps RMS (10kHz-5MHz)
- Low output current - 2mA Max
- Low power standby mode
- Low Output Harmonic level
- RoHS Compliant

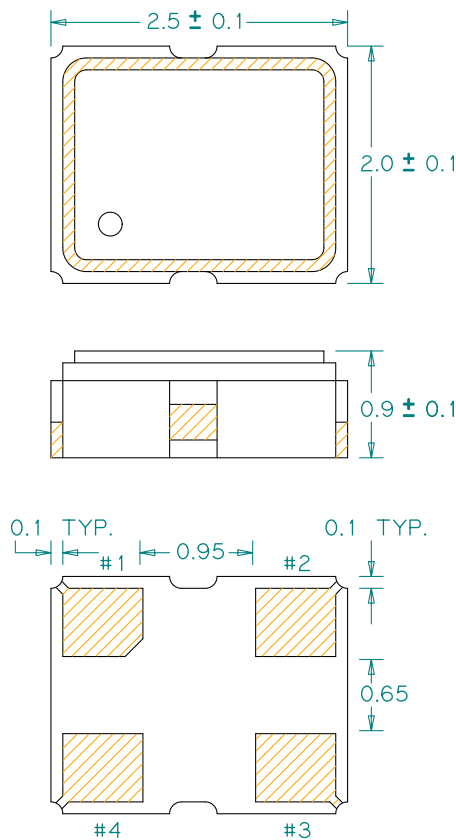
Product Description

This is an enhanced 1.8V, 26MHz crystal clock clipped sine oscillator with superb phase jitter, low output harmonics and low operating current for Wifi/Bluetooth wireless module and smart phone applications.

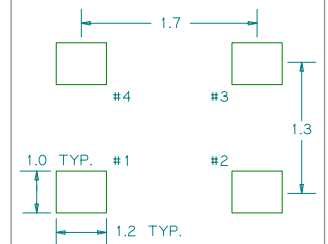
Applications

- WiFi/Bluetooth wireless module
- Smart Phone

Package:



Recommended Land Pattern:



Pin Functions:

Pin	Function
1	OE Function
2	Ground
3	Clock Output
4	V _{DD}

*Extended high frequency power decoupling is recommended (see test circuit for minimum recommendation). To ensure optimal performance, do not route RF traces beneath the package.

Part Ordering Information:

UJWIFI026

Electrical Performance

Parameter	Min.	Typ.	Max.	Units	Notes
Output Frequency		26		MHz	
Supply Voltage V _{DD}	1.62	1.8	1.98	V	
Supply Current, Output Enabled			2	mA	
Supply Current, Output Disabled			10	μA	
Frequency Stability			±20	ppm	See Note 1 below
Operating Temperature Range	-30		+85	°C	
Output Voltage	0.4		0.9	Vp-p	
Output Load			10/10	pF/ kΩ	
Duty Cycle	45		55	%	Measured 50% V _{DD}
Jitter, Phase RMS (1-σ)			2	ps	10kHz to 5 MHz frequency band

Notes:

- Stability includes all combinations of operating temperature, load changes, rated input (supply) voltage changes, initial calibration tolerance (25°C), aging (1 year at 25°C average effective ambient temperature), shock and vibration.
- For specifications other than those listed, please contact sales.

Output Enable / Disable Function

Parameter	Min.	Typ.	Max.	Units	Notes
Input Voltage (pin 1), Output Enable	0.7 V _{DD}			V	
Input Voltage (pin 1), Output Disable (low power standby)			0.3 V _{DD}	V	Output is Hi-Z
Output Disable Delay			100	ns	
Output Enable Delay			10	ms	

Absolute Maximum Ratings

Parameter	Min.	Typ.	Max.	Units	Notes
Storage Temperature	-55		+125	°C	

For the latest product information visit: <http://www.pericom.com/products/timing/oscillators/UJWIFI026/>

For test circuit go to: http://www.pericom.com/pdf/sre/tc_clipsine.pdf

For soldering reflow profile and reliability test ratings go to: <http://www.pericom.com/pdf/sre/reflow.pdf>

For tape and reel information go to: http://www.pericom.com/pdf/sre/tr_2520.pdf