

THIS DRAWING IS UNPUBLISHED.

RELEASED FOR PUBLICATION
ALL RIGHTS RESERVED

LOC

DIST

P LTR

DESCRIPTION

DATE

DMN

APVD

© COPYRIGHT - By -

PER ECR-14-009692

25SEP2014

JL

JL

JL

JL

JL

JL

JL

JL

JL

JL

JL

JL

JL

JL

JL

JL

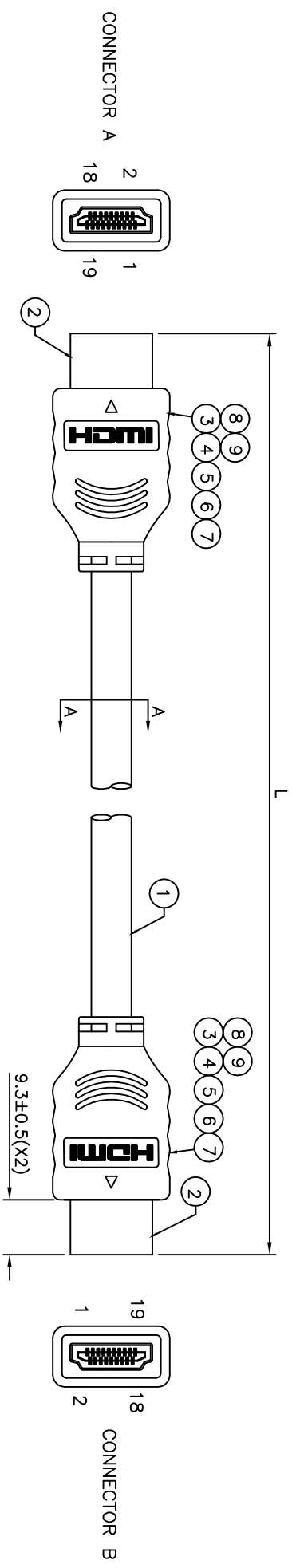
JL

JL

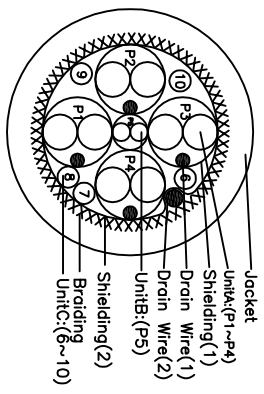
JL

JL

JL



CONNECTION TABLE			
CABLE	CONN/A	CONN/B	
UNIT	WIRE COLOR	PIN	PIN
A (BROWN)	GREEN	1	1
A (BROWN)	DRAIN WIRE	2	2
A (BROWN)	WHITE	3	3
A (BROWN)	GREEN	4	4
A (GREEN)	DRAIN WIRE	5	5
A (GREEN)	WHITE	6	6
A (GREEN)	GREEN	7	7
A (BLUE)	DRAIN WIRE	8	8
A (BLUE)	WHITE	9	9
A (RED)	DRAIN WIRE	11	11
A (RED)	WHITE	12	12
C	RED	13	13
C	VIOLET	14	14
C	WHITE	15	15
C	GRAY	16	16
B	YELLOW	17	17
B	ORANGE	18	18
C	PINK	19	19
	SHIELD BRAID	SHELL	SHELL



- UNIT A:
- P1: WHITE-GREEN
- P2: WHITE-GREEN
- P3: WHITE-GREEN
- P4: WHITE-GREEN
- UNIT B:
- P5: YELLOW-ORANGE
- UNIT C:
- 6: RED
- 7: VIOLET
- 8: WHITE
- 9: GRAY
- 10: PINK

QTY	U/M	DESCRIPTION	ITEM NO.
0.003	LB	SOLDER BAR	9
0.003	LB	SOLDER WIRE	8
2	PC	SHELL, FOR HDMI	7
0.25	MIR	TAPE,VINYL, COLOR: BLACK,W:12.5MM, L:50MM	6
0.1	MIR	HEAT SHRINK TUBING, ID: 0.7MM, BLACK	5
0.018	KG	PVC, 40P, COLOR: BLACK	4
0.07	MIR	HEAT SHRINK TUBING, ID: 1.5MM, BLACK	3
2	PC	HDMI 19PIN PLUG, CONTACT: 30U" GOLD, INSULATION: BLACK, SHELL: NICKEL PLATED	2
AR	MIR	UL20276 (1P*30AWG+DRAIN+AL/MYLAR)*4+30AWG*1P +28AWG*5C+AL/MYLAR+DRAIN+BRAD, COLOR: BLACK	1

CONNECTION TABLE			
CABLE	CONN/A	CONN/B	
UNIT	WIRE COLOR	PIN	PIN
A (BROWN)	GREEN	1	1
A (BROWN)	DRAIN WIRE	2	2
A (BROWN)	WHITE	3	3
A (BROWN)	GREEN	4	4
A (GREEN)	DRAIN WIRE	5	5
A (GREEN)	WHITE	6	6
A (GREEN)	GREEN	7	7
A (BLUE)	DRAIN WIRE	8	8
A (BLUE)	WHITE	9	9
A (RED)	DRAIN WIRE	11	11
A (RED)	WHITE	12	12
C	RED	13	13
C	VIOLET	14	14
C	WHITE	15	15
C	GRAY	16	16
B	YELLOW	17	17
B	ORANGE	18	18
C	PINK	19	19
	SHIELD BRAID	SHELL	SHELL

STE TE Connectivity

C/A,HDMI TO HDMI

DIMENSIONS:		TOLERANCES UNLESS OTHERWISE SPECIFIED:	
mm			
0	PLC	±	
1	PLC	±	
2	PLC	±	
3	PLC	±	
4	PLC	±	
ANGLES		±	
		±	

THIS DRAWING IS A CONTROLLED DOCUMENT.

DMN S.WU 18AUG2013

CHK S.SCHLEN 18AUG2013

APVD W.KODAMA 18AUG2013

Product spec

Application spec

WEIGHT 6.96KG

CUSTOMER DRAWING

SIZE QAGE CODE DRAWING NO

A3 00779 1770019

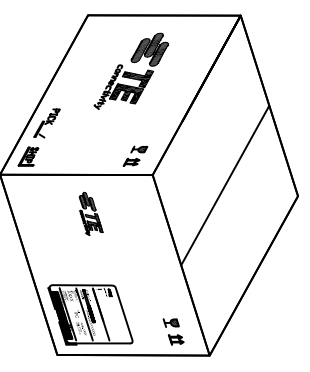
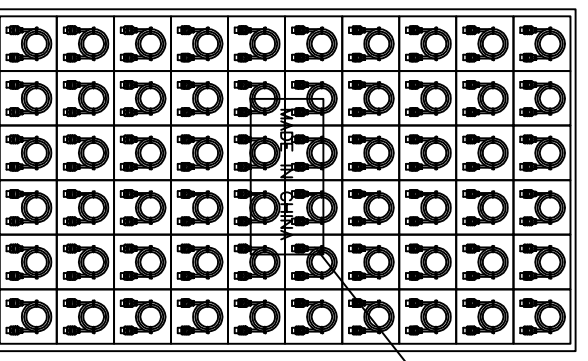
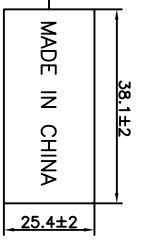
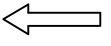
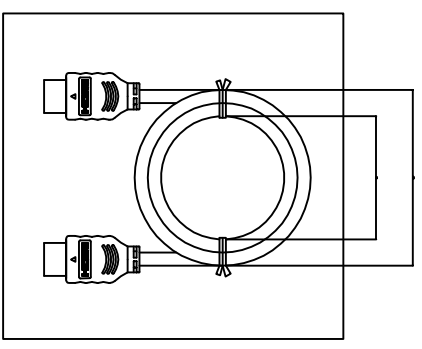
RESTRICTED TO

SCALE 1:1 SHEET 1 OF 3 REV J2

GENERAL TOLERANCE
0mm~10mm : ±1
10mm~50mm : ±2
50mm~100mm : ±3

1470-19 (3/11)

LOC	DIST	REV	DESCRIPTION	DATE	DMN	APVD
-	-	P	LTR			
-	-	-	SEE SHEET 1			



- NOTES:
- PACKING MATERIAL MET TE SPEC TEC-138-702.
 - * CADMIUM AND CADMIUM COMPOUNDS CONTENT:
 - 5 PPM UNDER (PLASTIC,RUBBER,INK,PIGMENT,PAINT)
 - * LEAD,CADMIUM,CHROM VI AND MERCURY IN PACKAGING MATERIALS CONTENT: 100 PPM (COMBINED) UNDER.
1. MATERIAL:
- 1.1 BAG: POLYSTYRENES
 - 1.2 BOX: CORRUGATED FIBERBOARD
 - 1.3 CLAPBOARD: CORRUGATED FIBERBOARD
2. DIMENSION:
- 2.1 BAG: L=318, W=229
 - 2.2 BOX: L=335, W=300, H=300
 - 2.3 BOX: L=350, W=299, H=146
 - 2.4 BOX: L=540, W=345, H=240

△	13.2KG	233.3g	60	1	60	1770019-8
△	5.77KG	85.4g	50	1	50	1770019-7
△	4.72KG	64.3g	50	1	50	1770019-6
△	8.94KG	148.8g	50	1	50	1770019-2
△	7.89KG	106.5g	60	1	60	1770019-1
	GROSS WEIGHT	NET WEIGHT	PCS/BAG	BAG/BOX	PCS/BOX	PART NUMBER

THIS DRAWING IS A CONTROLLED DOCUMENT.

DIMENSIONS: mm	TOLERANCES UNLESS OTHERWISE SPECIFIED:
0 P/C	+/-
1 P/C	+/-
2 P/C	+/-
3 P/C	+/-
4 P/C	+/-
ANGLES	+/-
MATERIAL	-

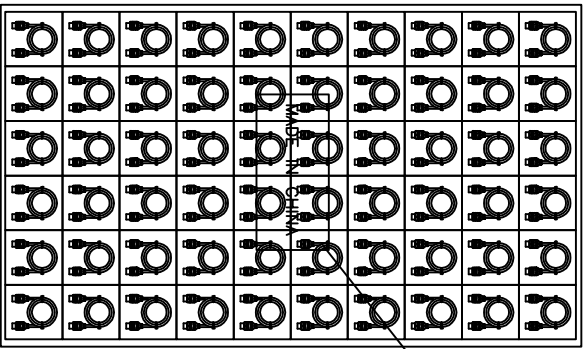
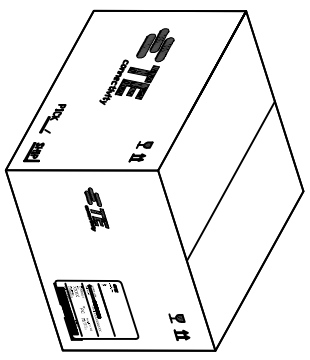
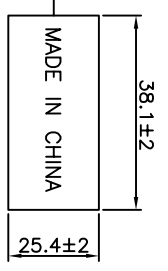
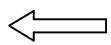
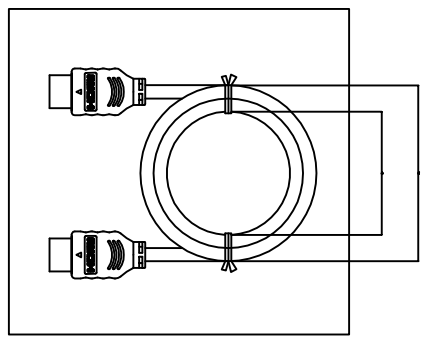
DMN: S.WU
 CHK: S.SHIEN
 APVD: W.KODAMA
 PRODUCT SPEC: C/A,HDMI TO HDMI

DATE: 18AUG2013

SIZE: A3
 CAGE CODE: 00779
 DRAWING NO: 1770019
 SCALE: 1:1

CUSTOMER DRAWING

LOC	DIST	REV	DESCRIPTION	DATE	DMN	APVD
-	-	P	LTR			
-	-		SEE SHEET 1			



- NOTES:
 PACKING MATERIAL MET TE SPEC TEC-138-702.
 * CADMIUM AND CADMIUM COMPOUNDS CONTENT:
 5 PPM UNDER (PLASTIC,RUBBER,INK,PIGMENT,PAINT)
 * LEAD,CADMIUM,CHROM VI AND MERCURY IN PACKAGING MATERIALS CONTENT: 100 PPM (COMBINED) UNDER.
- MATERIAL:
 - BAG: POLYSTYRENES
 - BOX: CORRUGATED FIBERBOARD
 - CLAPBOARD: CORRUGATED FIBERBOARD
 - DIMENSION:
 - BAG: L=318, W=229
 - BOX: L=335, W=300, H=300
 - BOX: L=350, W=299, H=146
 - BOX: L=540, W=345, H=240

△	GROSS WEIGHT	NET WEIGHT	PCS/BAG	BAG/BOX	PCS/BOX	PART NUMBER
△	4.2KG	53.7g	50	1	50	1770019-5
△	3.79KG	43.3g	50	1	50	1770019-4
△	3.2KG	32.6g	50	1	50	1770019-3

THIS DRAWING IS A CONTROLLED DOCUMENT.

DIMENSIONS: mm	TOLERANCES UNLESS OTHERWISE SPECIFIED:
0 P/C	+/-
1 P/C	+/-
2 P/C	+/-
3 P/C	+/-
4 P/C	+/-
ANGLES	+/-
FINISH	-

DMN	S.WU	18AUG2013
CHK	S.SCHLEN	18AUG2013
APVD	W.KODAMA	18AUG2013
Product spec		
APPLICATION SPEC		
WEIGHT	6.96KG	

C/A,HDMI TO HDMI

STE TE Connectivity

SIZE	QAGE CODE	DRAWING NO	RESTRICTED TO
A3	00779	1770019	

CUSTOMER DRAWING

SCALE 1:1 SHEET 3 OF 3 REV J2