



Is Now Part of



**ON Semiconductor®**

To learn more about ON Semiconductor, please visit our website at  
[www.onsemi.com](http://www.onsemi.com)

Please note: As part of the Fairchild Semiconductor integration, some of the Fairchild orderable part numbers will need to change in order to meet ON Semiconductor's system requirements. Since the ON Semiconductor product management systems do not have the ability to manage part nomenclature that utilizes an underscore (\_), the underscore (\_) in the Fairchild part numbers will be changed to a dash (-). This document may contain device numbers with an underscore (\_). Please check the ON Semiconductor website to verify the updated device numbers. The most current and up-to-date ordering information can be found at [www.onsemi.com](http://www.onsemi.com). Please email any questions regarding the system integration to [Fairchild\\_questions@onsemi.com](mailto:Fairchild_questions@onsemi.com).

ON Semiconductor and the ON Semiconductor logo are trademarks of Semiconductor Components Industries, LLC dba ON Semiconductor or its subsidiaries in the United States and/or other countries. ON Semiconductor owns the rights to a number of patents, trademarks, copyrights, trade secrets, and other intellectual property. A listing of ON Semiconductor's product/patent coverage may be accessed at [www.onsemi.com/site/pdf/Patent-Marking.pdf](http://www.onsemi.com/site/pdf/Patent-Marking.pdf). ON Semiconductor reserves the right to make changes without further notice to any products herein. ON Semiconductor makes no warranty, representation or guarantee regarding the suitability of its products for any particular purpose, nor does ON Semiconductor assume any liability arising out of the application or use of any product or circuit, and specifically disclaims any and all liability, including without limitation special, consequential or incidental damages. Buyer is responsible for its products and applications using ON Semiconductor products, including compliance with all laws, regulations and safety requirements or standards, regardless of any support or applications information provided by ON Semiconductor. "Typical" parameters which may be provided in ON Semiconductor data sheets and/or specifications can and do vary in different applications and actual performance may vary over time. All operating parameters, including "Typicals" must be validated for each customer application by customer's technical experts. ON Semiconductor does not convey any license under its patent rights nor the rights of others. ON Semiconductor products are not designed, intended, or authorized for use as a critical component in life support systems or any FDA Class 3 medical devices or medical devices with a same or similar classification in a foreign jurisdiction or any devices intended for implantation in the human body. Should Buyer purchase or use ON Semiconductor products for any such unintended or unauthorized application, Buyer shall indemnify and hold ON Semiconductor and its officers, employees, subsidiaries, affiliates, and distributors harmless against all claims, costs, damages, and expenses, and reasonable attorney fees arising out of, directly or indirectly, any claim of personal injury or death associated with such unintended or unauthorized use, even if such claim alleges that ON Semiconductor was negligent regarding the design or manufacture of the part. ON Semiconductor is an Equal Opportunity/Affirmative Action Employer. This literature is subject to all applicable copyright laws and is not for resale in any manner.

# FMS6690

## Six Channel, 6<sup>th</sup> Order, SD/PS/HD Video Filter Driver

### Features

- Three Selectable Sixth-Order 15/32MHz (PS/HD) Filters
- Three Fixed Sixth-Order 8MHz (SD) Filters with MUXed Input
- Transparent Input Clamping
- Single Video Load Drive (2V<sub>PP</sub>, 150Ω, A<sub>V</sub>= 6dB)
- AC-or DC-Coupled Inputs
- AC-or DC-Coupled Outputs
- DC-Coupled Outputs Eliminate AC-Coupling Capacitors
- Low Power
- 5V Only

### Applications

- Cable and Satellite Set-Top Boxes
- DVD Players
- HDTV
- Personal Video Recorders (PVR)
- Video On Demand (VOD)


### Description

The FMS6690 Low-Cost Video Filter (LCVF) is intended to replace passive LC filters and drivers with a low-cost integrated device. Six 6<sup>th</sup>-order Butterworth filters provide improved image quality compared to typical passive solutions. The combination of low-power Standard Definition (SD), Progressive Scan (PS), and High Definition (HD) filters greatly simplifies DVD video output circuitry. Three channels offer fixed SD filters and feature an additional MUXed input, while the other three channels are selectable between PS and HD filters. The FMS6690 offers a fixed gain of 6dB.

The FMS6690 may be directly driven by a DC-coupled DAC output or an AC-coupled signal. Internal diode clamps and bias circuitry may be used if AC-coupled inputs are required (*see Applications section for details*).

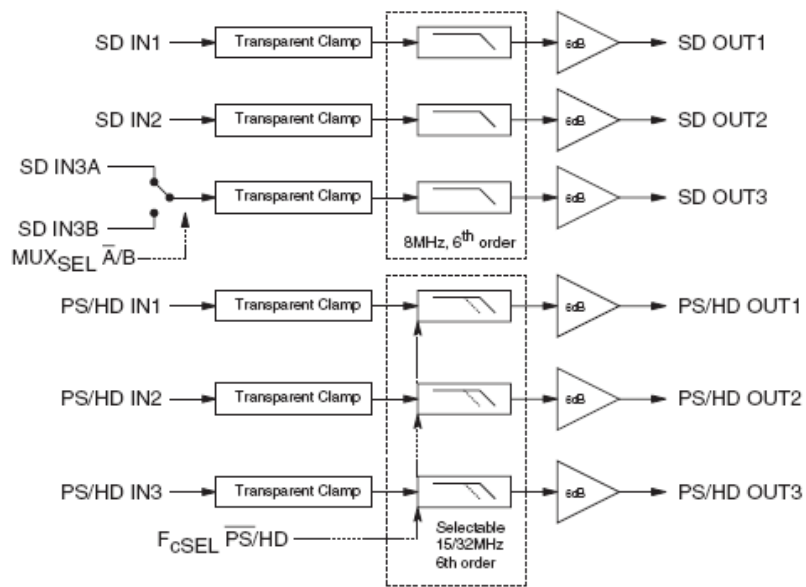
The outputs can drive AC-or DC-coupled single (150Ω) video loads. DC-coupling the outputs removes the need for output coupling capacitors. The input DC levels are offset approximately +280mV at the output.

### Ordering Information

Part Number	Operating Temperature Range	 Eco Status	Package	Packing Method
FMS6690MTC20X	0° to 70°C	RoHS	20-Lead Thin Shrink Outline Package (TSSOP)	2500 Units in Tape and Reel

 For Fairchild's definition of Eco Status, please visit: [http://www.fairchildsemi.com/company/green/rohs\\_green.html](http://www.fairchildsemi.com/company/green/rohs_green.html).

**Block Diagram**



**Figure 1. Block Diagram**



## Pin Configuration

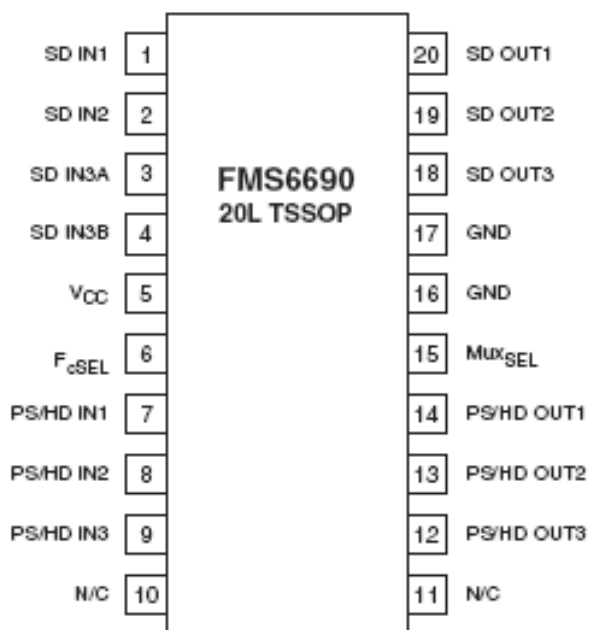


Figure 2. Pin Configuration

## Pin Definitions

Pin #	Name	Type	Description
1	SD IN1	Input	SD Video Input, Channel 1
2	SD IN2	Input	SD Video Input, Channel 2
3	SD IN3A	Input	SD Video Input, Channel 3A
4	SD IN3B	Input	SD Video Input, Channel 3B
5	VCC	Input	+5V Supply
6	FcSEL	Input	Selects Filter Corner Rrequency for Pins 7, 8, and 9; "0" = PS, "1" = HD
7	PS/HD IN1	Input	Selectable PS or HD Video Input, Channel 1
8	PS/HD IN2	Input	Selectable PS or HD Video Input, Channel 2
9	PS/HD IN3	Input	Selectable PS or HD Video Input, Channel 3
10	N/C	Input	No Connect
11	N/C	Input	No Connect
12	PS/HD OUT3	Output	Filtered PS or HD Video Output, Channel 3
13	PS/HD OUT2	Output	Filtered PS or HD Video Output, Channel 2
14	PS/HD OUT1	Output	Filtered PS or HD Video Output, Channel 1
15	MUX <sub>SEL</sub>	Input	MUX Selects Between Channel 3A and 3B Inputs; 0 = A, 1 = B
16	GND	Input	Must Be Tied to Ground
17	GND	Input	Must Be Tied to Ground
18	SD OUT3	Output	Filtered SD Video Output, Channel 3
19	SD OUT2	Output	Filtered SD Video Output, Channel 2
20	SD OUT1	Output	Filtered SD Video Output, Channel 1

## Absolute Maximum Ratings

Stresses exceeding the absolute maximum ratings may damage the device. The device may not function or be operable above the recommended operating conditions and stressing the parts to these levels is not recommended. In addition, extended exposure to stresses above the recommended operating conditions may affect device reliability. The absolute maximum ratings are stress ratings only.

Symbol	Parameter		Min.	Max.	Unit
V <sub>CC</sub>	DC Supply Voltage		-0.3	6.0	V
V <sub>IO</sub>	Analog Digital I/O		-0.3	V <sub>CC</sub> + 0.3	V
I <sub>OUT</sub>	Output Current, Any One Channel, Do Not Exceed			50	mA
ESD	Electrostatic Discharge Capability	Human Body Model, JESD22-A114		9	kV
		Charged Device Model, JESD22-C101		2	

## Reliability Information

Symbol	Parameter	Min.	Typ.	Max.	Unit
T <sub>J</sub>	Junction Temperature			+150	°C
T <sub>STG</sub>	Storage Temperature Range	-65		+150	°C
T <sub>L</sub>	Lead Temperature, Soldering 10 Seconds			+300	°C
Θ <sub>JA</sub>	Thermal Resistance, JEDEC Standard, Multi-Layer Test Board, Still Air		74		°C/W

## Recommended Operating Conditions

The Recommended Operating Conditions table defines the conditions for actual device operation. Recommended operating conditions are specified to ensure optimal performance to the datasheet specifications. Fairchild does not recommend exceeding them or designing to Absolute Maximum Ratings.

Symbol	Parameter	Min.	Typ.	Max.	Unit
T <sub>A</sub>	Operating Temperature Range	0		+70	°C
V <sub>CC</sub>	Supply Voltage Range	4.75	5.00	5.25	V

## DC Electrical Characteristics

Unless otherwise noted, T<sub>A</sub>=25°C, V<sub>CC</sub>=5V, AC coupled with 0.1μF, all outputs AC coupled with 220μF into 150Ω loads, referenced to 400kHz.

Symbol	Parameter	Conditions	Min.	Typ.	Max.	Units
I <sub>CC</sub>	Supply Current <sup>(1)</sup>	No Load		60	80	mA
V <sub>IN</sub>	Video Input Voltage Range	Referenced to GND if DC Coupled		1.4		V <sub>PP</sub>
V <sub>IL</sub>	Digital Input Low <sup>(1)</sup>	F <sub>CSEL</sub>	0		0.8	V
V <sub>IH</sub>	Digital Input High <sup>(1)</sup>	F <sub>CSEL</sub>	2.4		V <sub>CC</sub>	V

### Note:

- 100% tested at 25°C.

## Standard-Definition Electrical Characteristics

Unless otherwise noted,  $T_A=25^{\circ}\text{C}$ ,  $V_{IN}=1V_{PP}$ ,  $V_{CC}=5V$ , all inputs AC coupled with  $0.1\mu\text{F}$ , all outputs AC coupled with  $220\mu\text{F}$  into  $150\Omega$  loads, referenced to  $400\text{kHz}$ .

Symbol	Parameter	Conditions	Min.	Typ.	Max.	Units
$AV_{SD}$	Channel Gain <sup>(2)</sup>	All SD Channels	5.6	6.0	6.4	dB
$f_{1dBSD}$	-1dB Flatness <sup>(2)</sup>	All SD Channels	5.20	7.15		MHz
$f_{cSD}$	-3dB Bandwidth <sup>(2)</sup>	All SD Channels	6.5	8.0		MHz
$f_{SBSD}$	Attenuation (Stopband Reject) <sup>(2)</sup>	All SD Channels at $f=27\text{MHz}$	43	50		dB
DG	Differential Gain	All SD Channels		0.7		%
DP	Differential Phase	All SD Channels		1.0		°
THD	Distortion, Output	$V_{OUT}=1.4V_{PP}$ , $3.58\text{MHz}$		0.35		%
$X_{TALKSD}$	Crosstalk (Ch-to-Ch)	at $1\text{MHz}$		-54		dB
SNR	Signal-to-Noise Ratio <sup>(3)</sup>	NTC-7 Weighting, $100\text{kHz}$ to $4.2\text{MHz}$		72		dB
$t_{pdSD}$	Propagation Delay	Delay from Input to Output, $4.5\text{MHz}$		90		ns

### Notes:

- 100% tested at  $25^{\circ}\text{C}$ .
- SNR=20 • log (714mV / rms noise).

## Progressive Scan Electrical Characteristics

Unless otherwise noted,  $T_A=25^{\circ}\text{C}$ ,  $V_{IN}=1V_{PP}$ ,  $V_{CC}=3.3V$ ,  $R_{SOURCE}=37.5\Omega$ , all inputs AC coupled with  $0.1\mu\text{F}$ , all outputs AC coupled with  $220\mu\text{F}$  into  $150\Omega$  loads, referenced to  $400\text{kHz}$ .

Symbol	Parameter	Conditions	Min.	Typ.	Max.	Units
$AV_{PS}$	Channel Gain <sup>(4)</sup>	All PS Channels	5.6	6.0	6.4	dB
$f_{1dBSD}$	-1dB Flatness <sup>(4)</sup>	All PS Channels	12	14		MHz
$f_{cPS}$	-3dB Bandwidth <sup>(4)</sup>	All PS Channels	13	16		MHz
$f_{SBSD}$	Attenuation (Stopband Reject) <sup>(4)</sup>	All PS Channels at $f=54\text{MHz}$	37	45		dB
THD	Total Harmonic Distortion, Output (All PS Channels)	$V_{OUT}=1.4V_{PP}$ , $7\text{MHz}$		0.35		%
$X_{TALKPS}$	Crosstalk (Ch-to-Ch)	at $1\text{MHz}$		-53		dB
SNR	Signal-to-Noise Ratio <sup>(5)</sup>	Unweighted, $100\text{kHz}$ to $15\text{MHz}$		66		dB
$t_{pdSD}$	Propagation Delay	Delay from Input to Output		47		ns

### Notes:

- 100% tested at  $25^{\circ}\text{C}$ .
- SNR=20 • log (714mV / rms noise).

## High-Definition Electrical Characteristics

Unless otherwise noted,  $T_A=25^{\circ}\text{C}$ ,  $V_{IN}=1V_{PP}$ ,  $V_{CC}=5V$ ,  $R_{SOURCE}=37.5\Omega$ , all inputs AC coupled with  $0.1\mu\text{F}$ , all outputs AC coupled with  $220\mu\text{F}$  into  $150\Omega$  loads, referenced to  $400\text{kHz}$ .

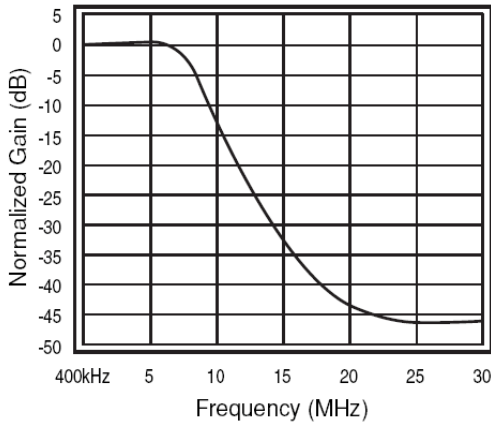
Symbol	Parameter	Conditions	Min.	Typ.	Max.	Units
$AV_{HD}$	Channel Gain <sup>(6)</sup>	All HD Channels	5.6	6.0	6.4	dB
$f_{1dBHD}$	-1dB Flatness <sup>(6)</sup>	All HD Channels	28	31		MHz
$f_{cHD}$	-3dB Bandwidth <sup>(6)</sup>	All HD Channels	30	34		MHz
$f_{SBHD}$	Attenuation (Stopband Reject) <sup>(6)</sup>	All HD Channels at $f=74.25\text{MHz}$	30	41		dB
THD	Output Distortion,(All PS Channels)	$V_{OUT}=1.4V_{PP}$ , $22\text{MHz}$		0.9		%
$X_{TALKHD}$	Crosstalk (Ch-to-Ch)	at $1\text{MHz}$		-54		dB
SNR	Signal-to-Noise Ratio <sup>(7)</sup>	Unweighted, $100\text{kHz}$ to $30\text{MHz}$		60		dB
$t_{pdHD}$	Propagation Delay	Delay from Input to Output		25		ns

### Notes:

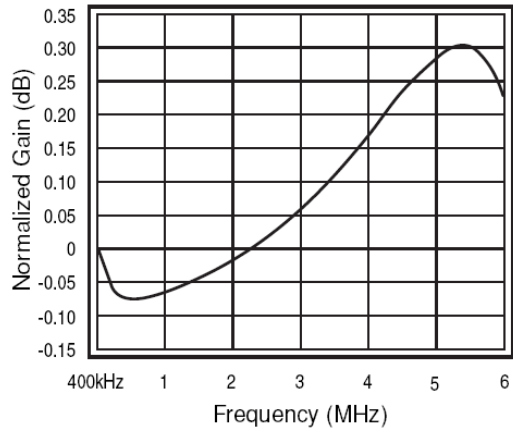
- 100% tested at  $25^{\circ}\text{C}$ .
- SNR=20 • log (714mV / rms noise).

### Typical Performance Characteristics

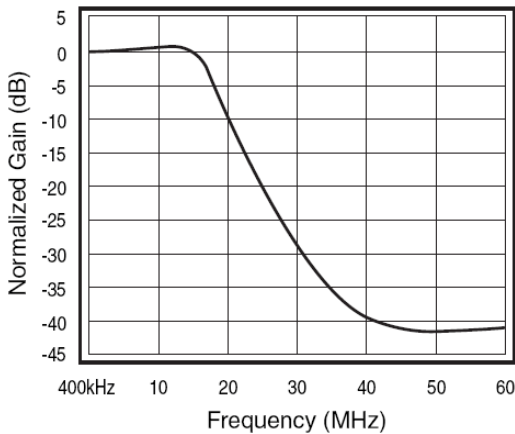
Unless otherwise noted  $T_C=25^\circ\text{C}$ ,  $V_{IN}=1V_{PP}$ ,  $V_{CC}=5V$ ,  $R_{SOURCE}=37.5\Omega$ , inputs AC coupled with  $0.1\mu\text{F}$ , all outputs AC coupled with  $220\mu\text{F}$  into  $150\Omega$  loads.



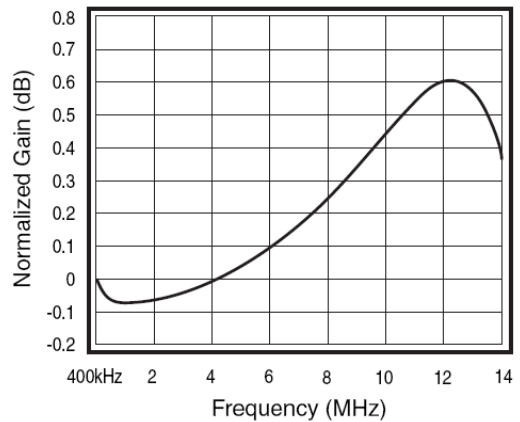
**Figure 3. SD Gain vs. Frequency**



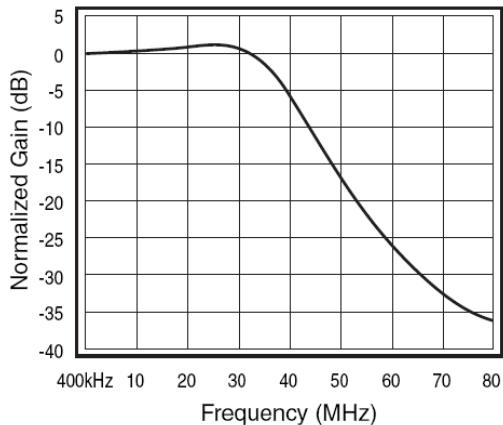
**Figure 4. SD Flatness vs. Frequency**



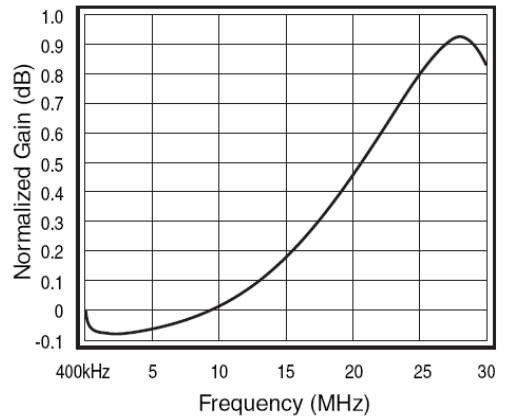
**Figure 5. PS Gain vs. Frequency**



**Figure 6. PS Flatness vs. Frequency**



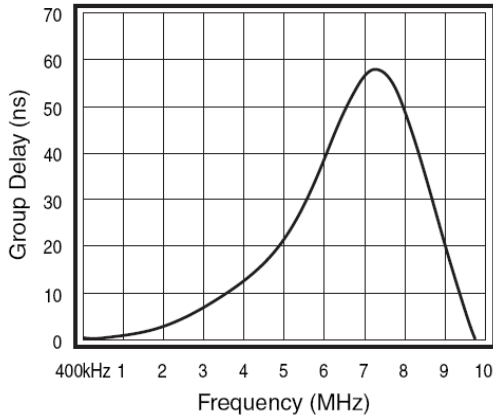
**Figure 7. HD Gain vs. Frequency**



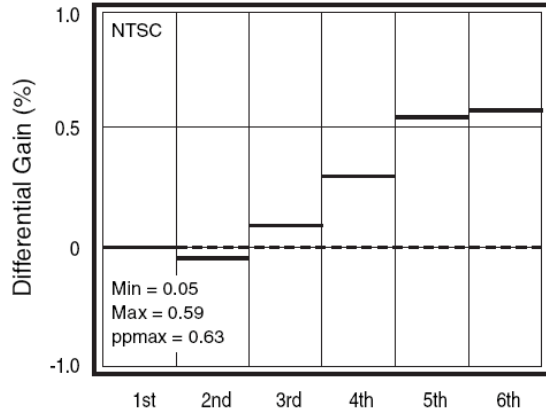
**Figure 8. HD Flatness vs. Frequency**

## Typical Performance Characteristics

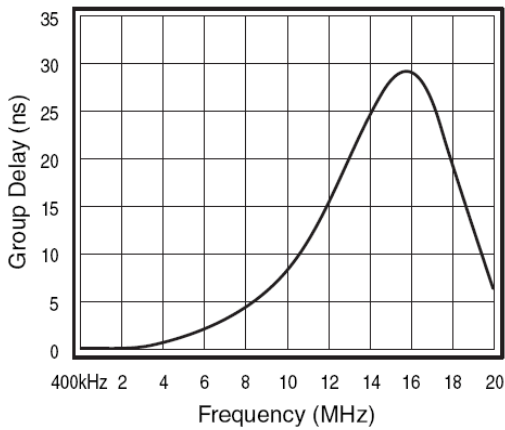
Unless otherwise noted  $T_C=25^\circ\text{C}$ ,  $V_{IN}=1V_{PP}$ ,  $V_{CC}=5V$ ,  $R_{SOURCE}=37.5\Omega$ , inputs AC coupled with  $0.1\mu\text{F}$ , all outputs AC coupled with  $220\mu\text{F}$  into  $150\Omega$  loads.



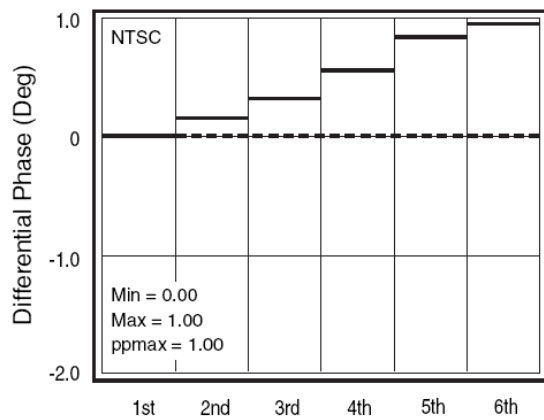
**Figure 9. SD Group Delay vs. Frequency**



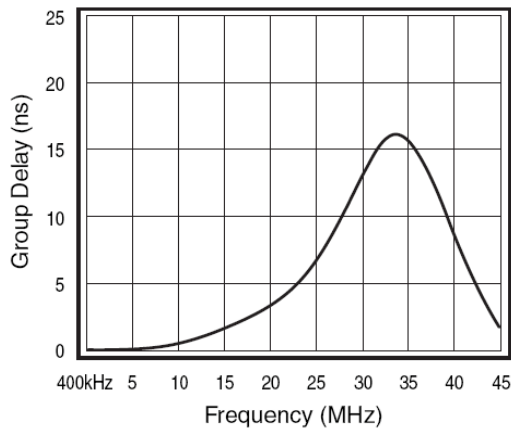
**Figure 10. Noise vs. Frequency**



**Figure 11. PS Group Delay vs. Frequency**



**Figure 12. SD Differential Gain**



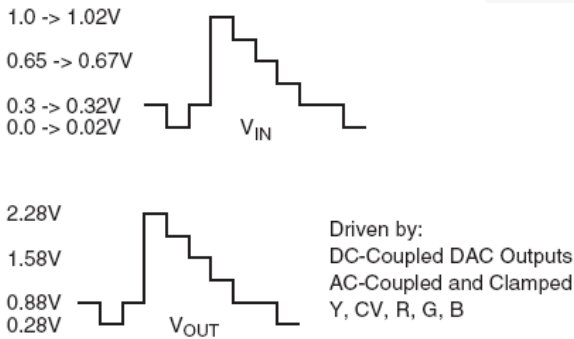
**Figure 13. HD Group Delay vs. Frequency**



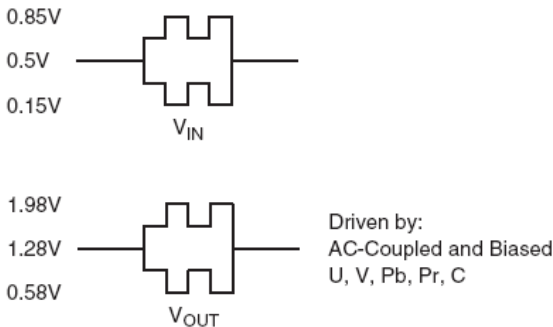
## Applications Information

### Functional Description

The FMS6690 Low-Cost Video Filter (LCVF) provides 6dB gain (9dB optional, contact factory for further information) from input to output. In addition, the input is slightly offset to optimize the output driver performance. The offset is held to the minimum required value to decrease the standing DC current into the load. Typical voltage levels are shown in Figure 14.



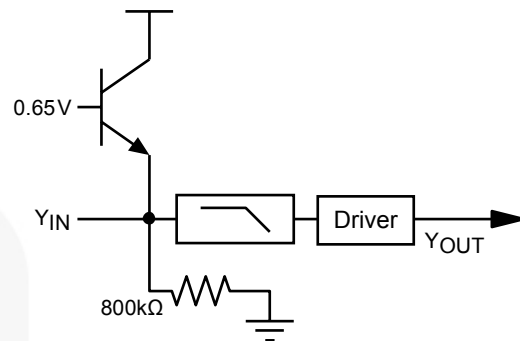
There will be a 280mV offset from the DC input level to the DC output level.  $V_{OUT} = 2 * V_{IN} + 280mV$



**Figure 14. Typical Voltage Levels**

The FMS6690 provides an internal diode clamp to support AC-coupled input signals. If the input signal does not go below ground, the input clamp does not operate. This allows DAC outputs to directly drive the FMS6690 without an AC coupling capacitor. The worst-case sync tip compression, due to the clamp, does not exceed 7mV. The input level set by the clamp, combined with the internal DC offset, keeps the output within acceptable range. When the input is AC-coupled, the diode clamp sets the sync tip (or lowest voltage) just below ground.

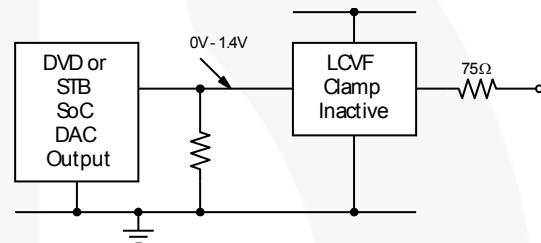
For symmetric signals like C, U, V, Cb, Cr, Pb, and Pr; the average DC bias is fairly constant and the inputs can be AC-coupled with the addition of a pull-up resistor to set the DC input voltage. DAC outputs can also drive these same signals without the AC coupling capacitor. A conceptual illustration of the input clamp circuit is shown in Figure 15.



**Figure 15. Input Clamp Circuit**

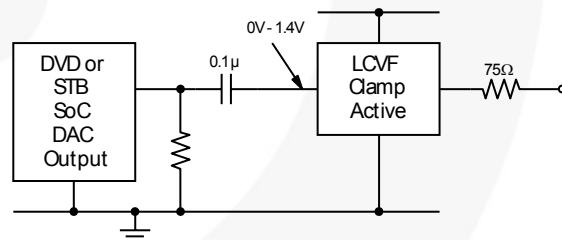
### I/O Configurations

For DC-coupled DAC drive with DC-coupled outputs, use the configuration in Figure 16.



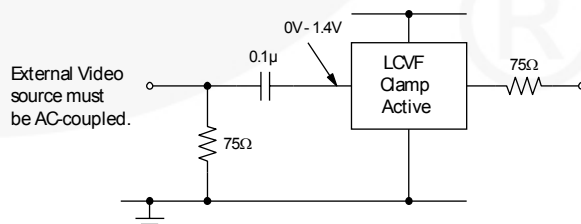
**Figure 16. DC-Coupled Inputs and Outputs**

Alternatively, if the DAC's average DC output level causes the signal to exceed the range of 0V to 1.4V, it can be AC-coupled, as shown in Figure 17.



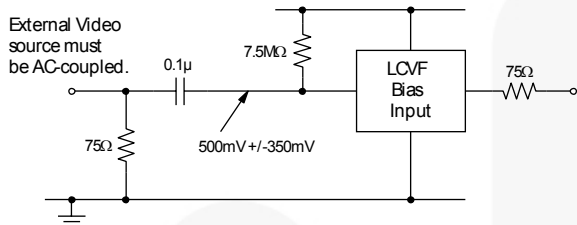
**Figure 17. AC-Coupled Inputs, DC-coupled Outputs**

When the FMS6690 is driven by an unknown external source or a SCART with its own clamping circuitry, the inputs should be AC-coupled, shown in Figure 18.



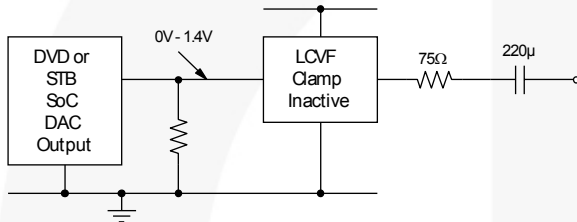
**Figure 18. SCART with DC-Coupled Outputs**

The same method can be used for biased signals with the addition of a pull-up resistor to make sure the clamp never operates. The internal pull-down resistance is  $800k\Omega \pm 20\%$ , so the external resistance should be  $7.5M\Omega$  to set the DC level to 500mV. If a pull-up resistance of less than  $7.5M\Omega$  desired, add an external pull-down such that the DC input level is set to 500mV.

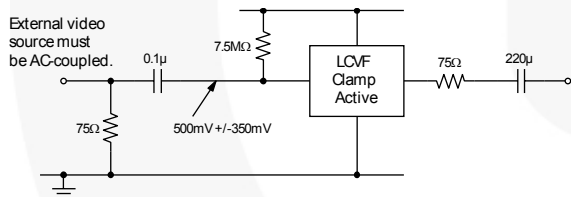


**Figure 19. Biased SCART with DC-Coupled Outputs**

The same circuits can be used with AC-coupled outputs if desired.



**Figure 20. DC-Coupled Inputs, AC-coupled Outputs**



**Figure 21. Biased SCART with AC-Coupled Outputs**

**Note:**

- The video tilt or line time distortion is dominated by the AC-coupling capacitor. The value may need to be increased beyond  $220\mu F$  to obtain satisfactory operation in some applications.

**Power Dissipation**

The FMS6690 output drive configuration must be considered when calculating overall power dissipation. Care must be taken not to exceed the maximum die junction temperature. The following example can be used to calculate the FMS6690's power dissipation and internal temperature rise.

$$T_J = T_A + P_d \cdot \Theta_{JA} \tag{1}$$

where  $P_d = P_{CH1} + P_{CH2} + P_{CHx}$ ,

$$\text{and } P_{CHx} = V_S \cdot I_{CH-} \cdot (V_O^2 / R_L) \tag{2}$$

where:

$$V_O = 2V_{IN} + 0.280V;$$

$$I_{CH} = (I_{CC} / 6) + (V_O / R_L);$$

$V_{IN}$  = RMS value of input signal;

$I_{CC} = 60mA$ ;

$V_S = 5V$ ; and

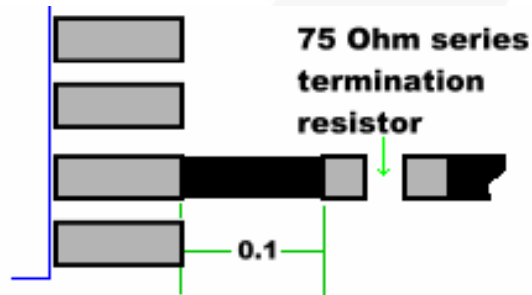
$R_L$  = channel load resistance.

Board layout affects thermal characteristics. Refer to the Layout Considerations section for more information.

**Output Considerations**

The FMS6690 outputs are DC offset from the input by 150mV therefore,  $V_{OUT} = 2 \cdot V_{IN} DC + 150mv$ . This offset is required to obtain optimal performance from the output driver and is held at the minimum value to decrease the standing DC current into the load. Since the FMS6690 has a 2x (6dB) gain, the output is typically connected via a 75Ω-series back-matching resistor followed by the 75Ω video cable. Because of the inherent divide by two of this configuration, the blanking level at the load of the video signal is always less than 1V. When AC-coupling the output, ensure that the coupling capacitor of choice passes the lowest frequency content in the video signal and that line time distortion (video tilt) is kept as low as possible.

The selection of the coupling capacitor is a function of the subsequent circuit impedance and the leakage current of the input being driven. To obtain the highest-quality output video signal, the series termination resistor must be placed as close to the device output pin as possible. This greatly reduces the parasitic capacitance and inductance effect on the FMS6690 output driver. The distance from device pin to place series termination resistor should be no greater than 0.1 inches.



**Figure 22. Distance from Device Pin to Series Termination Resistor**

## Layout Considerations

Layout and supply bypassing play major roles in high-frequency performance and thermal characteristics. Fairchild offers a demonstration board, FMS6690DEMO, to use as a guide for layout and to aid in device testing and characterization. The FMS6690DEMO is a four-layer board with a full power and ground plane. Following this layout configuration provides the optimum performance and thermal characteristics. For optimum results, follow these steps as a basis for high-frequency layout:

- Include 10 $\mu$ F and 0.1 $\mu$ F ceramic bypass capacitors.
- Place the 10 $\mu$ F capacitor within 0.75 inches of the power pin.
- Place the 0.1 $\mu$ F capacitor within 0.1 inches of the power pin.
- For multi-layer boards, use a large ground plane to help dissipate heat.
- For 2 layer boards, use a ground plane that extends beyond the device by at least 0.5.
- Minimize all trace lengths to reduce series inductances.

Typical Application

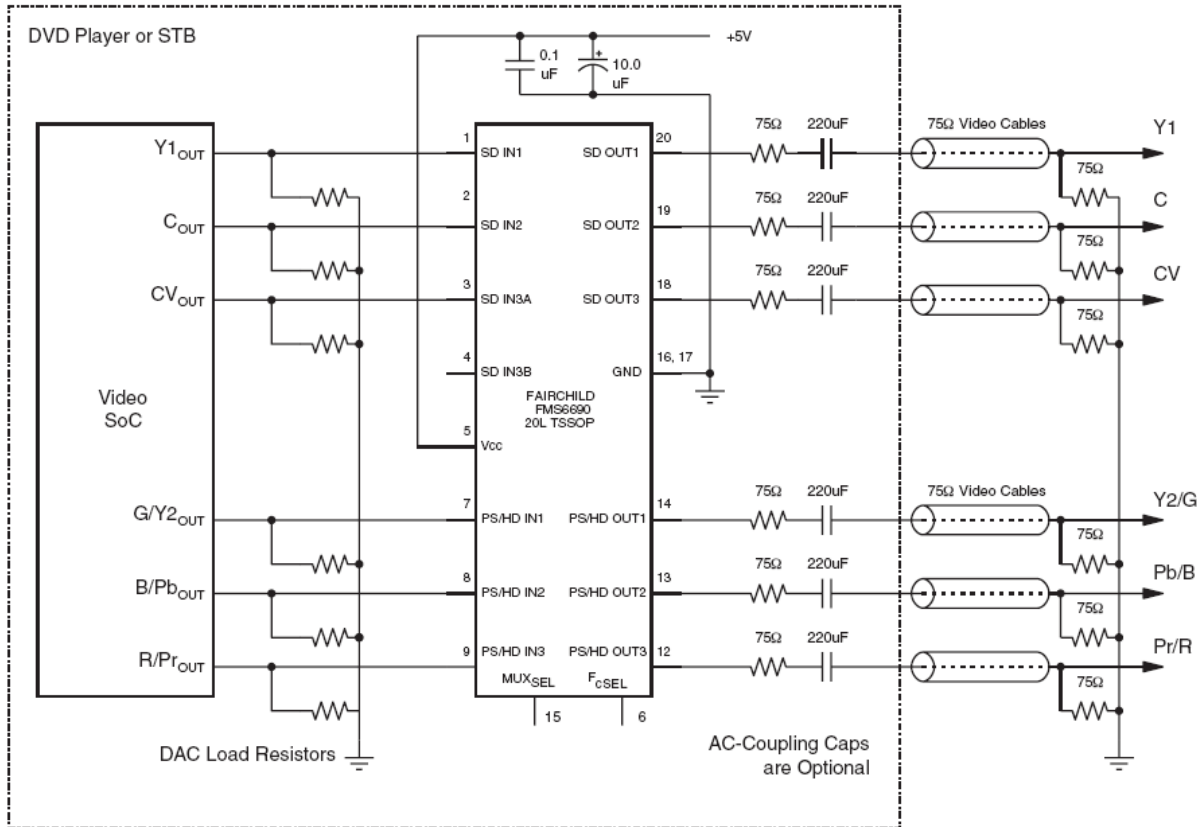
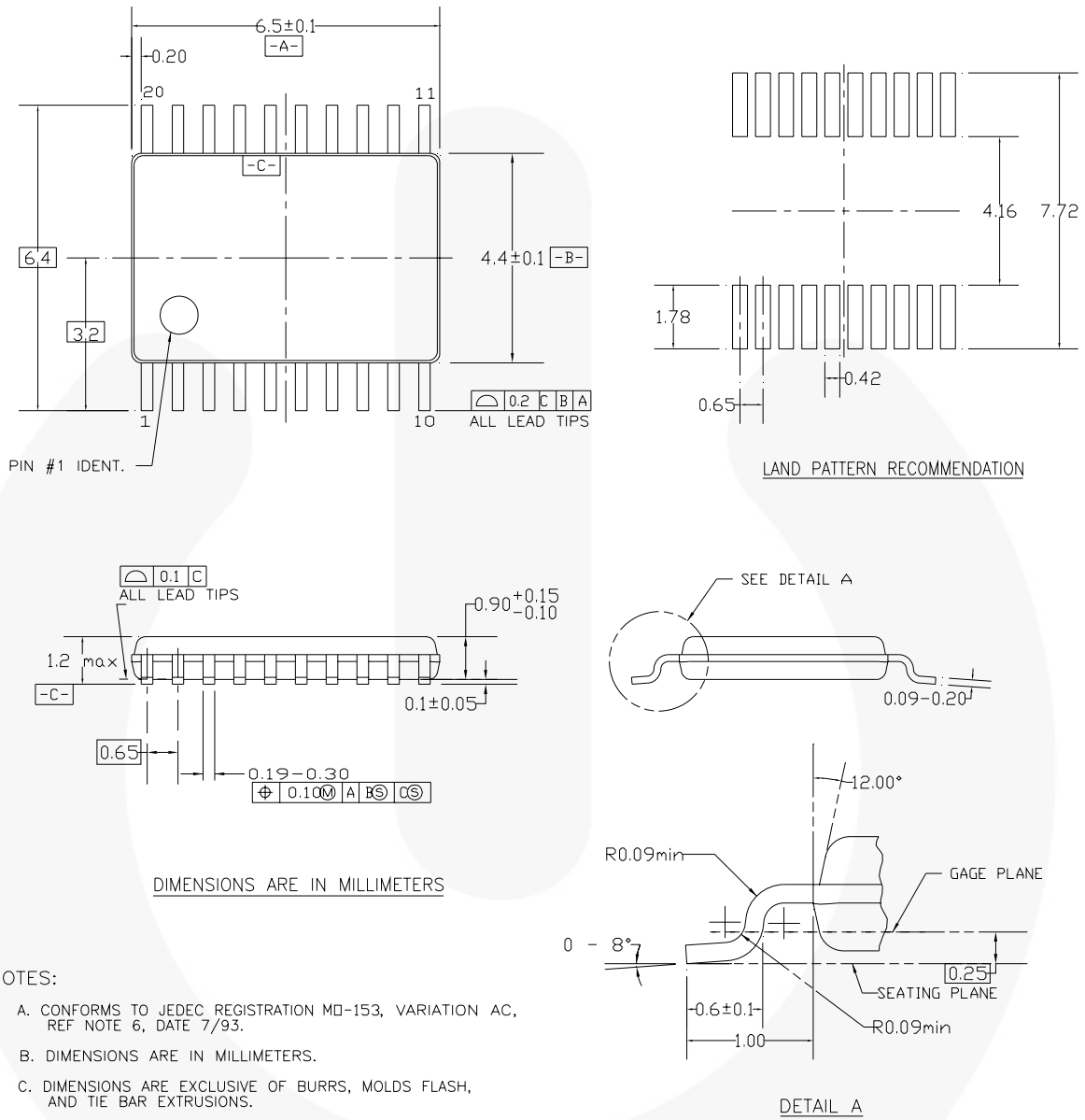


Figure 23. Typical Application Diagram

## Physical Dimensions



MTC20REV D1

**Figure 24. 20-Lead Thin Shrink Outline Package (TSSOP)**








Package drawings are provided as a service to customers considering Fairchild components. Drawings may change in any manner without notice. Please note the revision and/or date on the drawing and contact a Fairchild Semiconductor representative to verify or obtain the most recent revision. Package specifications do not expand the terms of Fairchild's worldwide terms and conditions, specifically the warranty therein, which covers Fairchild products.

Always visit Fairchild Semiconductor's online packaging area for the most recent package drawings:  
<http://www.fairchildsemi.com/packaging/>



**TRADEMARKS**

The following includes registered and unregistered trademarks and service marks, owned by Fairchild Semiconductor and/or its global subsidiaries, and is not intended to be an exhaustive list of all such trademarks.

- |   |   |   |   |
|---|---|---|---|
| AccuPower™  | FPST™   | PowerTrench®  | The Power Franchise®  |
| Auto-SPM™   | F-PFST™   | PowerXS™  |  |
| Build it Now™   | FRFET®  | Programmable Active Droop™  | TinyBoost™  |
| CorePLUS™   | Global Power Resource SM  | QFET®   | TinyBuck™   |
| CorePOWER™  | Green FPST™   | QS™   | TinyCalc™   |
| CROSSVOL™   | Green FPST™ e-Series™   | Quiet Series™   | TinyLogic®  |
| CTL™  | Gmax™   | RapidConfigure™   | TINYOPTO™   |
| Current Transfer Logic™   | GTO™  |  | TinyPower™  |
| EcoSPARK®   | IntelliMAX™   | Saving our world, 1mV/VV/kW at a time™  | TinyPWM™  |
| EfficientMax™   | ISOPLANAR™  | SignalWise™   | TinyVire™   |
| EZSWITCH™   | MegaBuck™   | SmartMax™   | TriFault Detect™  |
|  | MICROCOUPLER™   | SMART START™  | TRUECURRENT™  |
|  | MicroFET™   | SPM®  | µSerDes™  |
| Fairchild®  | MicroPak™   | STEALTH™  |  |
| Fairchild Semiconductor®  | MillerDrive™  | SuperFET™   | UHC®  |
| FACT Quiet Series™  | MotionMax™  | SuperSOT™.3   | Ultra FRFET™  |
| FACT®   | Motion-SPM™   | SuperSOT™.6   | UniFET™   |
| FAST®   | OPTOLOGIC®  | SuperSOT™.8   | VCX™  |
| FastvCore™  | OPTOPLANAR®   | SupreMOS™   | VisualMax™  |
| FETBench™   |  | SyncFET™  | XST™  |
| FlashWriter®  | PDP SPM™  | Sync-Lock™  |   |
|   | Power-SPM™  |  |   |

\* Trademarks of System General Corporation, used under license by Fairchild Semiconductor.

**DISCLAIMER**

FAIRCHILD SEMICONDUCTOR RESERVES THE RIGHT TO MAKE CHANGES WITHOUT FURTHER NOTICE TO ANY PRODUCTS HEREIN TO IMPROVE RELIABILITY, FUNCTION, OR DESIGN. FAIRCHILD DOES NOT ASSUME ANY LIABILITY ARISING OUT OF THE APPLICATION OR USE OF ANY PRODUCT OR CIRCUIT DESCRIBED HEREIN; NEITHER DOES IT CONVEY ANY LICENSE UNDER ITS PATENT RIGHTS, NOR THE RIGHTS OF OTHERS. THESE SPECIFICATIONS DO NOT EXPAND THE TERMS OF FAIRCHILD'S WORLDWIDE TERMS AND CONDITIONS, SPECIFICALLY THE WARRANTY THEREIN, WHICH COVERS THESE PRODUCTS.

**LIFE SUPPORT POLICY**

FAIRCHILD'S PRODUCTS ARE NOT AUTHORIZED FOR USE AS CRITICAL COMPONENTS IN LIFE SUPPORT DEVICES OR SYSTEMS WITHOUT THE EXPRESS WRITTEN APPROVAL OF FAIRCHILD SEMICONDUCTOR CORPORATION.

As used herein:

1. Life support devices or systems are devices or systems which, (a) are intended for surgical implant into the body or (b) support or sustain life, and (c) whose failure to perform when properly used in accordance with instructions for use provided in the labeling, can be reasonably expected to result in a significant injury of the user.
2. A critical component in any component of a life support device, or system whose failure to perform can be reasonably expected to cause the failure of the life support device or system, or to affect its safety or effectiveness.

**ANTI-COUNTERFEITING POLICY**

Fairchild Semiconductor Corporation's Anti-Counterfeiting Policy. Fairchild's Anti-Counterfeiting Policy is also stated on our external website, [www.fairchildsemi.com](http://www.fairchildsemi.com), under Sales Support.

Counterfeiting of semiconductor parts is a growing problem in the industry. All manufacturers of semiconductor products are experiencing counterfeiting of their parts. Customers who inadvertently purchase counterfeit parts experience many problems such as loss of brand reputation, substandard performance, failed applications, and increased cost of production and manufacturing delays. Fairchild is taking strong measures to protect ourselves and our customers from the proliferation of counterfeit parts. Fairchild strongly encourages customers to purchase Fairchild parts either directly from Fairchild or from Authorized Fairchild Distributors who are listed by country on our web page cited above. Products customers buy either from Fairchild directly or from Authorized Fairchild Distributors are genuine parts, have full traceability, meet Fairchild's quality standards for handling and storage and provide access to Fairchild's full range of up-to-date technical and product information. Fairchild and our Authorized Distributors will stand behind all warranties and will appropriately address any warranty issues that may arise. Fairchild will not provide any warranty coverage or other assistance for parts bought from Unauthorized Sources. Fairchild is committed to combat this global problem and encourage our customers to do their part in stopping this practice by buying direct or from authorized distributors.

**PRODUCT STATUS DEFINITIONS**

**Definition of Terms**

Datasheet Identification	Product Status	Definition
Advance Information	Formative / In Design	Datasheet contains the design specifications for product development. Specifications may change in any manner without notice.
Preliminary	First Production	Datasheet contains preliminary data; supplementary data will be published at a later date. Fairchild Semiconductor reserves the right to make changes at any time without notice to improve design.
No Identification Needed	Full Production	Datasheet contains final specifications. Fairchild Semiconductor reserves the right to make changes at any time without notice to improve the design.
Obsolete	Not In Production	Datasheet contains specifications on a product that is discontinued by Fairchild Semiconductor. The datasheet is for reference information only.

Rev. I42

ON Semiconductor and  are trademarks of Semiconductor Components Industries, LLC dba ON Semiconductor or its subsidiaries in the United States and/or other countries. ON Semiconductor owns the rights to a number of patents, trademarks, copyrights, trade secrets, and other intellectual property. A listing of ON Semiconductor's product/patent coverage may be accessed at [www.onsemi.com/site/pdf/Patent-Marking.pdf](http://www.onsemi.com/site/pdf/Patent-Marking.pdf). ON Semiconductor reserves the right to make changes without further notice to any products herein. ON Semiconductor makes no warranty, representation or guarantee regarding the suitability of its products for any particular purpose, nor does ON Semiconductor assume any liability arising out of the application or use of any product or circuit, and specifically disclaims any and all liability, including without limitation special, consequential or incidental damages. Buyer is responsible for its products and applications using ON Semiconductor products, including compliance with all laws, regulations and safety requirements or standards, regardless of any support or applications information provided by ON Semiconductor. "Typical" parameters which may be provided in ON Semiconductor data sheets and/or specifications can and do vary in different applications and actual performance may vary over time. All operating parameters, including "Typicals" must be validated for each customer application by customer's technical experts. ON Semiconductor does not convey any license under its patent rights nor the rights of others. ON Semiconductor products are not designed, intended, or authorized for use as a critical component in life support systems or any FDA Class 3 medical devices or medical devices with a same or similar classification in a foreign jurisdiction or any devices intended for implantation in the human body. Should Buyer purchase or use ON Semiconductor products for any such unintended or unauthorized application, Buyer shall indemnify and hold ON Semiconductor and its officers, employees, subsidiaries, affiliates, and distributors harmless against all claims, costs, damages, and expenses, and reasonable attorney fees arising out of, directly or indirectly, any claim of personal injury or death associated with such unintended or unauthorized use, even if such claim alleges that ON Semiconductor was negligent regarding the design or manufacture of the part. ON Semiconductor is an Equal Opportunity/Affirmative Action Employer. This literature is subject to all applicable copyright laws and is not for resale in any manner.

## PUBLICATION ORDERING INFORMATION

### LITERATURE FULFILLMENT:

Literature Distribution Center for ON Semiconductor  
19521 E. 32nd Pkwy, Aurora, Colorado 80011 USA  
**Phone:** 303-675-2175 or 800-344-3860 Toll Free USA/Canada  
**Fax:** 303-675-2176 or 800-344-3867 Toll Free USA/Canada  
**Email:** [orderlit@onsemi.com](mailto:orderlit@onsemi.com)

**N. American Technical Support:** 800-282-9855 Toll Free  
USA/Canada  
**Europe, Middle East and Africa Technical Support:**  
Phone: 421 33 790 2910  
**Japan Customer Focus Center**  
Phone: 81-3-5817-1050

**ON Semiconductor Website:** [www.onsemi.com](http://www.onsemi.com)  
**Order Literature:** <http://www.onsemi.com/orderlit>  
For additional information, please contact your local  
Sales Representative