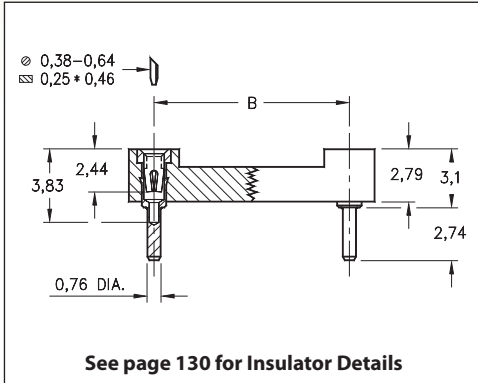
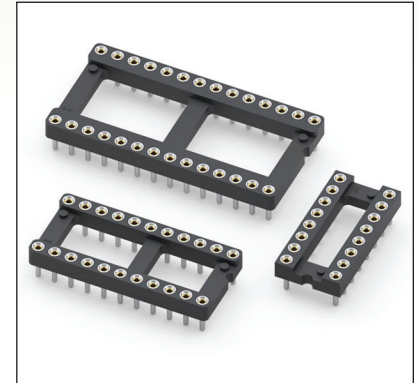


DUAL-IN-LINE SOCKETS

SERIES 115...001 • VERY LOW PROFILE • OPEN FRAME



- Low profile DIP socket, sits only 3,1mm above the PCB
- Hi-Rel, 4-finger BeCu #30 contact is rated at 3 amps. See page 253 for details
- Series 115 uses MM #0501 pins. See page 162 for details
- Insulators are high temperature thermoplastic, suitable for all soldering operations
- For Electrical, Mechanical and Environmental Data, see page 264 for details



Total number of pins				Quantity per tube	ORDERING INFORMATION						
	A	B	C								
10	12,6	5,08	7,6	41	115-XX-210-41-001000						
4	5,0	7,62	10,1	102	115-XX-304-41-001000						
6	7,6	7,62	10,1	67	115-XX-306-41-001000						
8	10,1	7,62	10,1	50	115-XX-308-41-001000						
10	12,6	7,62	10,1	40	115-XX-310-41-001000						
14	17,7	7,62	10,1	28	115-XX-314-41-001000						
16	20,3	7,62	10,1	25	115-XX-316-41-001000						
18	22,8	7,62	10,1	22	115-XX-318-41-001000						
20	25,3	7,62	10,1	20	115-XX-320-41-001000						
22	27,8	7,62	10,1	18	115-XX-322-41-001000						
24	30,4	7,62	10,1	16	115-XX-324-41-001000						
28	35,5	7,62	10,1	14	115-XX-328-41-001000						
20	25,4	10,16	12,7	20	115-XX-420-41-001000						
22	27,8	10,16	12,7	18	115-XX-422-41-001000						
24	30,4	10,16	12,7	16	115-XX-424-41-001000						
28	35,5	10,16	12,7	14	115-XX-428-41-001000						
32	40,6	10,16	12,7	12	115-XX-432-41-001000						
24	30,4	15,24	17,7	16	115-XX-624-41-001000						
28	35,5	15,24	17,7	14	115-XX-628-41-001000						
32	40,6	15,24	17,7	12	115-XX-632-41-001000						
36	45,7	15,24	17,7	11	115-XX-636-41-001000						
40	50,8	15,24	17,7	10	115-XX-640-41-001000						
42	53,3	15,24	17,7	9	115-XX-642-41-001000						
48	60,9	15,24	17,7	8	115-XX-648-41-001000						
50	63,5	15,24	17,7	8	115-XX-650-41-001000						
52	66,0	15,24	17,7	7	115-XX-652-41-001000						
50	63,5	22,86	25,3	8	115-XX-950-41-001000						
52	66,0	22,86	25,3	7	115-XX-952-41-001000						
64	81,2	22,86	25,3	6	115-XX-964-41-001000						
SPECIFY PLATING CODE XX =					91	93	41	43	47		
					Sleeve (Pin)	5,08µm Sn/Pb	5,08µm Sn/Pb	5,08µm Sn	5,08µm Sn	5,08µm Sn	
					Contact (Clip)	0,25µm Au	0,76µm Au	0,25µm Au	0,76µm Au	Au Flash	

XX=Plating Code
See Below

