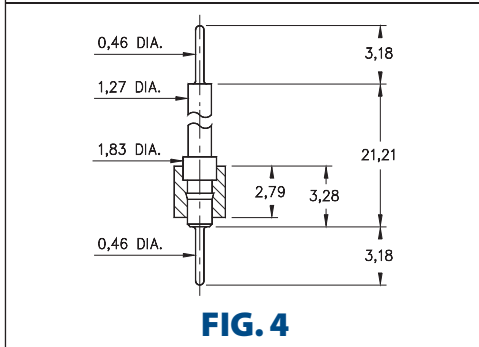
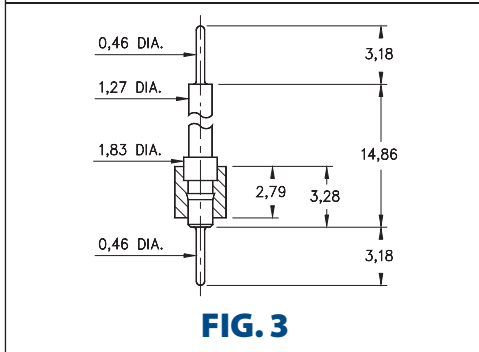
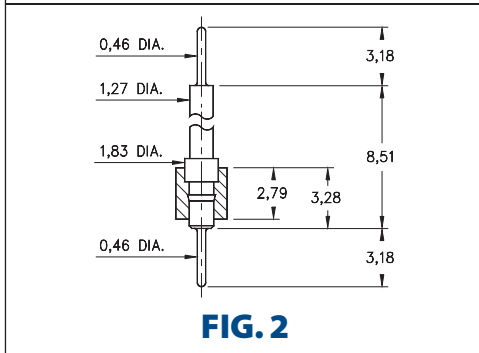
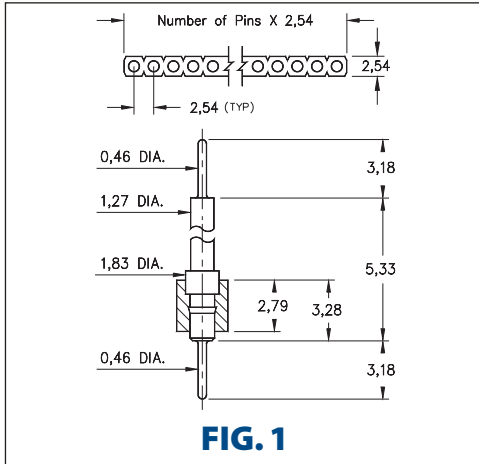


# INTERCONNECTS

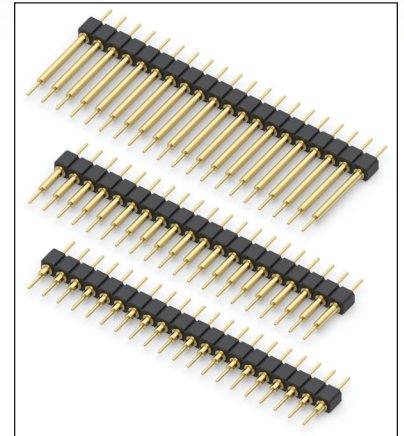
## SERIES 342 • 2,54 GRID BOARD STACKING HEADERS • SINGLE ROW STRIPS



- Series 342 interconnect header strips come in four heights with 0,46 dia. pluggable solder tails at both ends

342...591 uses pin #4259-1 (L = 5,33)  
 342...592 uses pin #4259-2 (L = 8,51)  
 342...593 uses pin #4259-3 (L = 14,86)  
 342...594 uses pin #4259-4 (L = 21,21)  
 See page 212 for details

- Insulators are high temperature thermoplastic, suitable for all soldering operations



### ORDERING INFORMATION

	Series 342...591	0,46 / 0,46 Dia. Solder Tails
<b>FIG. 1</b>	342-XX-1	-00-591000
	Specify number of pins	01-64
<b>FIG. 2</b>	Series 342...592	0,46 / 0,46 Dia. Solder Tails
	342-XX-1	-00-592000
	Specify number of pins	01-64
<b>FIG. 3</b>	Series 342...593	0,46 / 0,46 Dia. Solder Tails
	342-XX-1	-00-593000
	Specify number of pins	01-64
<b>FIG. 4</b>	Series 342...594	0,46 / 0,46 Dia. Solder Tails
	342-XX-1	-00-594000
	Specify number of pins	01-64



XX=Plating Code  
See Below

For  
Electrical, Mechanical  
& Environmental Data,  
See page 264

SPECIFY PLATING CODE XX=	10	90	40	
Pin Plating 	0,25µm Au	5,08µm Sn/Pb	5,08µm Sn	

