



FEATURES

- ▶ Large 1", 3½ digit display for easy viewing
- ▶ User-selectable decimal points
- ▶ User-selectable engineering units
- ▶ Non-backlit LCD or choice of AMBER, GREEN, RED or BLUE backlit LCD
- ▶ Wide ZERO (Offset) & SPAN (Gain) adjustment
- ▶ Standard 1/8 DIN package
- ▶ Snap-in panel mounting
- ▶ Gasket and clamp provided for NEMA 4, NEMA 12 & IP66 applications

SPECIFICATIONS

DISPLAY

Digits: 3 ½ digits (±1999 counts)
 Type: 1" (24.9 mm) 7 segment high contrast LCD automatic, "-" displayed
 Polarity: °F, °C, PSI, %, user-selectable or V, A, KW, PF
 Annunciators: 3 position, user selectable
 Decimal Points: three lower order digits blank for inputs >1999 & < -1999
 Overrange:

INPUTS

Voltage Ranges: 200 mV, 5 V, 10 V (809 Series)
 Current Range: 4 to 20mA (807 Series)
 Configuration: single ended (809 Series)
 Impedance: 390KΩ (809 Series)

PERFORMANCE

Accuracy: ±(0.05% of full scale + 1 count)
 Conversion Rate: 3 per second
 Normal Mode Rejection: >30 dB @ 60 Hz
 Warmup: 10 minutes typical
 Temperature Coeff.: ± 100 ppm per °C typical
 Adjustments: 25 turn potentiometers
 Offset Range: -1999 to +1999
 Gain Range: 1 to 1999 (custom ranges available)

ENVIRONMENT

Operating Range: -10 to 50 °C
 Storage Range: -10 to 75 °C

POWER SUPPLY

Loop Powered: 300Ω nominal at 20 mA (807 Series)
 Voltage Controlled: 10 mA at 12 V (9 to 16 V) or 24 V (16 to 32 V) (809 Series)
 Backlighting: 35 mA typical @ 24 VDC

MOUNTING

snap-in panel mount or clamp and gasket (included)

CONNECTION

screw terminals

ORDERING INFO

PART NUMBER	BACKLIGHT COLOR	METER INPUT	METER POWER	BACKLIGHT POWER
DK807A*NO BACKLIGHT 4-20mAmA loopNONE
DK757B*BLUE 4-20mAmA loop24VDC
DK857B*RED 4-20mAmA loop24VDC
DK947B*AMBER 4-20mAmA loop24VDC
DK957B*GREEN 4-20mAmA loop24VDC
DK809*NO BACKLIGHT Voltage 12/24VDCNONE
DK759*BLUE Voltage 12/24VDC24VDC
DK859*RED Voltage 12/24VDC24VDC
DK949*AMBER Voltage 12/24VDC24VDC
DK959*GREEN Voltage 12/24VDC24VDC

*Add (P) for Power Engineering Units V, A, KW, PF

ACCESSORIES

PW2-12 Regulated 120V AC to 12V DC Power Supply
PW2-24 Regulated 120V AC to 24V DC Power Supply
CVC Calibrator



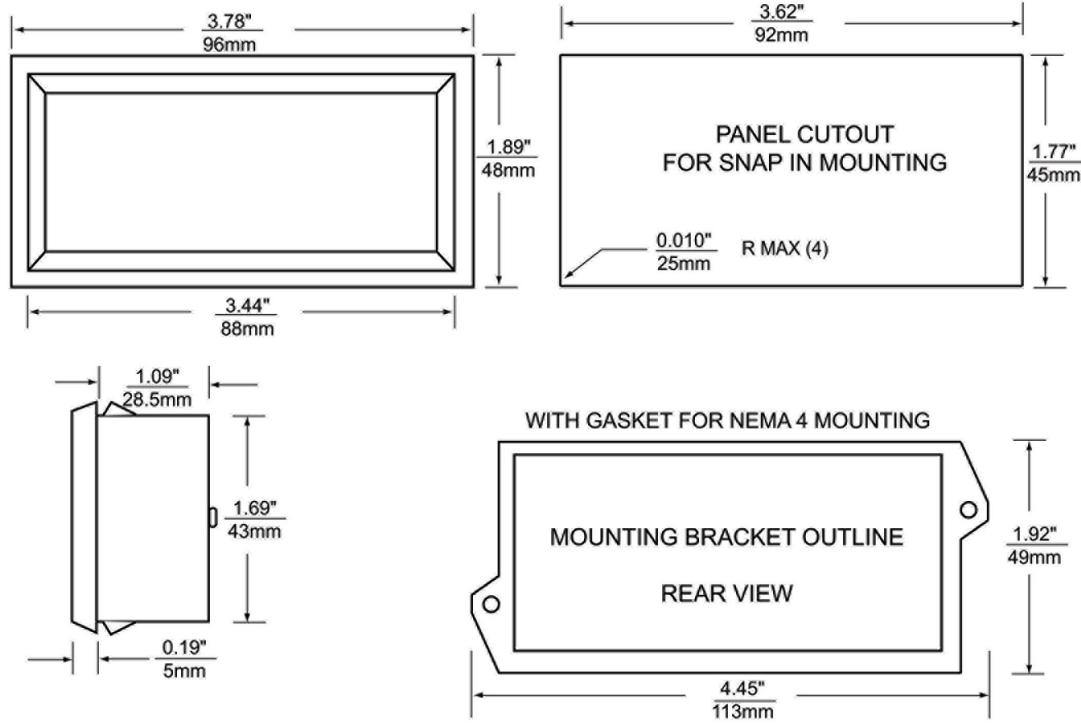
Specifications Installation and Operating Instructions LCD Digital Panel Meters

Large 1" - 3½" Digit Loop Powered or Voltage Controlled DPM

DK807 & 809



DIMENSIONS



Inches
mm

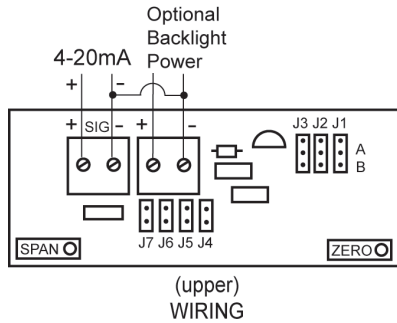
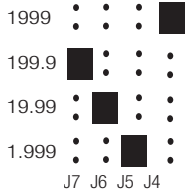
NOTES:

1. Panel thickness is: 0.032"/0.81mm to 0.25"/6.35mm
2. Gasket supplied is: 0.075"/1.9mm thick

WIRING

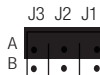
807 Series

1. DECIMAL SELECTION:



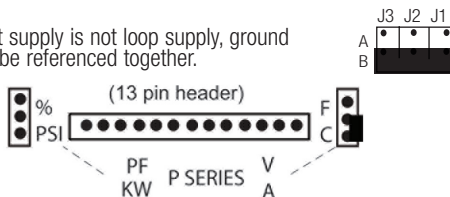
2. J1, J2, J3 SELECTION:

IF: OFFSET (ZERO) IS ≤ 0 or
OFFSET (ZERO) > 0 and GAIN (SPAN) \div OFFSET (ZERO) ≥ 5



IF: OFFSET (ZERO) > 0 and GAIN (SPAN) \div OFFSET (ZERO) < 5

NOTE: If backlight supply is not loop supply, ground should be referenced together.



809 Series

