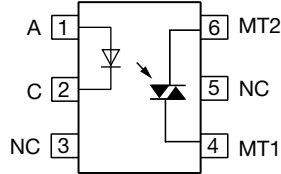
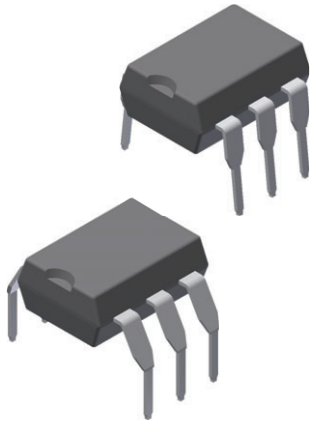




## Optocoupler, Phototriac Output, Non-Zero Crossing, 400 V<sub>DRM</sub>



### FEATURES

- 400 V blocking voltage
- Wide range of trigger current
- 100 mA<sub>RMS</sub> on-state current
- Wide temperature range -55 °C to +100 °C
- Material categorization: for definitions of compliance please see [www.vishay.com/doc?99912](http://www.vishay.com/doc?99912)



RoHS COMPLIANT

### APPLICATIONS

- Power TRIAC driver
- Isolated AC load switch
- Air condition
- Heaters
- White goods
- Industrial controls
- Office equipment

### AGENCY APPROVALS

- UL
- cUL
- DIN EN 60747-5-5 (VDE 0884-5)
- BSI
- CQC
- FIMKO

### DESCRIPTION

The K3020P, K3020PG series consists of a phototriac optically coupled to a gallium arsenide infrared-emitting diode in a 6-lead plastic dual inline package.

The non-zero crossing functionality enables full wave control. Featuring galvanic and electrical noise isolation, the output is able to directly switch AC loads or drive medium to high power TRIACs.

ORDERING INFORMATION				
<div style="display: flex; justify-content: space-around; align-items: center;"> <div style="border: 1px solid black; padding: 2px 5px;">K</div> <div style="border: 1px solid black; padding: 2px 5px;">3</div> <div style="border: 1px solid black; padding: 2px 5px;">0</div> <div style="border: 1px solid black; padding: 2px 5px;">2</div> <div style="border: 1px solid black; padding: 2px 5px;">X</div> <div style="border: 1px solid black; padding: 2px 5px;">P</div> <div style="border: 1px solid black; padding: 2px 5px;">G</div> </div> <p style="text-align: center;">PART NUMBER                      TRIGGER CURRENT BIN                      PACKAGE OPTION</p>	<p style="text-align: center;">DIP-6 7.62 mm</p>	<p style="text-align: center;">G leadform 10.16 mm</p>		
AGENCY CERTIFIED/PACKAGE	TRIGGER CURRENT, I <sub>FT</sub>			
VDE, cUL, BSI	5 mA	10 mA	15 mA	30 mA
DIP-6	K3023P	K3022P	K3021P	K3020P
DIP-6, 400 mil	K3023PG	K3022PG	K3021PG	K3020PG

### Note

- Additional options may be possible, please contact sales office.



ABSOLUTE MAXIMUM RATINGS (T <sub>amb</sub> = 25 °C, unless otherwise specified)				
PARAMETER	TEST CONDITION	SYMBOL	VALUE	UNIT
<b>INPUT</b>				
Reverse voltage		V <sub>R</sub>	5	V
Forward current		I <sub>F</sub>	80	mA
Surge current	P.W. < 10 μs	I <sub>FSM</sub>	3	A
Power dissipation		P <sub>diss</sub>	100	mW
Junction temperature		T <sub>j</sub>	100	°C
<b>OUTPUT</b>				
Peak off-state voltage		V <sub>DRM</sub>	400	V
On-state RMS current		I <sub>D(RMS)</sub>	100	mA
Peak surge current	t <sub>p</sub> ≤ 10 ms	I <sub>FSM</sub>	1.5	A
Power dissipation		P <sub>diss</sub>	300	mW
Junction temperature		T <sub>j</sub>	100	°C
<b>COUPLER</b>				
Total power dissipation		P <sub>tot</sub>	350	mW
Storage temperature range		T <sub>stg</sub>	-55 to +150	°C
Ambient temperature		T <sub>amb</sub>	-55 to +100	°C
Junction temperature		T <sub>j</sub>	100	°C
Lead soldering temperature	2 mm from case, t < 10 s	T <sub>slid</sub>	260	°C

**Note**

- Stresses in excess of the absolute maximum ratings can cause permanent damage to the device. Functional operation of the device is not implied at these or any other conditions in excess of those given in the operational sections of this document. Exposure to absolute maximum ratings for extended periods of the time can adversely affect reliability.

ELECTRICAL CHARACTERISTICS (T <sub>amb</sub> = 25 °C, unless otherwise specified)							
PARAMETER	TEST CONDITION	PART	SYMBOL	MIN.	TYP.	MAX.	UNIT
<b>INPUT</b>							
Forward voltage	I <sub>F</sub> = 50 mA		V <sub>F</sub>	-	1.3	1.6	V
Reverse voltage	I <sub>R</sub> = 10 μA		V <sub>R</sub>	5	-	-	V
Junction capacitance	V <sub>R</sub> = 0 V, f = 1 MHz		C <sub>j</sub>	-	50	-	pF
<b>OUTPUT</b>							
Forward peak off-state voltage (repetitive)	I <sub>DRM</sub> = 100 nA		V <sub>DRM</sub> <sup>(1)</sup>	400	-	-	V
Peak on-state voltage	I <sub>TM</sub> = 100 mA		V <sub>TM</sub>	-	1.5	3	V
Critical rate of rise of off-state voltage	I <sub>F</sub> = 0 A, V <sub>D</sub> = 0.67 V <sub>DRM</sub>		dV/dt <sub>cr</sub>	-	10	-	V/μs
Critical rate of rise of on-state current commutation	V <sub>D</sub> = 30 V <sub>RMS</sub> , I <sub>D</sub> = 15 mA <sub>RMS</sub>		dV/dt <sub>crq</sub>	0.1	0.15	-	V/μs
<b>COUPLER<sup>(2)</sup></b>							
Emitting diode trigger current	V <sub>S</sub> = 3 V, R <sub>L</sub> = 150 Ω	K3020P	I <sub>FT</sub>	-	15	30	mA
		K3020PG	I <sub>FT</sub>	-	15	30	mA
		K3021P	I <sub>FT</sub>	-	8	15	mA
		K3021PG	I <sub>FT</sub>	-	8	15	mA
		K3022P	I <sub>FT</sub>	-	5	10	mA
		K3022PG	I <sub>FT</sub>	-	5	10	mA
		K3023P	I <sub>FT</sub>	-	3	5	mA
K3023PG	I <sub>FT</sub>	-	3	5	mA		
Holding current	I <sub>F</sub> = 10 mA, V <sub>S</sub> ≥ 3 V		I <sub>H</sub>	-	200	-	μA

**Notes**

- Minimum and maximum values are testing requirements. Typical values are characteristics of the device and are the result of engineering evaluation. Typical values are for information only and are not part of the testing requirements.
- <sup>(1)</sup> Test voltage must be applied within dV/dt ratings.
- <sup>(2)</sup> I<sub>FT</sub> is defined as a minimum trigger current.

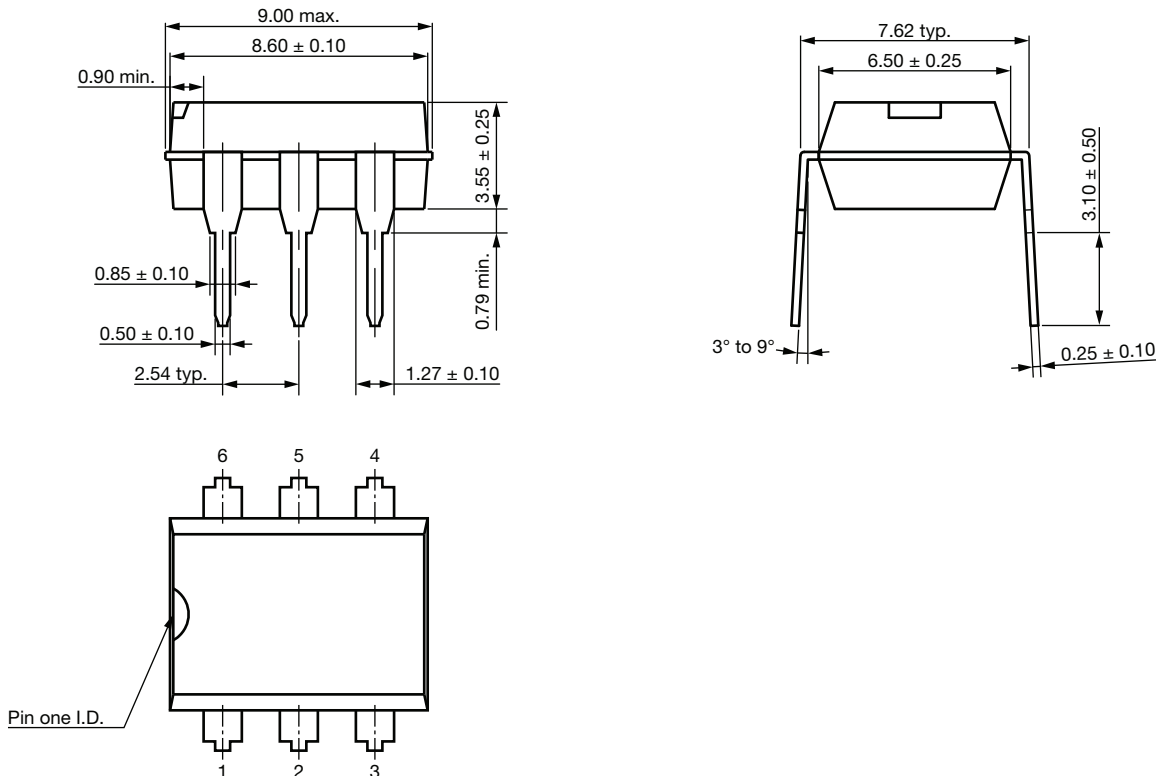
SAFETY AND INSULATION RATINGS				
PARAMETER	TEST CONDITION	SYMBOL	VALUE	UNIT
Climatic classification	According to IEC 68 part 1		55 / 100 / 21	
Pollution degree	According to DIN VDE 0109		2	
Comparative tracking index	Insulation group IIIa	CTI	175	
Maximum rated withstanding isolation voltage	According to UL1577, t = 1 min	$V_{ISO}$	4420	$V_{RMS}$
Tested withstanding isolation voltage	According to UL1577, t = 1 s	$V_{ISO}$	5300	$V_{RMS}$
Maximum transient isolation voltage	According to DIN EN 60747-5-5	$V_{IOTM}$	8000	$V_{peak}$
Maximum repetitive peak isolation voltage	According to DIN EN 60747-5-5	$V_{IORM}$	890	$V_{peak}$
Isolation resistance	$V_{IO} = 500\text{ V}, T_{amb} = 25\text{ }^{\circ}\text{C}$	$R_{IO}$	$\geq 10^{12}$	$\Omega$
	$V_{IO} = 500\text{ V}, T_{amb} = 100\text{ }^{\circ}\text{C}$	$R_{IO}$	$\geq 10^{11}$	$\Omega$
Output safety power		$P_{SO}$	265	mW
Input safety current		$I_{SI}$	130	mA
Input safety temperature		$T_S$	150	$^{\circ}\text{C}$
Creepage distance	DIP-6		$\geq 7$	mm
Clearance distance			$\geq 7$	mm
Creepage distance	DIP-6, 400 mil		$\geq 8$	mm
Clearance distance			$\geq 8$	mm
Insulation thickness		DTI	$\geq 0.4$	mm
Input to output test voltage, method A	$V_{IORM} \times 1.6 = V_{PR}$ , 100 % sample test with $t_M = 10\text{ s}$ , partial discharge $< 5\text{ pC}$	$V_{PR}$	1424	$V_{peak}$

**Note**

- As per IEC 60747-5-5, § 7.4.3.8.2, this optocoupler is suitable for “safe electrical insulation” only within the safety ratings. Compliance with the safety ratings shall be ensured by means of protective circuits.

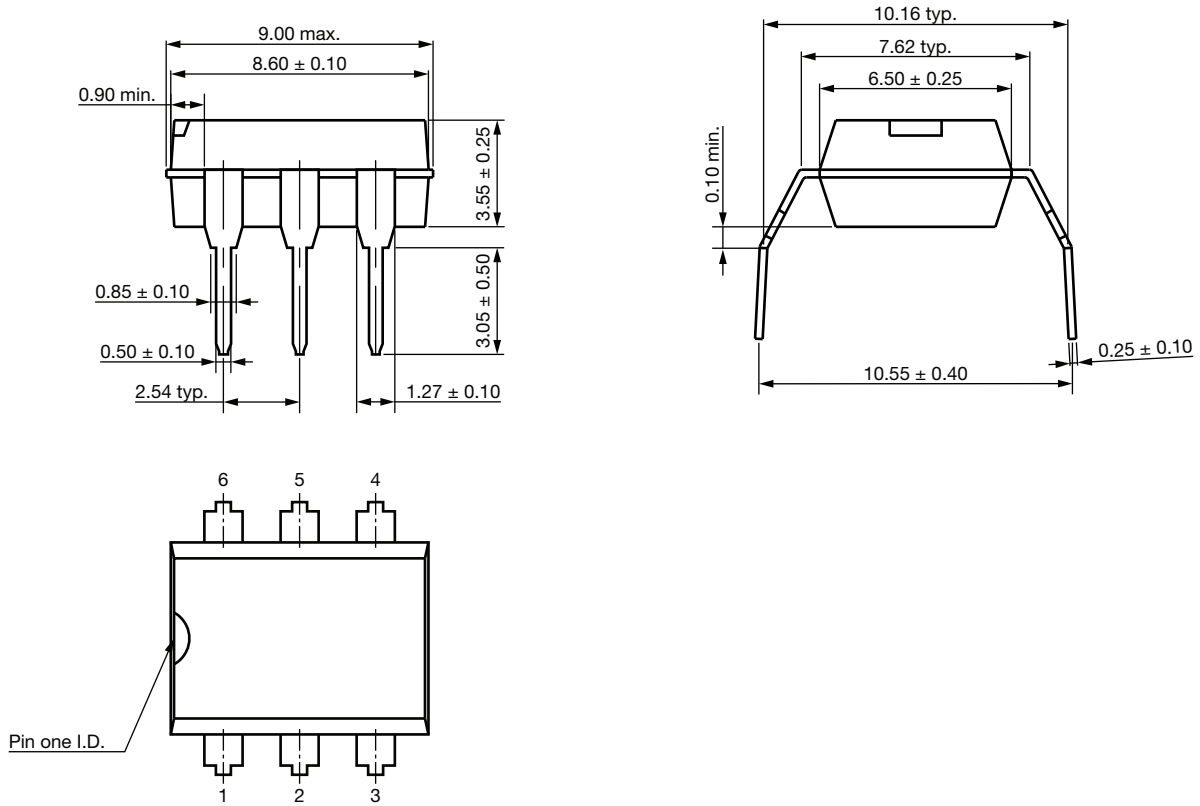
**PACKAGE DIMENSIONS** (in millimeters)

**DIP-6**





DIP-6, 400 mil



### PACKAGE MARKING

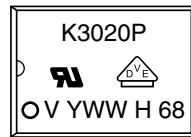


Fig. 1 - Example of K3020P

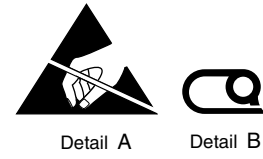
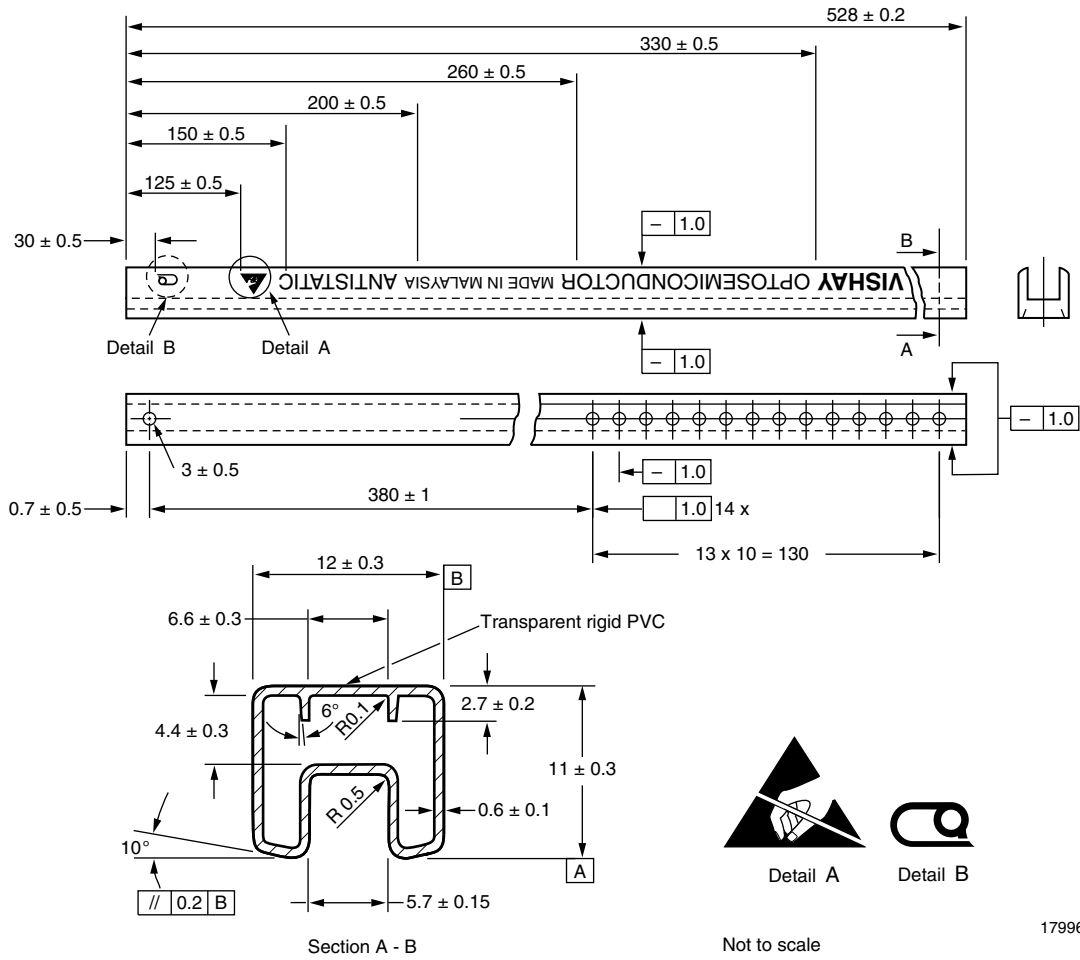
### Notes

- The “G” of the G leadform type is not marked on the body.
- The VDE logo is only marked on p1on1 parts.



### PACKAGING INFORMATION (in millimeters)

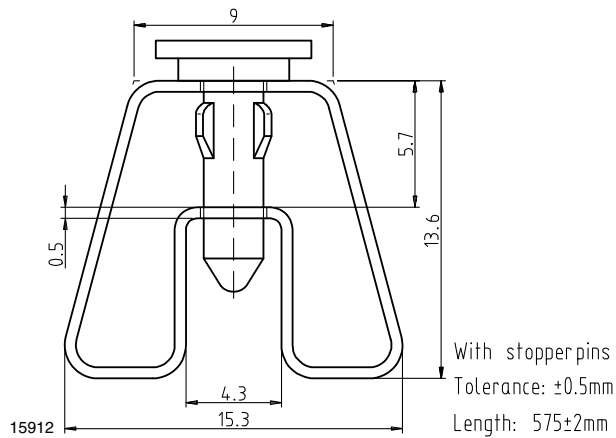
#### DIP-6



Not to scale

17996

#### DIP-6, 400 mil





## SHIPPING INFORMATION

DEVICES PER TUBS			
TYPE	UNITS/TUBE	TUBES/BOX	UNITS/BOX
DIP-6	50	40	2000

## SOLDER PROFILES

## HANDLING AND STORAGE CONDITIONS

ESD level: HBM class 2

Floor life: unlimited

Conditions:  $T_{amb} < 30\text{ }^{\circ}\text{C}$ , RH < 85 %

Moisture sensitivity level 1, according to J-STD-020

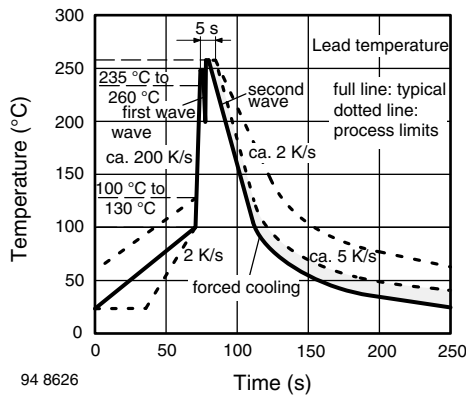


Fig. 2 - Wave Soldering Double Wave Profile According to J-STD-020 for DIP Devices



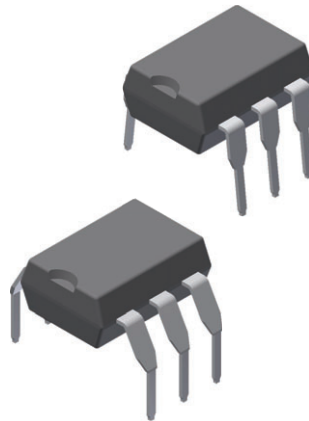
## Footprint and Schematic Information for K3020, K3021, K3022, K3023

The footprint and schematic symbols for the following parts can be accessed using the associated links. They are available in Eagle, Altium, KiCad, OrCAD / Allegro, Pulsonix, and PADS.

Note that the 3D models for these parts can be found on the Vishay product page.

PART NUMBER	FOOTPRINT / SCHEMATIC
K3020P	<a href="http://www.snapeda.com/parts/K3020P/Vishay/view-part">www.snapeda.com/parts/K3020P/Vishay/view-part</a>
K3020PG	<a href="http://www.snapeda.com/parts/K3020PG/Vishay/view-part">www.snapeda.com/parts/K3020PG/Vishay/view-part</a>
K3021P	<a href="http://www.snapeda.com/parts/K3021P/Vishay/view-part">www.snapeda.com/parts/K3021P/Vishay/view-part</a>
K3021PG	<a href="http://www.snapeda.com/parts/K3021PG/Vishay/view-part">www.snapeda.com/parts/K3021PG/Vishay/view-part</a>
K3022P	<a href="http://www.snapeda.com/parts/K3022P/Vishay/view-part">www.snapeda.com/parts/K3022P/Vishay/view-part</a>
K3022PG	<a href="http://www.snapeda.com/parts/K3022PG/Vishay/view-part">www.snapeda.com/parts/K3022PG/Vishay/view-part</a>
K3023P	<a href="http://www.snapeda.com/parts/K3023P/Vishay/view-part">www.snapeda.com/parts/K3023P/Vishay/view-part</a>
K3023PG	<a href="http://www.snapeda.com/parts/K3023PG/Vishay/view-part">www.snapeda.com/parts/K3023PG/Vishay/view-part</a>

For technical issues and product support, please contact [optocoupleranswers@vishay.com](mailto:optocoupleranswers@vishay.com).





## **Disclaimer**

ALL PRODUCT, PRODUCT SPECIFICATIONS AND DATA ARE SUBJECT TO CHANGE WITHOUT NOTICE TO IMPROVE RELIABILITY, FUNCTION OR DESIGN OR OTHERWISE.

Vishay Intertechnology, Inc., its affiliates, agents, and employees, and all persons acting on its or their behalf (collectively, "Vishay"), disclaim any and all liability for any errors, inaccuracies or incompleteness contained in any datasheet or in any other disclosure relating to any product.

Vishay makes no warranty, representation or guarantee regarding the suitability of the products for any particular purpose or the continuing production of any product. To the maximum extent permitted by applicable law, Vishay disclaims (i) any and all liability arising out of the application or use of any product, (ii) any and all liability, including without limitation special, consequential or incidental damages, and (iii) any and all implied warranties, including warranties of fitness for particular purpose, non-infringement and merchantability.

Statements regarding the suitability of products for certain types of applications are based on Vishay's knowledge of typical requirements that are often placed on Vishay products in generic applications. Such statements are not binding statements about the suitability of products for a particular application. It is the customer's responsibility to validate that a particular product with the properties described in the product specification is suitable for use in a particular application. Parameters provided in datasheets and / or specifications may vary in different applications and performance may vary over time. All operating parameters, including typical parameters, must be validated for each customer application by the customer's technical experts. Product specifications do not expand or otherwise modify Vishay's terms and conditions of purchase, including but not limited to the warranty expressed therein.

Except as expressly indicated in writing, Vishay products are not designed for use in medical, life-saving, or life-sustaining applications or for any other application in which the failure of the Vishay product could result in personal injury or death. Customers using or selling Vishay products not expressly indicated for use in such applications do so at their own risk. Please contact authorized Vishay personnel to obtain written terms and conditions regarding products designed for such applications.

No license, express or implied, by estoppel or otherwise, to any intellectual property rights is granted by this document or by any conduct of Vishay. Product names and markings noted herein may be trademarks of their respective owners.