



PRODUCT DATASHEET

Eva series

last update 20/12/2012

DETAILS

Product Number	CP12200_EVA-WW
Family	Eva
Type	Assembly
Color	black
Diameter	37,7 mm
Height	17 mm
Style	round
Optic Material	PMMA
Holder Material	
Fastening	screw, glue
Status	production ready
ROHS Compliant	Yes
Date Updated	20/12/2012



OPTICAL PROPERTIES

LED	Viewing Angle	Light Beam	Efficiency	cd/lm	Connector
XM-L	64 deg	Very Wide	77 %	-	-

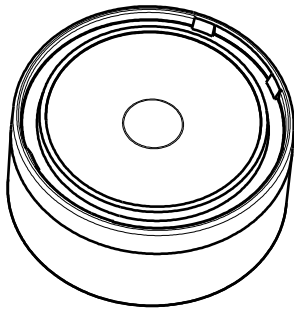
D

C

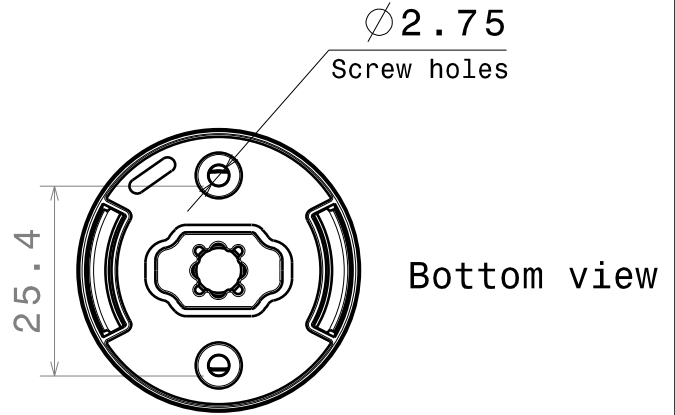
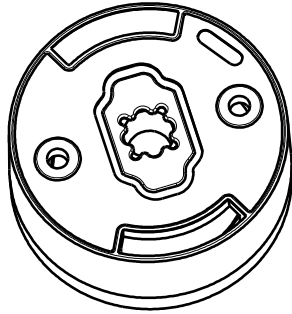
B

A

4

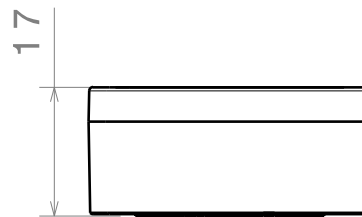


Isometric view



Bottom view

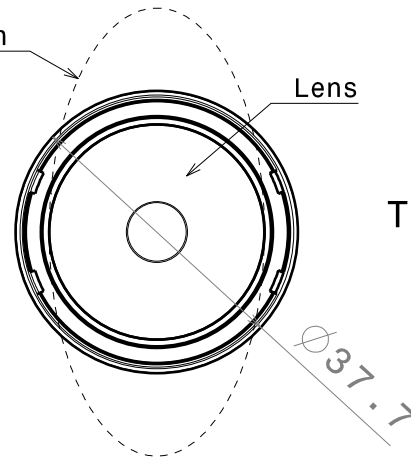
3



Front view

2

Oval beam direction



Top view

Materials:
 Lens PMMA
 Holder PC, BLACK

This drawing is our property.
 It can't be reproduced
 or communicated without
 our written agreement.



Ledil Oy
 Tehdaskatu 13
 FIN-24100 SALO
 Finland

DRAWING TITLE

Datasheet EVA-XM Assembly

DRAWN BY

mav

DATE

12.04.2012

CHECKED BY

sn

DATE

12.04.2012

SIZE

A4

DRAWING NUMBER

-

REV

1.0

DESIGNED BY

p1

DATE

17.02.2011

SCALE

2:1

WEIGHT (g)

SHEET

1/1

D

A

1

1

NOTE: The typical divergence will be changed by different color, chip size and chip position tolerance. The typical total divergence is the full angle measured where the luminous intensity is half of the peak value.