

**Product number C10754\_CUTE-3-SS**

Family	Cute	FWHM	(simulated) 19
Type	Lens array	Efficiency	87 %
LED	XM-L HVW	cd/lm	-
Color	Clear	Gerber File	Available
Diameter	35 mm	Pin height 3mm	
Height	15 mm		
Style	Round		
Optic Material	PMMA		
Holder Material	-		
Fastening	["glue", "pin"]		
Status	Production ready		

**Product number C10755\_CUTE-3-M**

Family	Cute	FWHM	(simulated) 33
Type	Lens array	Efficiency	84 %
LED	XM-L HVW	cd/lm	-
Color	Clear	Gerber File	Available
Diameter	35 mm	Location Pin total height 3mm.	
Height	15 mm		
Style	Round		
Optic Material	PMMA		
Holder Material	-		
Fastening	["glue", "pin"]		
Status	Production ready		

**Product number C10756\_CUTE-3-W**

Family	Cute	FWHM	(simulated) 41
Type	Lens array	Efficiency	87 %
LED	XM-L HVW	cd/lm	-
Color	Clear	Gerber File	Available
Diameter	35 mm	Location pin height 1.5mm	
Height	15 mm		
Style	Round		
Optic Material	PMMA		
Holder Material	-		
Fastening	["glue", "pin"]		
Status	Production ready		

**Product number C11333\_CUTE-3-SS**

Family	Cute	FWHM	(simulated) 19
Type	Lens array	Efficiency	87 %
LED	XM-L HVW	cd/lm	-
Color	Clear	Gerber File	Available
Diameter	35 mm		
Height	15 mm		
Style	Round		
Optic Material	PMMA		
Holder Material	-		
Fastening	["pin", "glue"]		
Status	Production ready		

**Product number** C11334\_CUTE-3-M

Family	Cute	FWHM	(simulated) 33
Type	Lens array	Efficiency	84 %
LED	XM-L HVW	cd/lm	-
Color	Clear	Gerber File	Available
Diameter	35 mm		
Height	15 mm		
Style	Round		
Optic Material	PMMA		
Holder Material	-		
Fastening	["pin", "glue"]		
Status	Production ready		

**NOTE: The typical divergence will be changed by different color, chip size and chip position tolerance. The typical total divergence is the full angle measured where the luminous intensity is half of the peak value.**



## PRODUCT DATASHEET

### Cute series

last update 7/3/2014

#### GENERAL INFORMATION

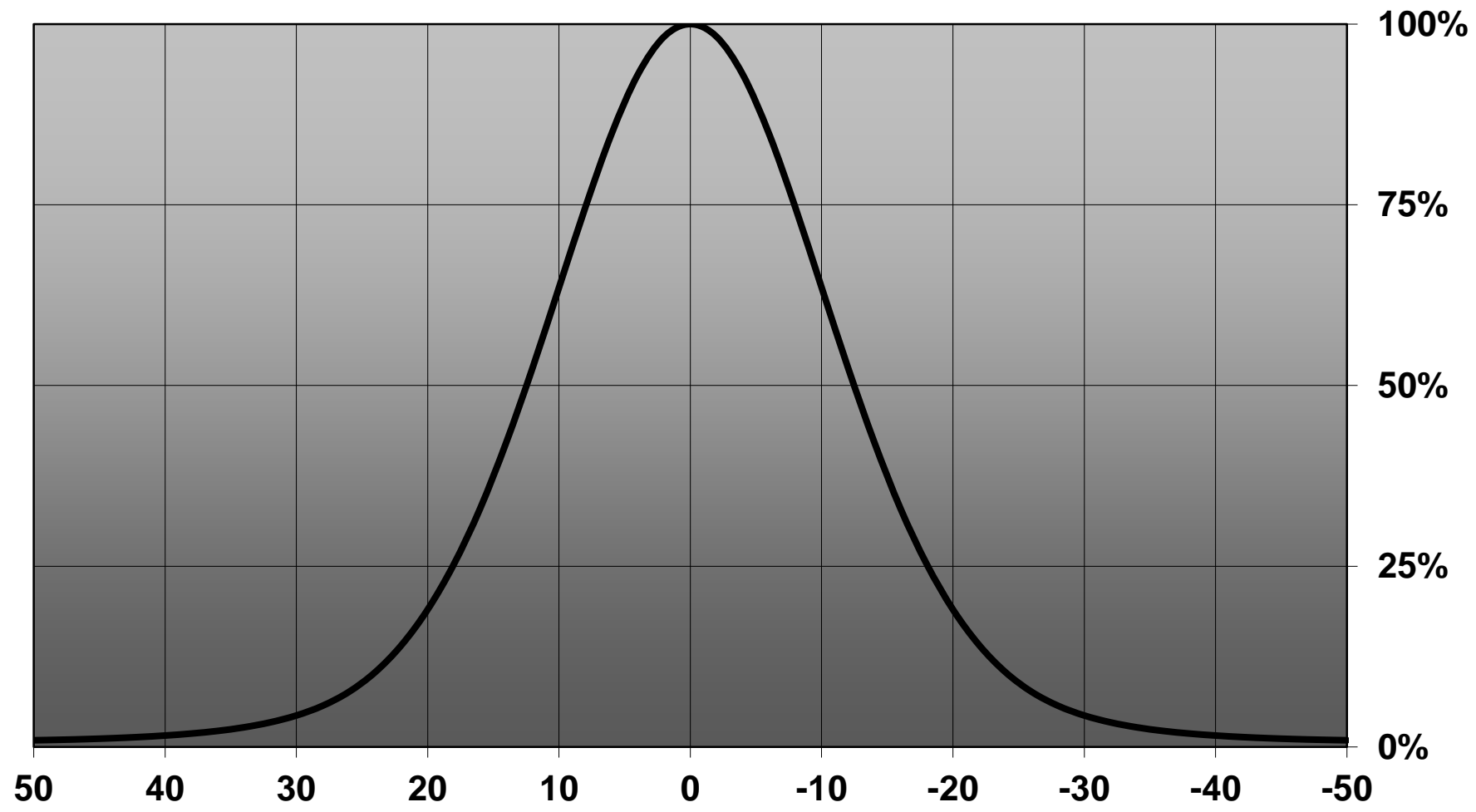
- Product series especially designed & optimized for XM-L HVW series of LEDs.
- Special care taken to make light distribution as uniform as possible.
- Lens material optical grade PMMA with high UV and temperature resistance. Allows use of high current and temperature conditions.

Please find more information about used material from below:

[http://ledil.fi/sites/default/files/Documents/Technical/Material/PMMA%20N%20UL94\\_Yellow%20Card.pdf](http://ledil.fi/sites/default/files/Documents/Technical/Material/PMMA%20N%20UL94_Yellow%20Card.pdf)

<http://ledil.fi/sites/default/files/Documents/Technical/Material/PMMA%20N%20PLEXIGLAS-Datasheet.pdf>

Relative intensity of C11334\_Cute-3-M-XM



D

C

B

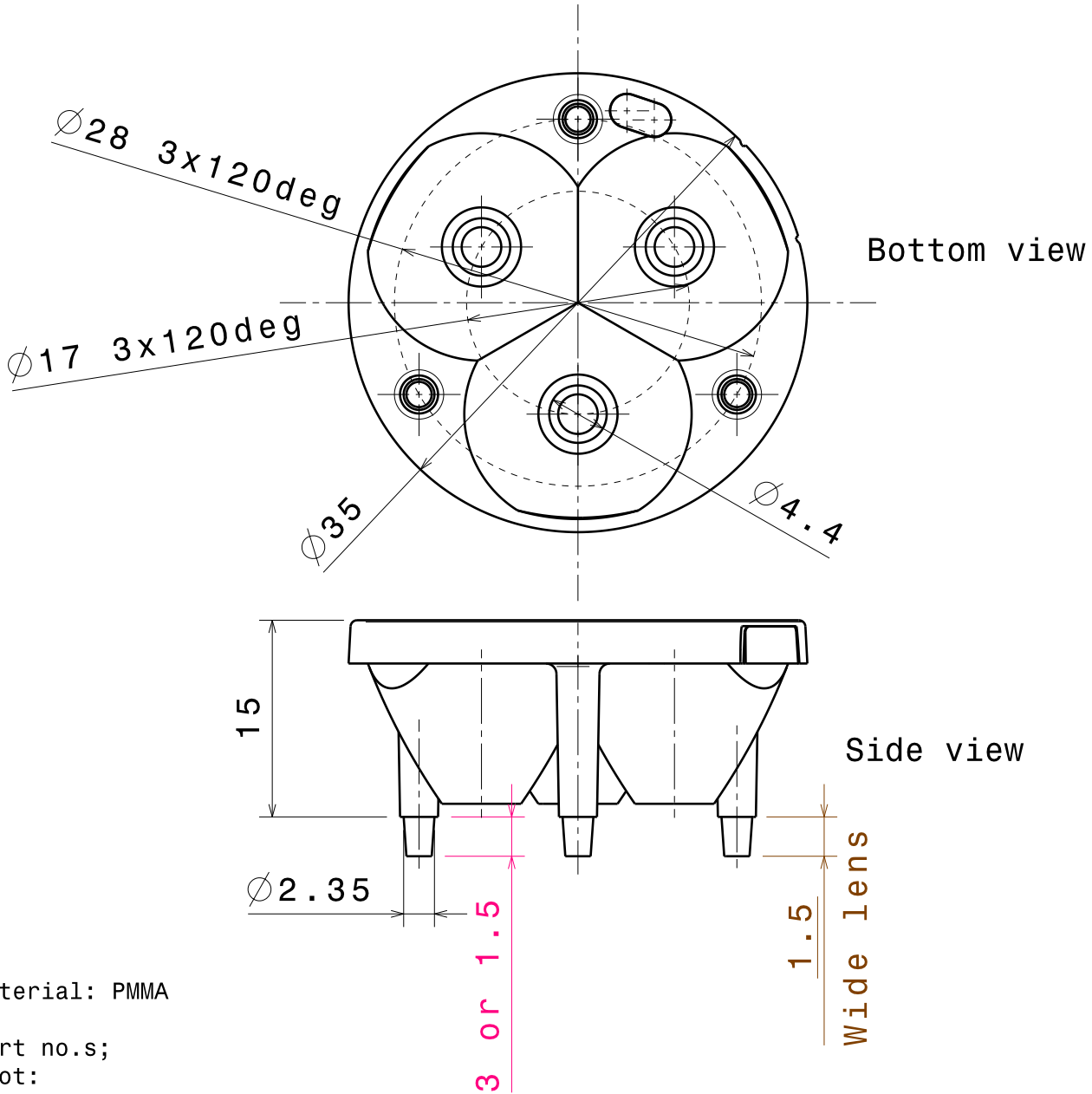
A

4

3

2

1



Material: PMMA

Part no.s;  
 Spot:  
 C10754\_Cute-3-SS  
 C11333\_Cute-3-SS, pin head length =1.5mm  
 Medium:  
 C10755\_Cute-3-M  
 C11334\_Cute-3-M, pin head length =1.5mm  
 Wide:  
 C10756\_Cute-3-W

This drawing is our property.  
 It can't be reproduced  
 or communicated without  
 our written agreement.



Ledil Oy  
 Tehdaskatu 13  
 FIN-24100 SALO  
 Finland

DRAWING TITLE  
**Datasheet Cute-3 Lens Series**

<b>DRAWN BY</b> pv	<b>DATE</b> 08.02.2010
<b>CHECKED BY</b> TK	<b>DATE</b> 09.09.2008
<b>DESIGNED BY</b> HH	<b>DATE</b> 09.09.2008

<b>SIZE</b> A4	<b>DRAWING NUMBER</b>	<b>REV</b> 1
<b>SCALE</b> 2:1	<b>WEIGHT (g)</b>	<b>SHEET</b> 1/1

D

A

1